

# FUTEK MODEL LCF400 (L2920)

# TENSION AND COMPRESSION LOAD CELL REPLACEMENT FOR LEBOW MODEL 3132

Drawing Number: FI1043-D

INCH [mm] | R.O.= Rated Output

WIRING CODE (CC1 STANDARD / CC1T)

+Excitation	-Excitation	+Signal	-Signal
RED PIN 'A'	BLACK PIN 'B'	GREEN PIN 'C'	WHITE PIN 'D'

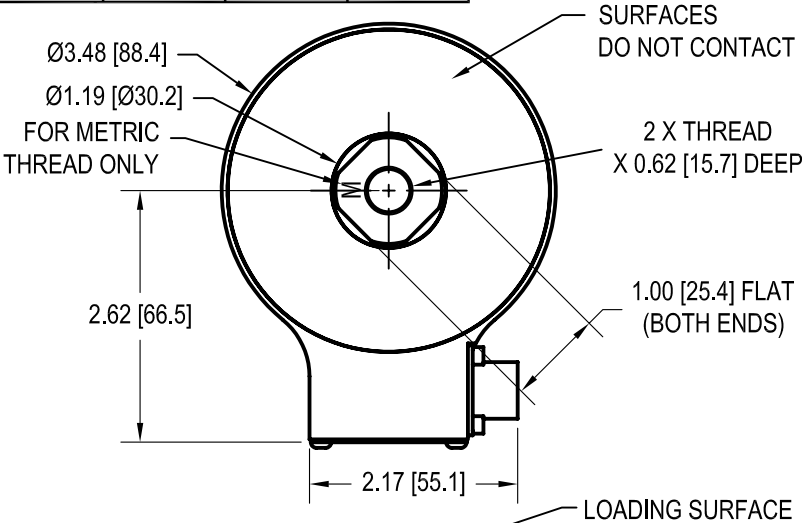
+Sense/ TEDS Data\* -Sense/ TEDS Gnd\*

ORANGE PIN 'E'	BLUE PIN 'F'
-------------------	-----------------

\*TEDS VERSIONS ONLY

WIRING CODE (CC2) OPTIONAL

+Excitation	-Excitation	+Signal	-Signal
RED PIN 'A'	BLACK PIN 'D'	GREEN PIN 'B'	WHITE PIN 'C'

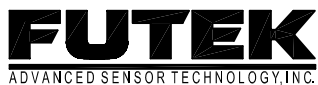


## SPECIFICATIONS:

- RATED OUTPUT: 3 mV/V nom., (1.5 mV/V nom. for 250 lb versions)
- SAFE OVERLOAD: 150% of R.O.
- ZERO BALANCE: ±1% of R.O.
- EXCITATION (VDC OR VAC): 18 MAX
- BRIDGE RESISTANCE: 700Ω nom.
- NONLINEARITY: ±0.1% of R.O.
- HYSTERESIS: ±0.1% of R.O.
- NONREPEATABILITY: ±0.05% of R.O.
- TEMP. SHIFT ZERO: ±0.002% of R.O./°F [0.0036% of R.O./°C]
- TEMP. SHIFT SPAN: ±0.002% of LOAD/°F [0.0036% of LOAD/°C]
- COMPENSATED TEMP.: 60 to 160°F [15 to 71°C]
- OPERATING TEMP.: -65 to 200°F [-54 to 93°C]
- WEIGHT: approx. 3 lb [1.4 Kg]
- MATERIAL: Stainless Steel
- DEFLECTION: 0.002 to 0.005 [0.05 to 0.13] nom.
- CONNECTOR: 6 Pin BENDIX Receptacle (PT02A-10-6P)
- ACCESSORIES AND RELATED INSTRUMENTS AVAILABLE
- CALIBRATION (STD): 5pt. TENSION; 87.325KΩ (150 KΩ for 250 lb) SHUNT CAL. VALUE
- CALIBRATION (AVAILABLE): COMPRESSION
- CALIBRATION TEST EXCITATION: 10 VDC

ITEM #	Capacity		Thread	Wiring Code	
	lb	N		CC1	CC2
FSH03313	250	1112	1/2-20	X	
FSH03316					X
FSH03122	500	2224		X	
FSH00120					X
FSH03123	1000	4448		X	
FSH00121					X
FSH03125	2500	11120		X	
FSH03053					X
FSH03124	5000	22240		X	
FSH00124					X
FSH03314	250	1112	M12x1.75	X	
FSH03130	500	2224		X	
FSH03131	1000	4448		X	
FSH03133	2500	11120		X	
FSH03132	5000	22240		X	

CC1T (TEDS) WIRING CONNECTION AVAILABLE



This drawing is submitted solely for the information and exclusive use of the original addressee. It is not to be divulged in whole or in part, by any firm or individual without written permission from FUTEK

CAGE CODE # 1X8M6

10 THOMAS  
IRVINE, CA 92618 USA  
1-800-23-FUTEK (38835)

INTERNET:  
<http://www.futek.com>