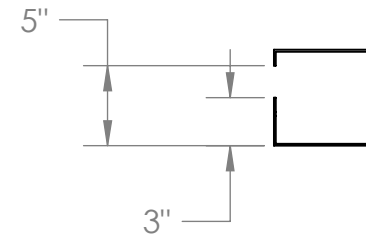
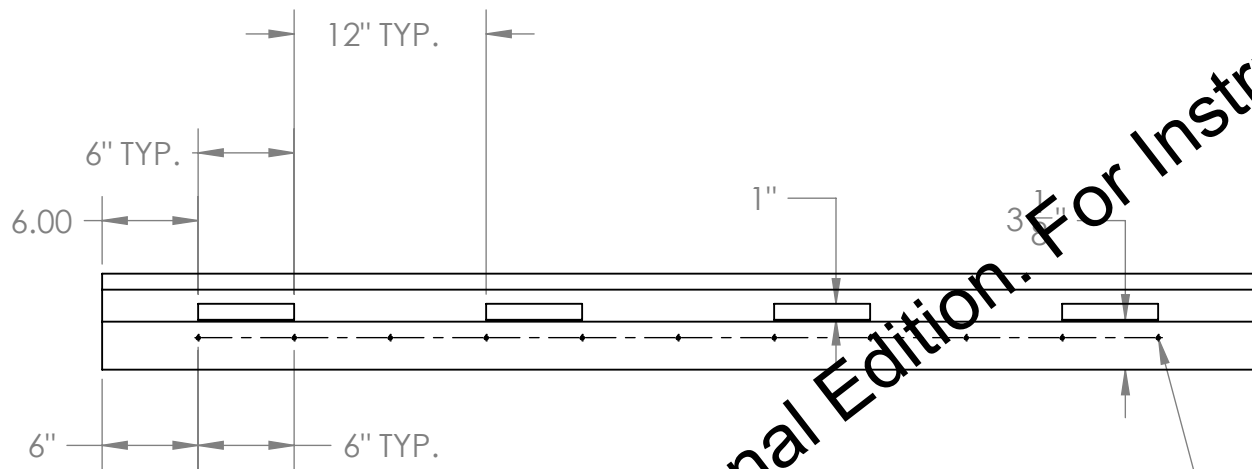
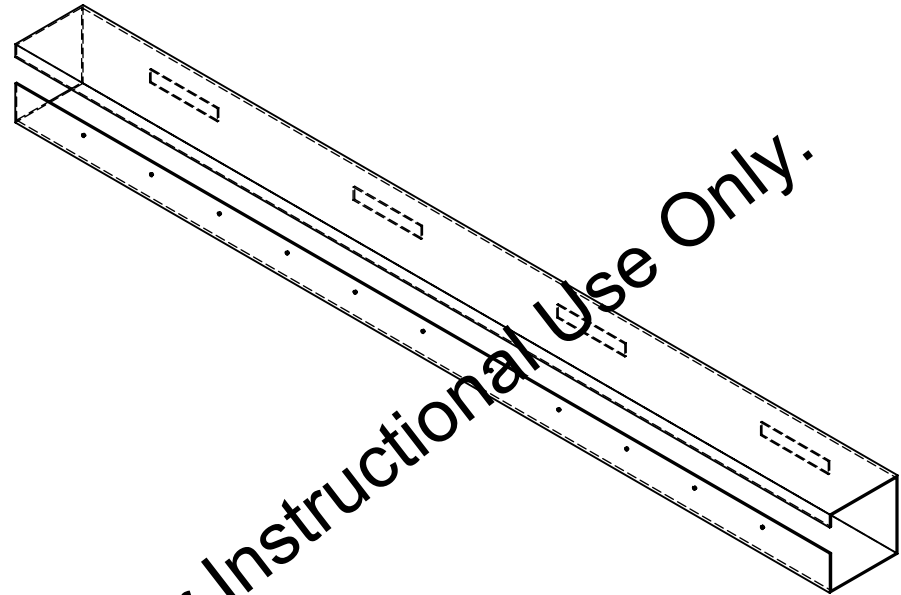


ITEM NO.	PART NUMBER	DESCRIPTION	QTY.
1	Main Trough	6" x 6" x .125" x 72" Long Box Beam	1
2	Adjustment Block	1" x 1" x 1" L.C.S.	11
3	End Plate	6.5" x 6.25" x 1/8" Alloy	1
4	Hose Inlet	6.5" x 6.25" x 1/8" Alloy	1
5	I-Beam	3" x 2.33" x .17" x 84" Ang	1
6	end pipe	2" ID x 48" Long Alloy Pipe	2
7	Support Pipe	1.5" ID x 48" Long Alloy Pipe	4
8	Base	132" x 30" x 1" Wood	1
9	Catch Trough Side	132" x 12" x 1/2" Wood	2
10	Catch Trough End	29" x 12" x 1/2" Wood	2
11	Welding Mount	6" x 4" x 1/4" Alloy Plate	6
12	Catch Trough Side Support		5
13	Overflow Catch		1

PROPRIETARY AND CONFIDENTIAL
 THE INFORMATION CONTAINED IN THIS DRAWING IS THE SOLE PROPERTY OF <INSERT COMPANY NAME HERE>. ANY REPRODUCTION IN PART OR AS A WHOLE WITHOUT THE WRITTEN PERMISSION OF <INSERT COMPANY NAME HERE> IS PROHIBITED.

		UNLESS OTHERWISE SPECIFIED:	NAME	DATE	TITLE:
		DIMENSIONS ARE IN INCHES	DRAWN		
		TOLERANCES:	CHECKED		
		FRACTIONAL ±	ENG APPR.		
		ANGULAR: MACH ± BEND ±	MFG APPR.		
		TWO PLACE DECIMAL ±	Q.A.		SIZE DWG. NO. REV A Water Falls New Media
		THREE PLACE DECIMAL ±	COMMENTS:		
NEXT ASSY	USED ON	INTERPRET GEOMETRIC TOLERANCING PER:			SCALE: 1:16
APPLICATION		MATERIAL			WEIGHT: 300 lbs
		FINISH			SHEET 1 OF 8
		DO NOT SCALE DRAWING			



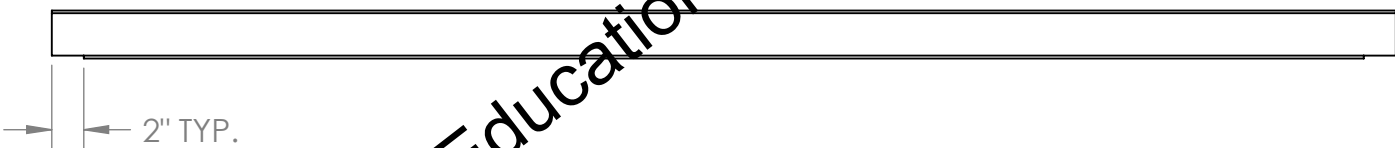
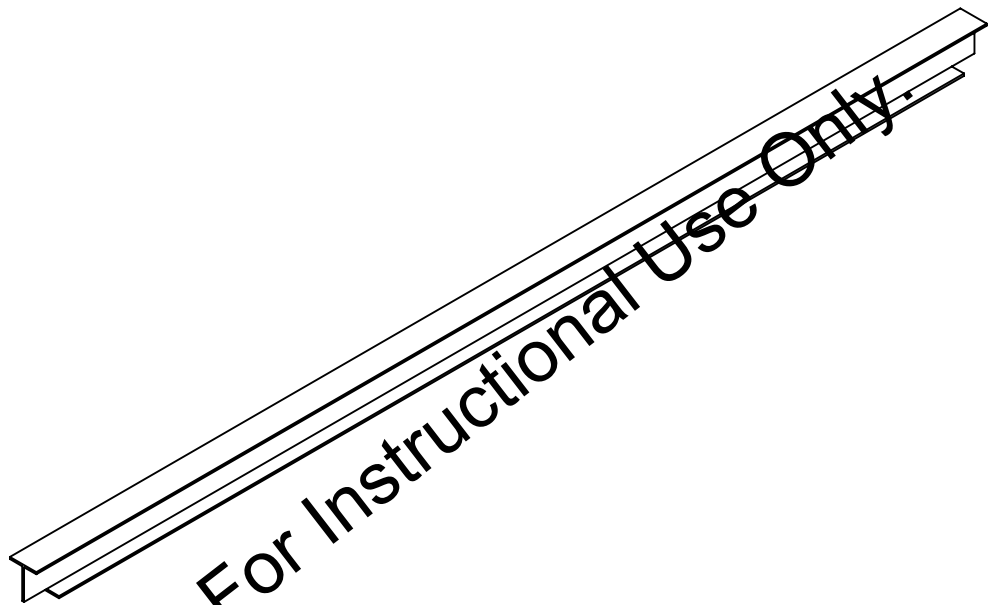
11 X ϕ .20 ∇ 5.88
 1/4-20 UNC ∇ .50

SolidWorks Educational Edition. For Instructional Use Only.

PROPRIETARY AND CONFIDENTIAL
 THE INFORMATION CONTAINED IN THIS DRAWING IS THE SOLE PROPERTY OF <INSERT COMPANY NAME HERE>. ANY REPRODUCTION IN PART OR AS A WHOLE WITHOUT THE WRITTEN PERMISSION OF <INSERT COMPANY NAME HERE> IS PROHIBITED.

		UNLESS OTHERWISE SPECIFIED:	NAME	DATE
		DIMENSIONS ARE IN INCHES	DRAWN	
		TOLERANCES:	CHECKED	
		FRACTIONAL \pm	ENG APPR.	
		ANGULAR: MACH \pm BEND \pm	MFG APPR.	
		TWO PLACE DECIMAL \pm	Q.A.	
		THREE PLACE DECIMAL \pm	COMMENTS:	
NEXT ASSY	USED ON	INTERPRET GEOMETRIC TOLERANCING PER:		
		MATERIAL		
		FINISH		
APPLICATION		DO NOT SCALE DRAWING		

TITLE:		
6" x 6" x .125" x 72" Long Box Beam		
SIZE	DWG. NO.	REV
A	Water Falls New Medica	
SCALE: 1:24	WEIGHT:	SHEET 2 OF 8



I

SolidWorks Educational Edition. For Instructional Use Only.

PROPRIETARY AND CONFIDENTIAL
 THE INFORMATION CONTAINED IN THIS DRAWING IS THE SOLE PROPERTY OF <INSERT COMPANY NAME HERE>. ANY REPRODUCTION IN PART OR AS A WHOLE WITHOUT THE WRITTEN PERMISSION OF <INSERT COMPANY NAME HERE> IS PROHIBITED.

		UNLESS OTHERWISE SPECIFIED:		NAME	DATE	TITLE: 3" x 2.33" x .17" x 84" Long
		DIMENSIONS ARE IN INCHES	DRAWN			
		TOLERANCES: FRACTIONAL ±	CHECKED			
		ANGULAR: MACH ± BEND ±	ENG APPR.			
		TWO PLACE DECIMAL ±	MFG APPR.			
		THREE PLACE DECIMAL ±	Q.A.			SIZE DWG. NO. REV A Water Falls New Medic
		INTERPRET GEOMETRIC TOLERANCING PER:	COMMENTS:			
NEXT ASSY	USED ON	MATERIAL				
		FINISH				SCALE: 1:24 WEIGHT: SHEET 3 OF 8
	APPLICATION	DO NOT SCALE DRAWING				

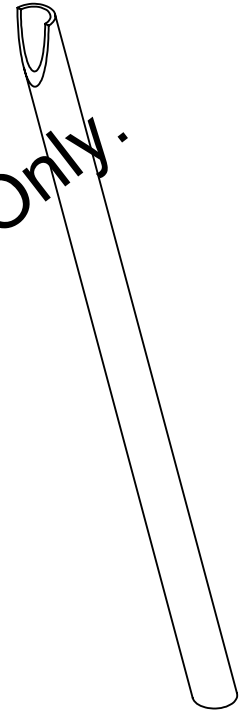
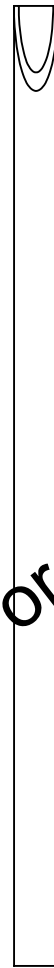
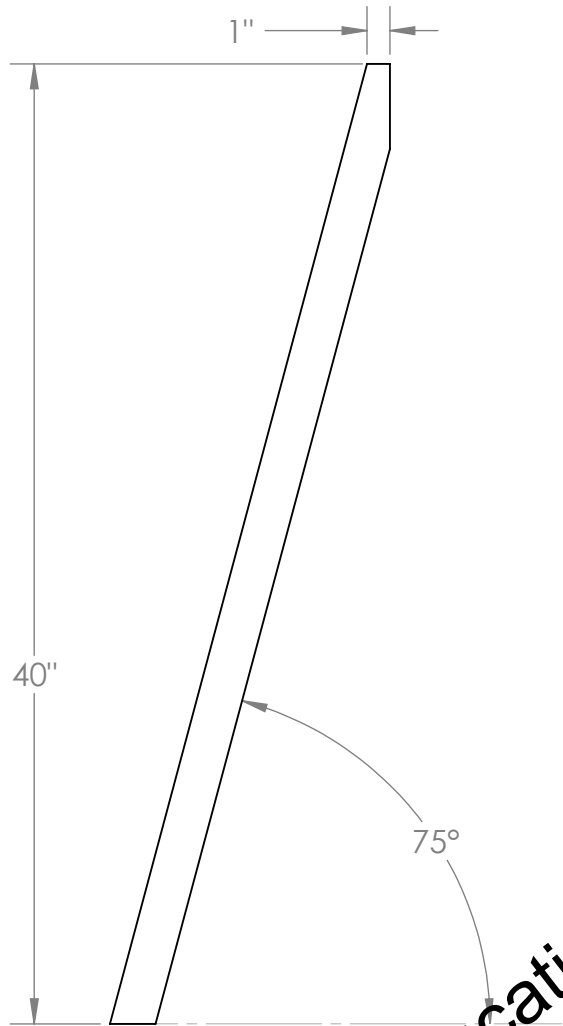
5

4

3

2

1

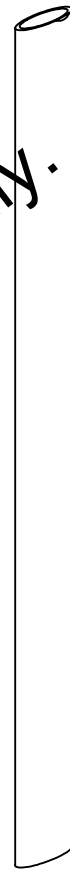
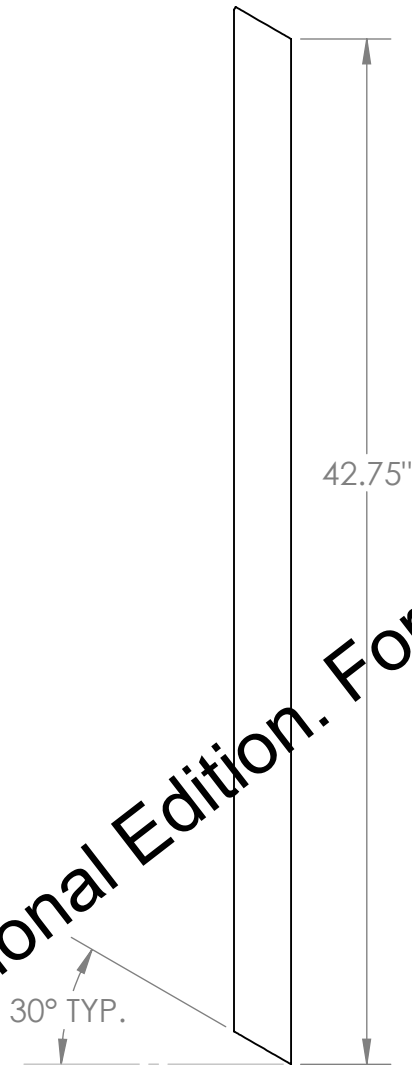


SolidWorks Educational Edition. For Instructional Use Only.

PROPRIETARY AND CONFIDENTIAL
 THE INFORMATION CONTAINED IN THIS DRAWING IS THE SOLE PROPERTY OF <INSERT COMPANY NAME HERE>. ANY REPRODUCTION IN PART OR AS A WHOLE WITHOUT THE WRITTEN PERMISSION OF <INSERT COMPANY NAME HERE> IS PROHIBITED.

		UNLESS OTHERWISE SPECIFIED:	NAME	DATE
		DIMENSIONS ARE IN INCHES	DRAWN	
		TOLERANCES:	CHECKED	
		FRACTIONAL ±	ENG APPR.	
		ANGULAR: MACH ± BEND ±	MFG APPR.	
		TWO PLACE DECIMAL ±	Q.A.	
		THREE PLACE DECIMAL ±	COMMENTS:	
		INTERPRET GEOMETRIC TOLERANCING PER:		
		MATERIAL		
		FINISH		
NEXT ASSY	USED ON			
APPLICATION		DO NOT SCALE DRAWING		

TITLE:		
1.5" ID x 48" Long Alloy Pipe		
SIZE	DWG. NO.	REV
A	Water Falls New Media	
SCALE: 1:12	WEIGHT:	SHEET 5 OF 8

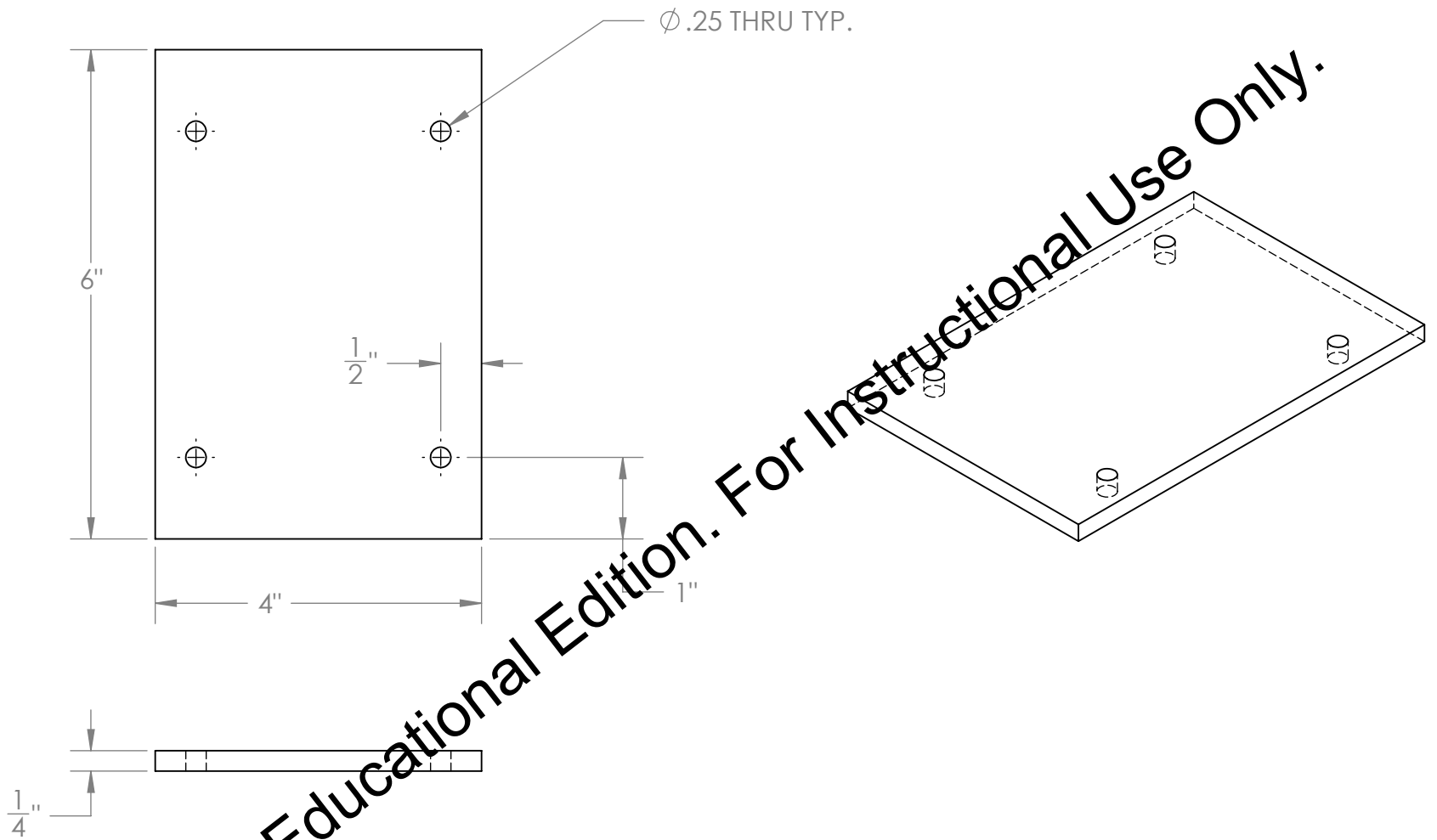


SolidWorks Educational Edition. For Instructional Use Only.

PROPRIETARY AND CONFIDENTIAL
 THE INFORMATION CONTAINED IN THIS DRAWING IS THE SOLE PROPERTY OF <INSERT COMPANY NAME HERE>. ANY REPRODUCTION IN PART OR AS A WHOLE WITHOUT THE WRITTEN PERMISSION OF <INSERT COMPANY NAME HERE> IS PROHIBITED.

		UNLESS OTHERWISE SPECIFIED:		NAME	DATE
		DIMENSIONS ARE IN INCHES	DRAWN		
		TOLERANCES:	CHECKED		
		FRACTIONAL ±	ENG APPR.		
		ANGULAR: MACH ± BEND ±	MFG APPR.		
		TWO PLACE DECIMAL ±	Q.A.		
		THREE PLACE DECIMAL ±	COMMENTS:		
		INTERPRET GEOMETRIC TOLERANCING PER:			
		MATERIAL			
NEXT ASSY	USED ON	FINISH			
APPLICATION		DO NOT SCALE DRAWING			

TITLE:		
2" ID x 48" Long Alloy Pipe		
SIZE	DWG. NO.	REV
A	Water Falls New Media	
SCALE: 1:12	WEIGHT:	SHEET 6 OF 8



SolidWorks Educational Edition. For Instructional Use Only.

PROPRIETARY AND CONFIDENTIAL
 THE INFORMATION CONTAINED IN THIS DRAWING IS THE SOLE PROPERTY OF <INSERT COMPANY NAME HERE>. ANY REPRODUCTION IN PART OR AS A WHOLE WITHOUT THE WRITTEN PERMISSION OF <INSERT COMPANY NAME HERE> IS PROHIBITED.

		UNLESS OTHERWISE SPECIFIED:		NAME	DATE
		DIMENSIONS ARE IN INCHES	DRAWN		
		TOLERANCES:	CHECKED		
		FRACTIONAL ±	ENG APPR.		
		ANGULAR: MACH ± BEND ±	MFG APPR.		
		TWO PLACE DECIMAL ±	Q.A.		
		THREE PLACE DECIMAL ±	COMMENTS:		
		INTERPRET GEOMETRIC TOLERANCING PER:			
		MATERIAL			
		FINISH			
NEXT ASSY	USED ON				
APPLICATION		DO NOT SCALE DRAWING			

TITLE:		
6" x 4" x 1/4" Alloy Plate		
SIZE	DWG. NO.	REV
A	Water Falls New Medic	
SCALE: 1:2	WEIGHT:	SHEET 8 OF 8