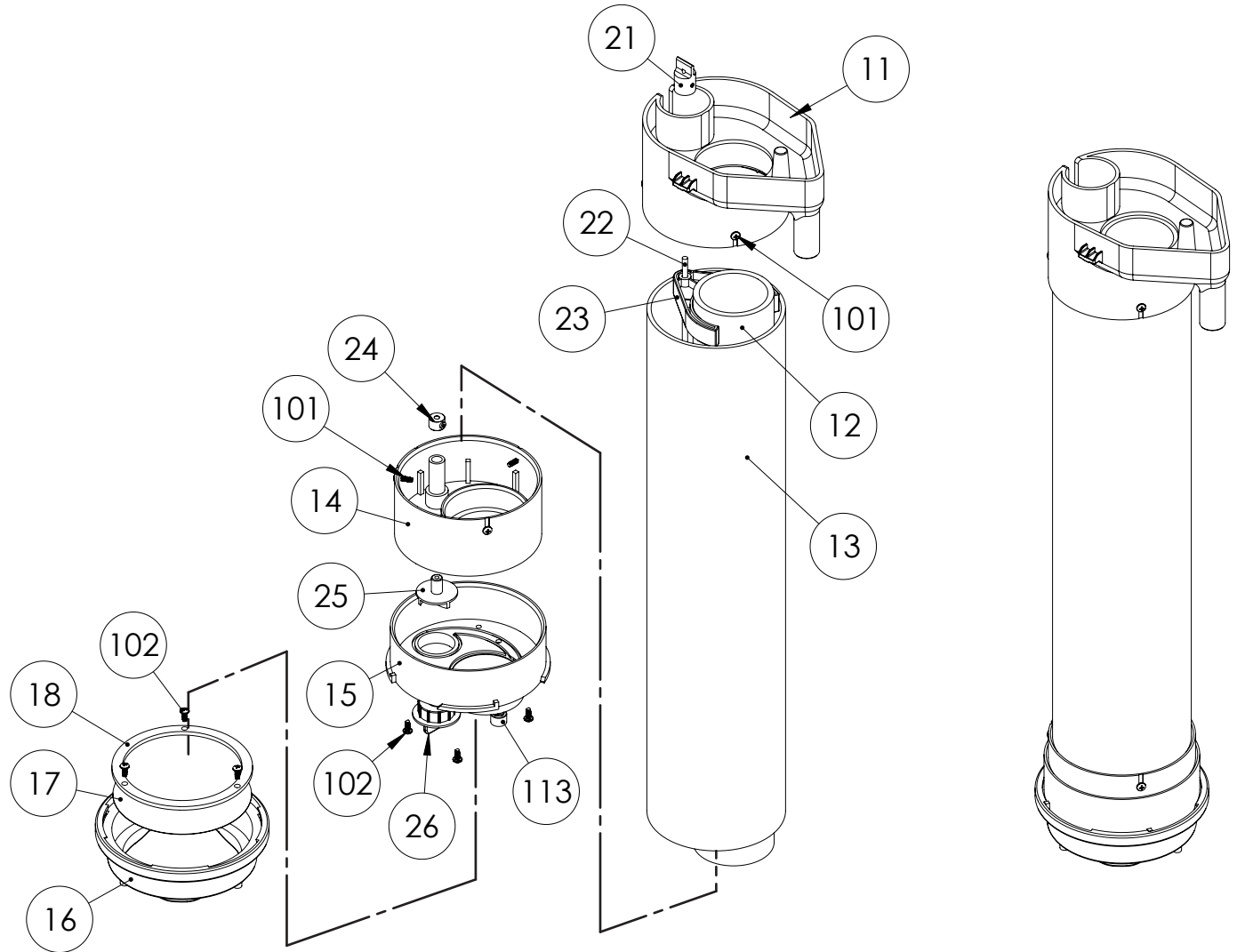


PROPRIETARY AND CONFIDENTIAL  
 THE INFORMATION CONTAINED IN THIS DRAWING IS THE SOLE PROPERTY OF HARBEIC PLASTICS INCORPORATED. ANY REPRODUCTION IN PART OR AS A WHOLE WITHOUT THE WRITTEN PERMISSION OF HARBEIC PLASTICS INCORPORATED IS PROHIBITED.

		UNLESS OTHERWISE SPECIFIED:		NAME	DATE
		DIMENSIONS ARE IN INCHES	DRAWN	T. Ricks	11/05/08
		TOLERANCES:	CHECKED		
		FRACTIONAL ±	ENG APPR.		
		ANGULAR: MACH ± BEND ±	MFG APPR.		
		TWO PLACE DECIMAL ±	Q.A.		
		THREE PLACE DECIMAL ±	COMMENTS:		
		INTERPRET GEOMETRIC TOLERANCING PER:			
		MATERIAL			
NEXT ASSY	USED ON	FINISH			
APPLICATION		DO NOT SCALE DRAWING			

TITLE: <b>Better Water Pump Main Assembly</b>		
SIZE <b>A</b>	DWG. NO.	REV
SCALE: 1:5	WEIGHT:	SHEET 1 OF 3

#	Quant.	Desc.
11	1	Sheath Pipe Spout
12	1	UV Pipe
13	1	Sheath Pipe
14	1	Sheath Pipe Base
15	1	Pump Bottom Plate
16	1	Filter Ring
17	1	Filter Screen
18	1	Screen Ring
21	1	Motor Coupler Plate
22	1	Motor Shaft
23	1	Drive Shaft Support
24	1	Shaft Collar
25	1	Impeller
26	1	Bottom Plate Plug
101	6	3/8" Plastite
102	7	1/4" Plastite
113	1	Flow Control Screw



UNLESS OTHERWISE SPECIFIED:	NAME	DATE
DIMENSIONS ARE IN INCHES	DRAWN	T. Ricks 11/05/08
TOLERANCES:	CHECKED	
FRACTIONAL ±	ENG APPR.	
ANGULAR: MACH ± BEND ±	MFG APPR.	
TWO PLACE DECIMAL ±	Q.A.	
THREE PLACE DECIMAL ±	COMMENTS:	

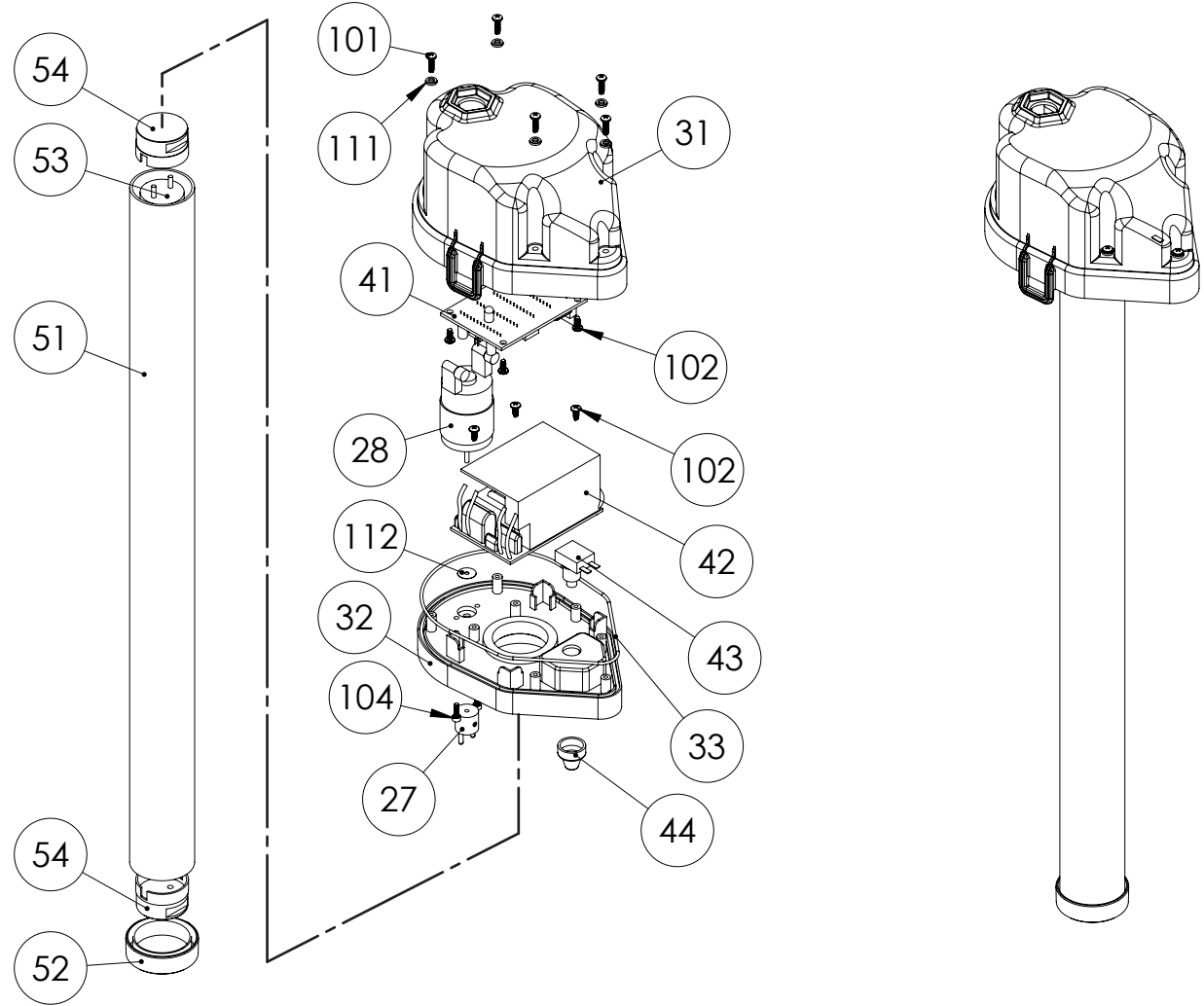
INTERPRET GEOMETRIC TOLERANCING PER:	APPLICATION	DO NOT SCALE DRAWING
MATERIAL	NEXT ASSY	USED ON
FINISH	APPLICATION	

PROPRIETARY AND CONFIDENTIAL  
 THE INFORMATION CONTAINED IN THIS DRAWING IS THE SOLE PROPERTY OF HARBEK PLASTICS INCORPORATED. ANY REPRODUCTION IN PART OR AS A WHOLE WITHOUT THE WRITTEN PERMISSION OF HARBEK PLASTICS INCORPORATED IS PROHIBITED.

# Better Water Pump Housing Assembly

SIZE	DWG. NO.	REV
A		
SCALE: 1:4	WEIGHT:	SHEET 2 OF 3

#	Quant.	Desc.
27	1	Coupler Post Side
28	1	Stir Motor
31	1	Cover
32	1	Pump Top Seal
33	1	Cover O-Ring
41	1	Controller Board
42	1	Lamp Ballast
43	1	Interlock Switch
44	1	Interlock Cap
51	1	Quartz Tube
52	1	Quartz End Cap
53	1	UV Lamp
54	2	Lamp Sockets
101	5	3/8" Plastite
102	7	1/4" Plastite
104	2	Motor Screws
111	5	Sealing Washers
112	1	Teflon Disk Seal



UNLESS OTHERWISE SPECIFIED:		NAME	DATE	TITLE:
DIMENSIONS ARE IN INCHES TOLERANCES: FRACTIONAL ± ANGULAR: MACH ± BEND ± TWO PLACE DECIMAL ± THREE PLACE DECIMAL ±		DRAWN	T. Ricks 11/05/08	
INTERPRET GEOMETRIC TOLERANCING PER:		CHECKED		
MATERIAL		ENG APPR.		SIZE DWG. NO. REV
FINISH		MFG APPR.		A
NEXT ASSY	USED ON	Q.A.		SCALE: 1:4 WEIGHT: SHEET 3 OF 3
APPLICATION		COMMENTS:		
DO NOT SCALE DRAWING				

PROPRIETARY AND CONFIDENTIAL  
THE INFORMATION CONTAINED IN THIS  
DRAWING IS THE SOLE PROPERTY OF  
HARBEC PLASTICS INCORPORATED. ANY  
REPRODUCTION IN PART OR AS A WHOLE  
WITHOUT THE WRITTEN PERMISSION OF  
HARBEC PLASTICS INCORPORATED IS  
PROHIBITED.