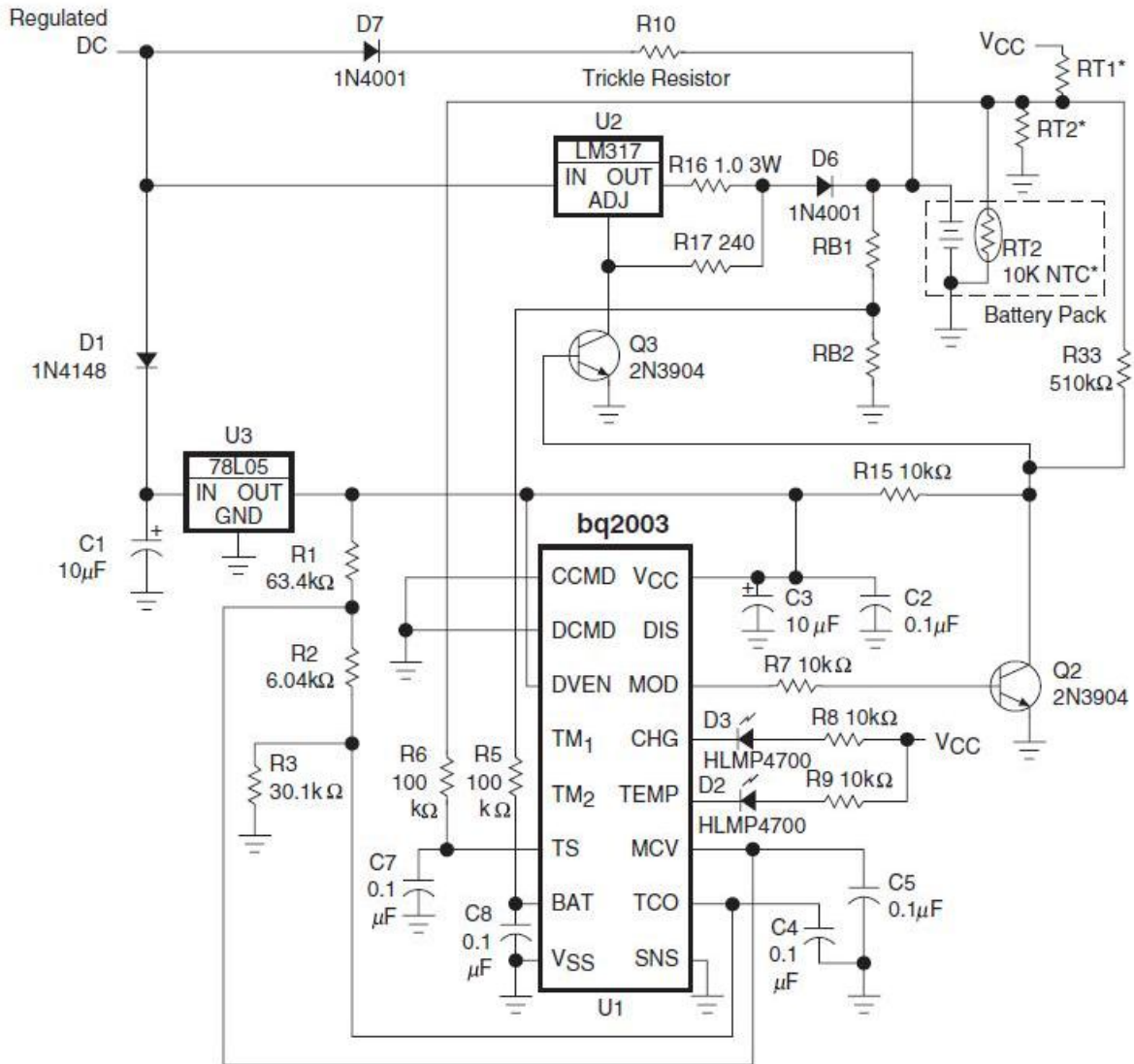


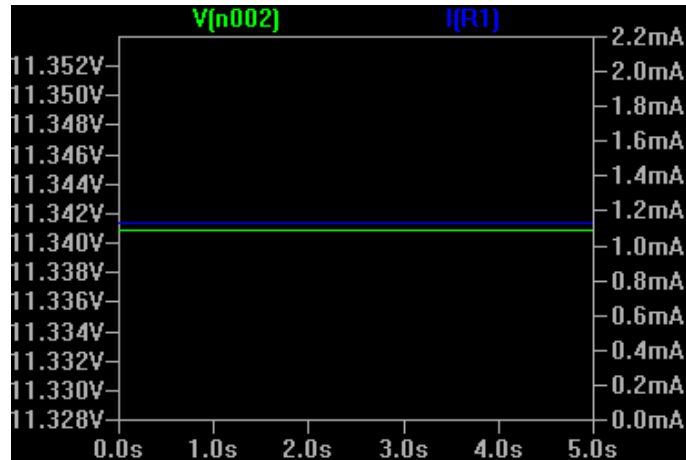
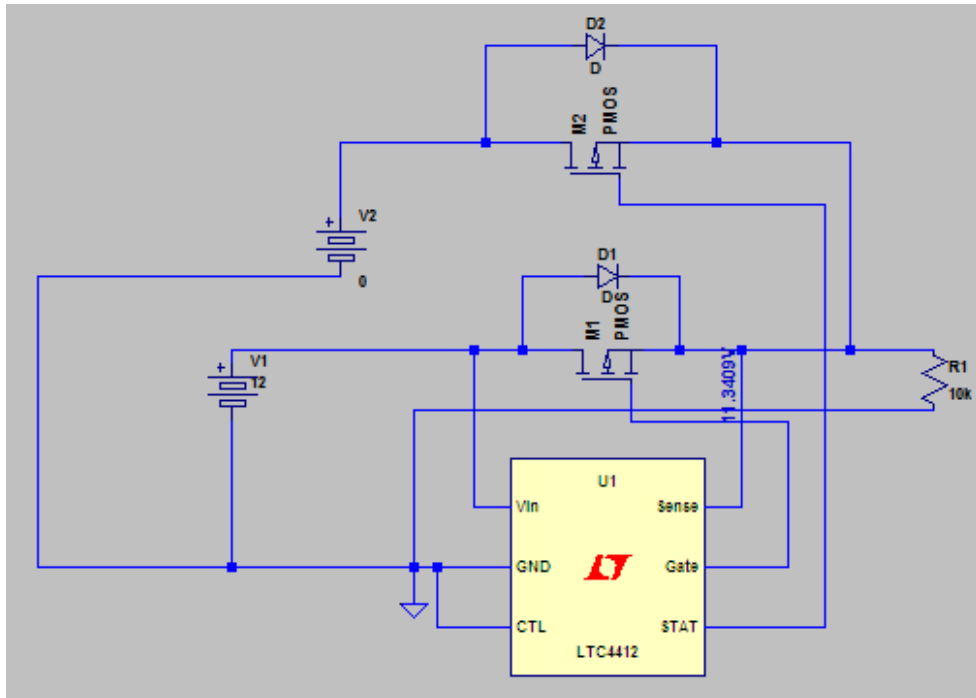
ELECTRICAL DRAWINGS

Electrical Charging Schematic – With Trickle Charge and Thermal Detector

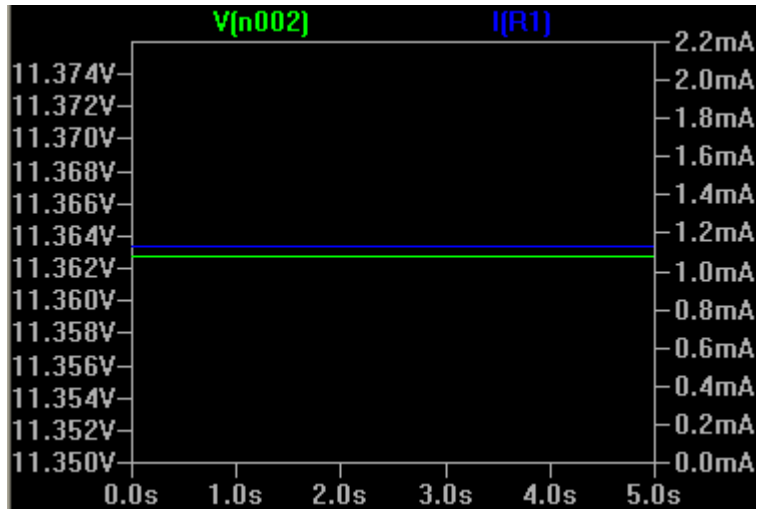
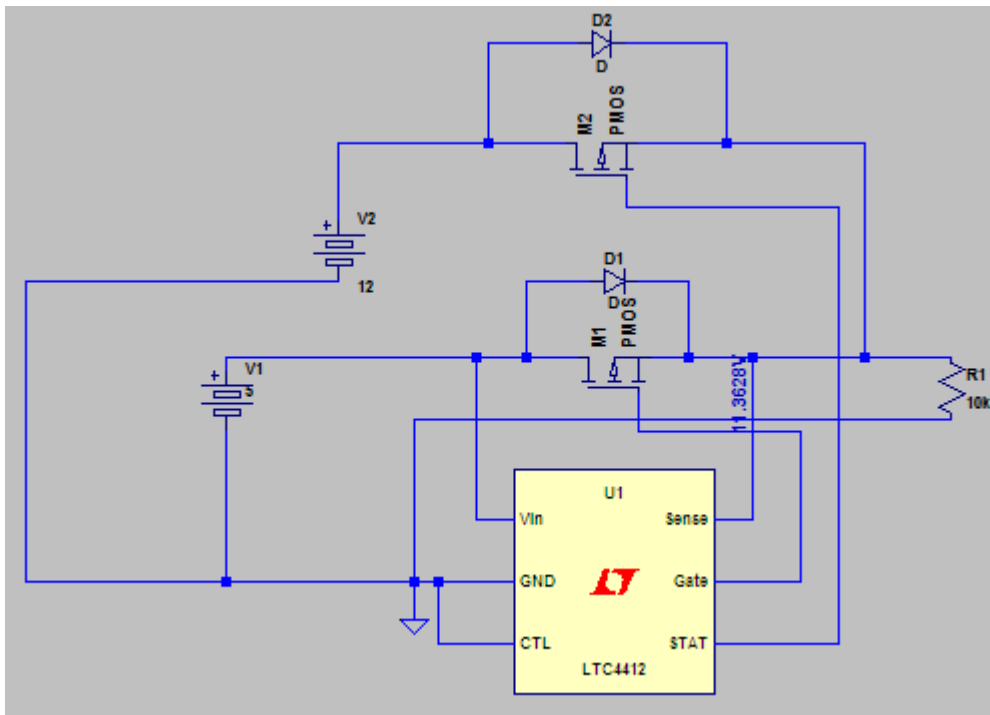


Power Source Switching Schematic

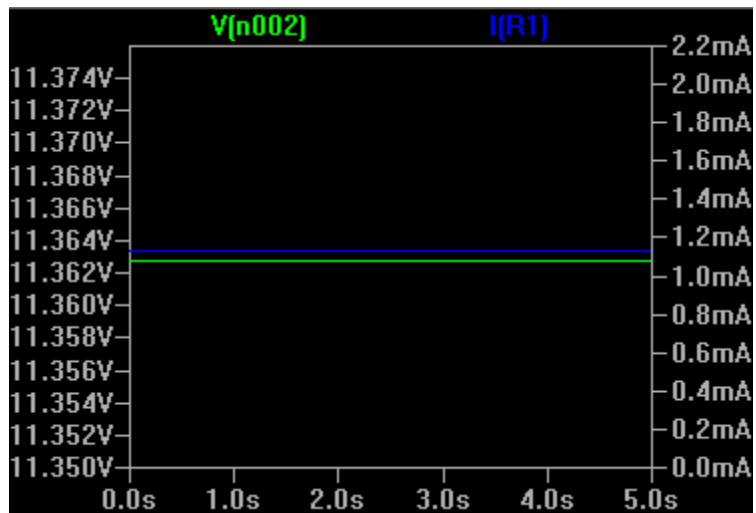
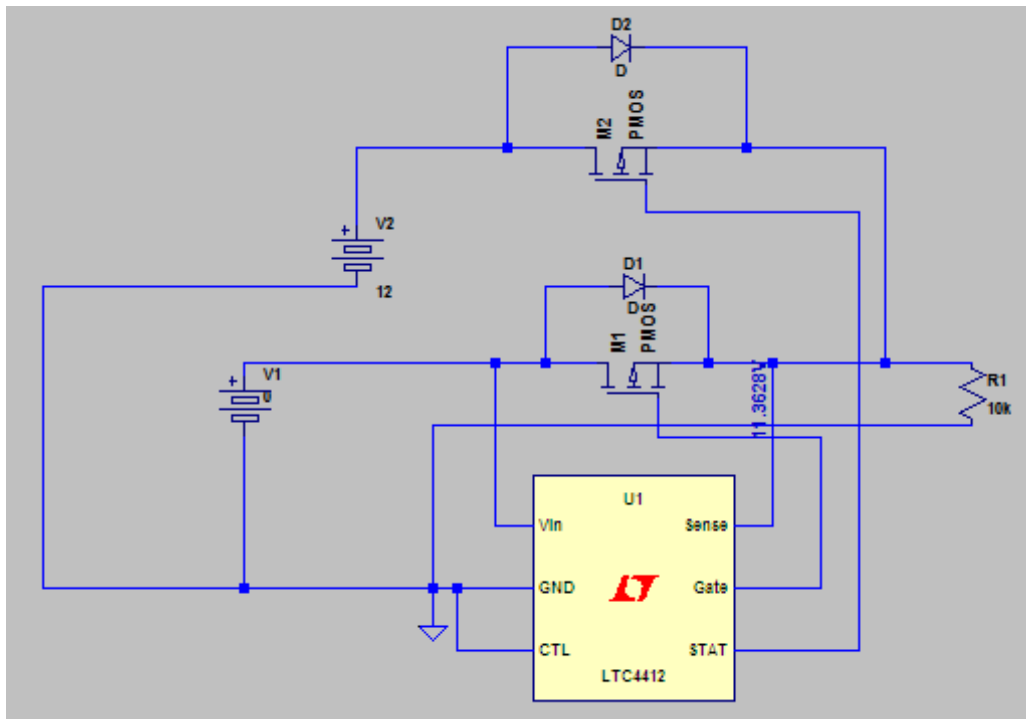
Schematic and Capture of Battery Running with TEG OFF (Fan Powered by Battery)



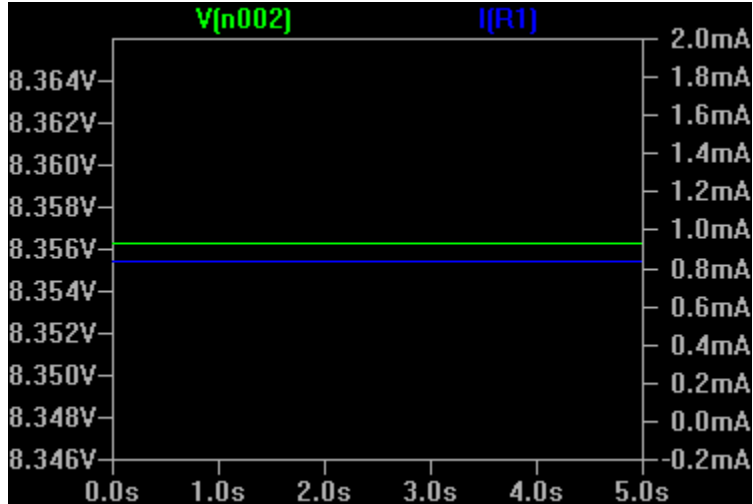
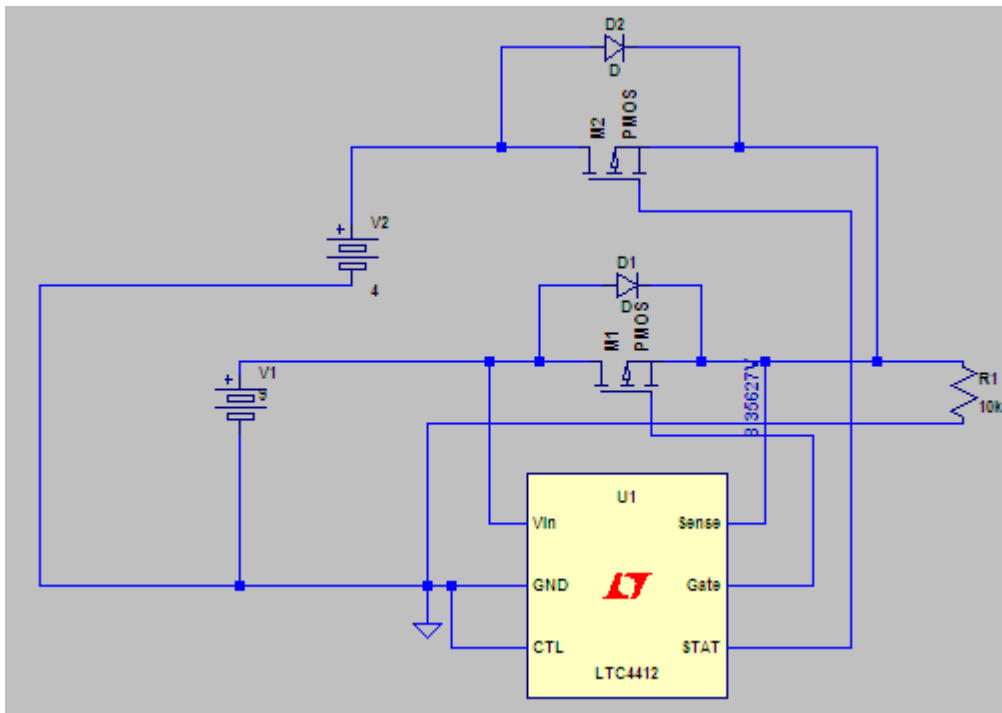
Schematic and Capture of Battery Partially Drained and TEG ON (Fan Powered by TEG)



Schematic and Capture of Battery Fully Drained and TEG ON (Fan Powered by TEG)



Schematic of Battery Partially Drained and TEG Powering Up (Fan Powered from Battery)



Internal Block Diagram of LTC4412

