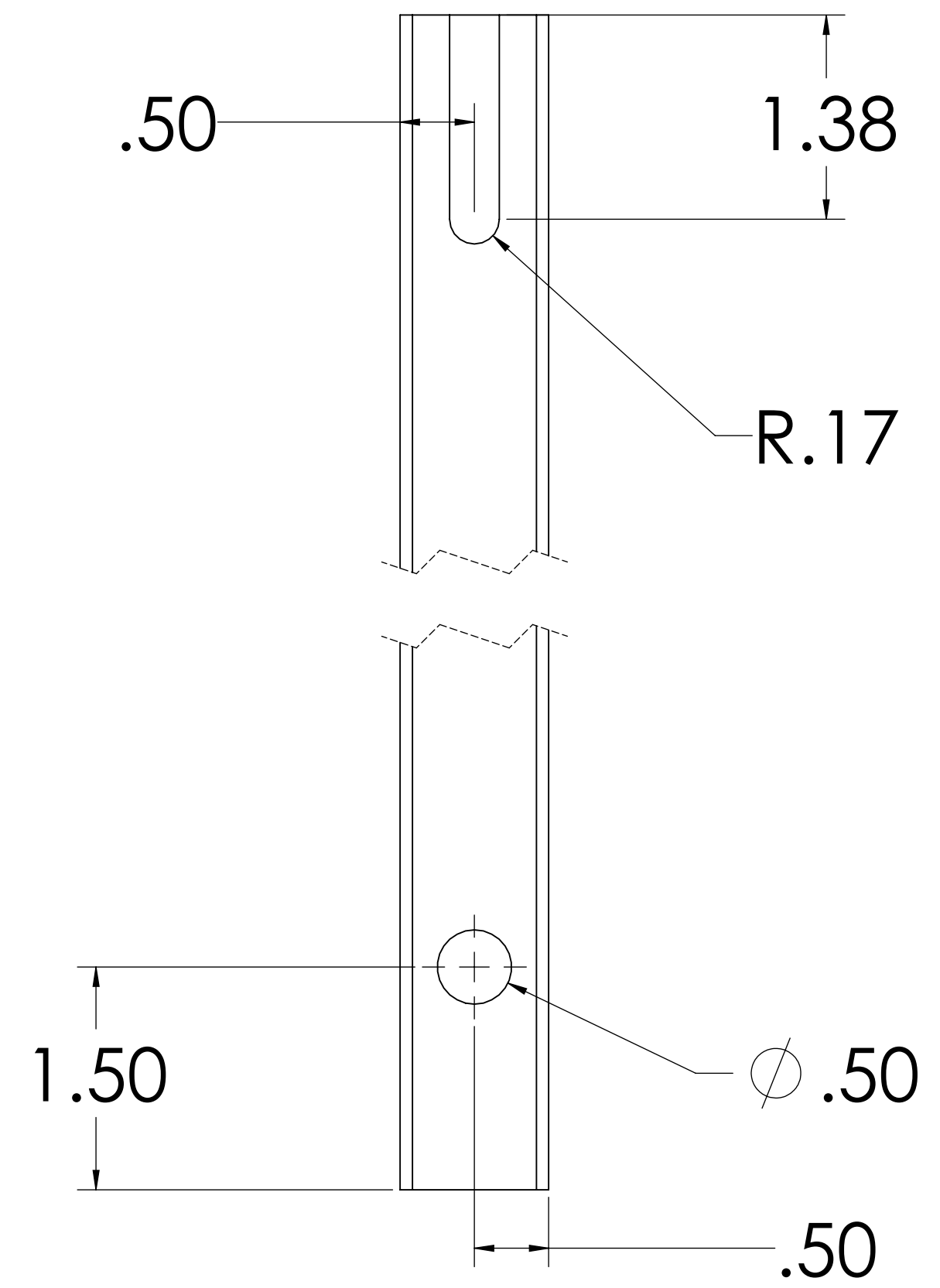
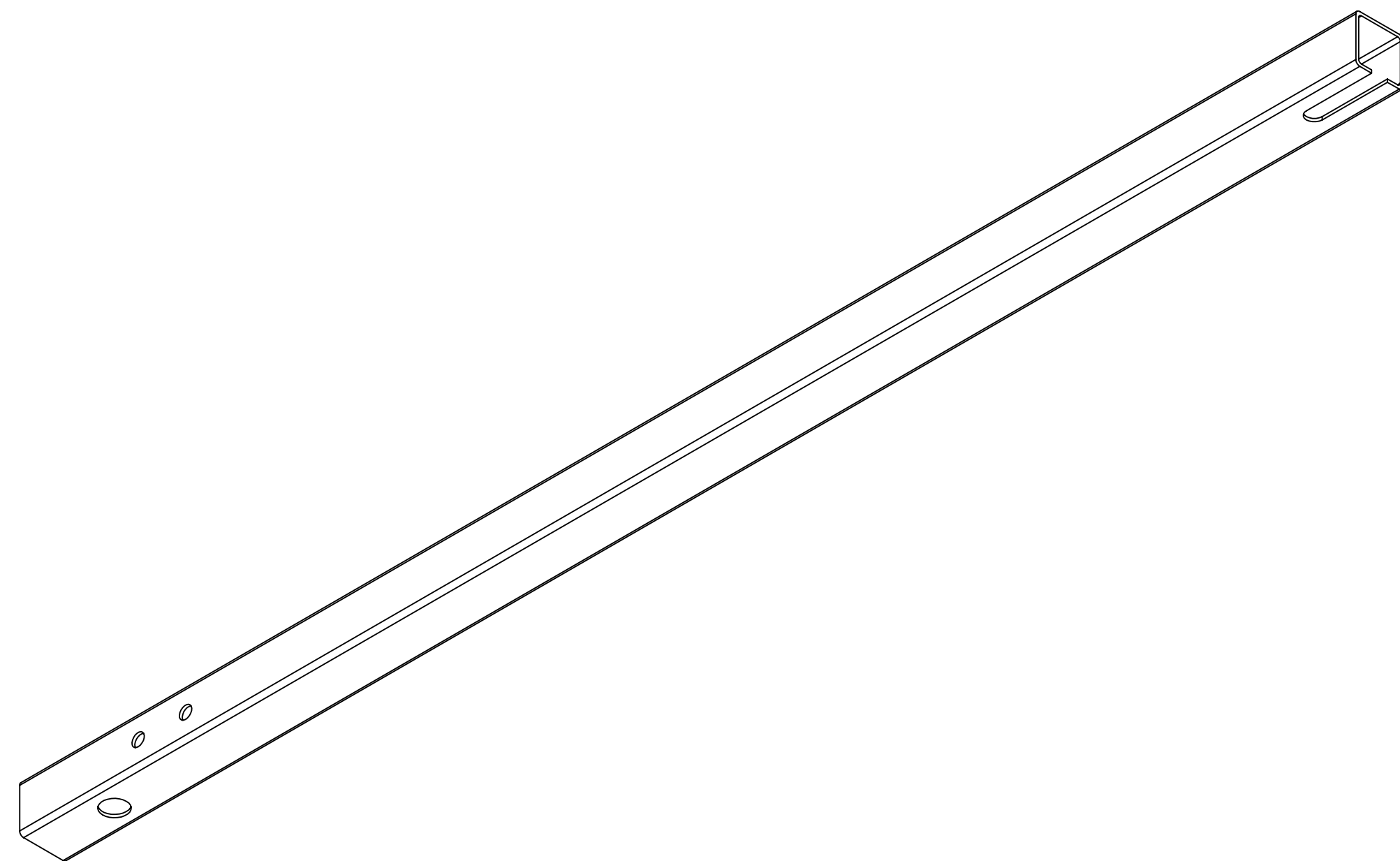
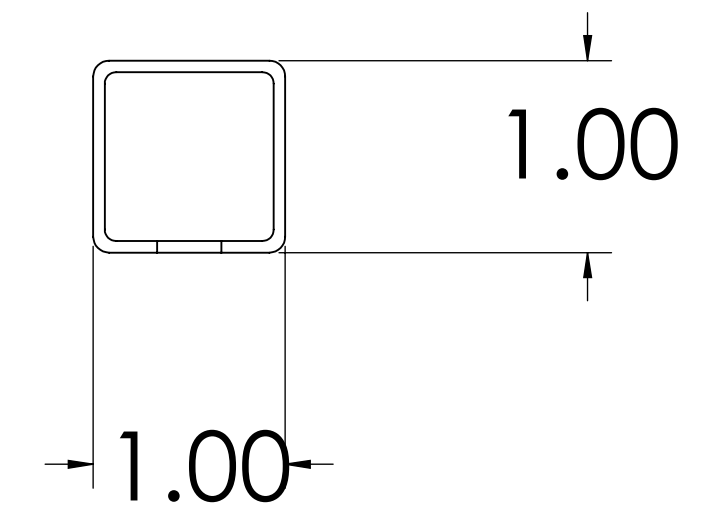
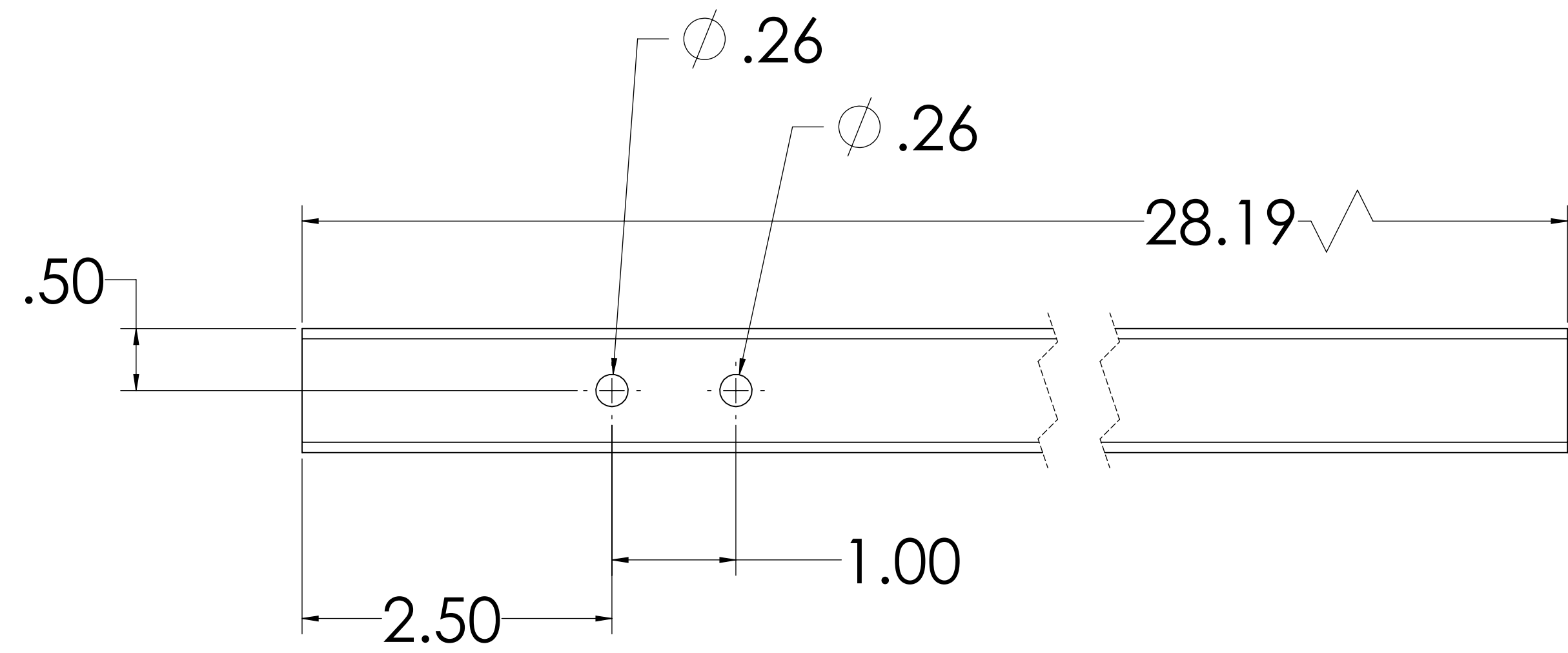


PROPRIETARY AND CONFIDENTIAL
 THE INFORMATION CONTAINED IN THIS DRAWING IS THE SOLE PROPERTY OF <INSERT COMPANY NAME HERE>. ANY REPRODUCTION IN PART OR AS A WHOLE WITHOUT THE WRITTEN PERMISSION OF <INSERT COMPANY NAME HERE> IS PROHIBITED.

UNLESS OTHERWISE SPECIFIED:		DRAWN	NAME	DATE
DIMENSIONS ARE IN INCHES		CHECKED		
TOLERANCES:		ENG APPR.		
FRACTIONAL ±		MFG APPR.		
ANGULAR: MACH ±		Q.A.		
BEND ±		COMMENTS:		
TWO PLACE DECIMAL ±				
THREE PLACE DECIMAL ±				
INTERPRET GEOMETRIC TOLERANCING PER:				
MATERIAL				
80/20				
NEXT ASSY	USED ON	FINISH	By: Sado Borcilo From: RIT Part #: 2012	
APPLICATION				

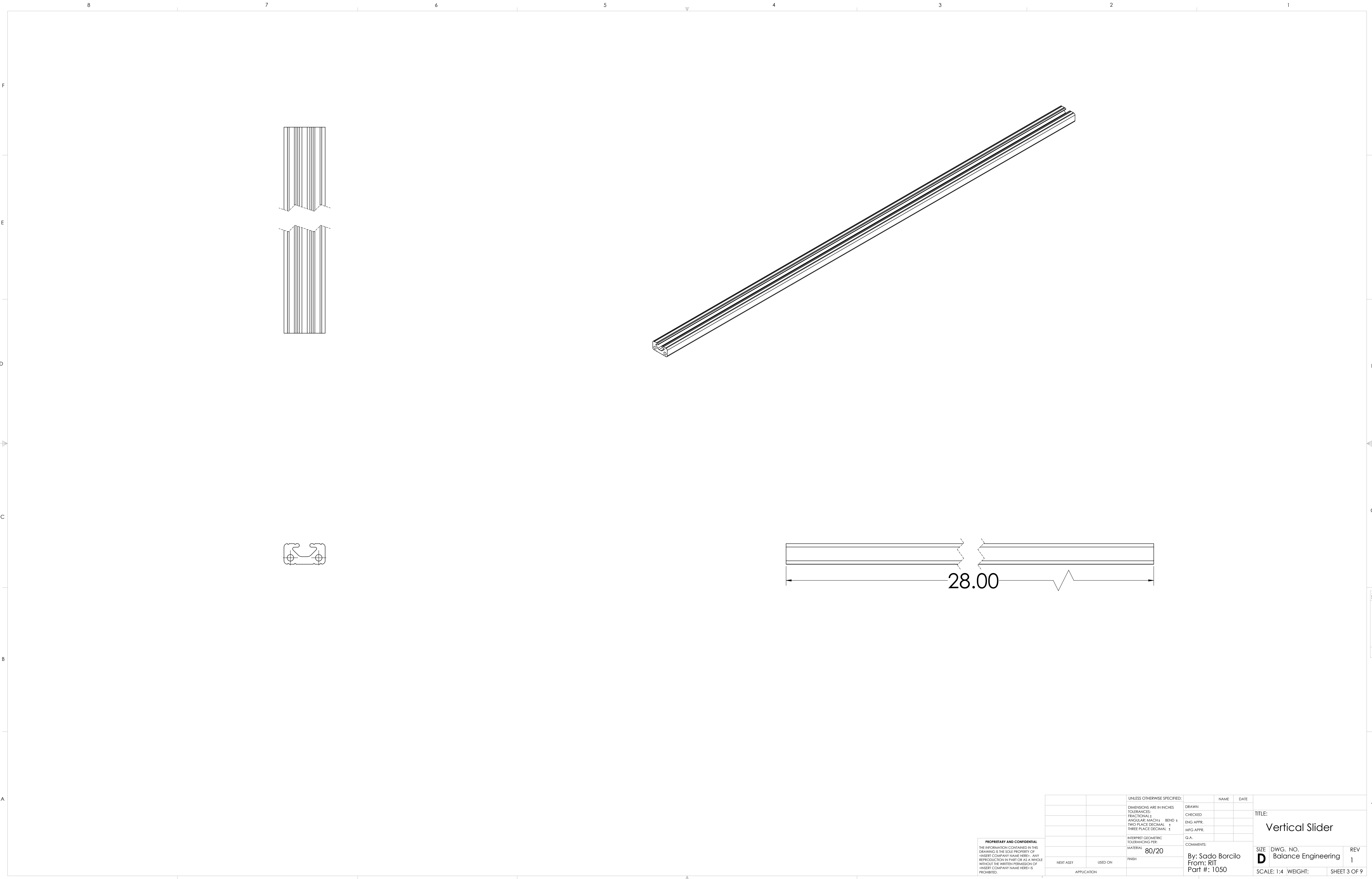
TITLE: Sliding Track-Foot Plates		
SIZE	DWG. NO.	REV
D	Balance Engineering	1
SCALE: 1:4	WEIGHT:	SHEET 1 OF 9



PROPRIETARY AND CONFIDENTIAL
 THE INFORMATION CONTAINED IN THIS DRAWING IS THE SOLE PROPERTY OF
 <INSERT COMPANY NAME HERE>. ANY
 REPRODUCTION IN PART OR AS A WHOLE
 WITHOUT THE WRITTEN PERMISSION OF
 <INSERT COMPANY NAME HERE> IS
 PROHIBITED.

UNLESS OTHERWISE SPECIFIED:		NAME	DATE
DRAWN			
CHECKED			
ENG APPR.			
MFG APPR.			
G.A.			
COMMENTS:			
MATERIAL		By: Sado Borcilo	
6100720 aluminum		From: RIT	
FINISH		Part #: 9000	
NEXT ASSY	USED ON		
APPLICATION			

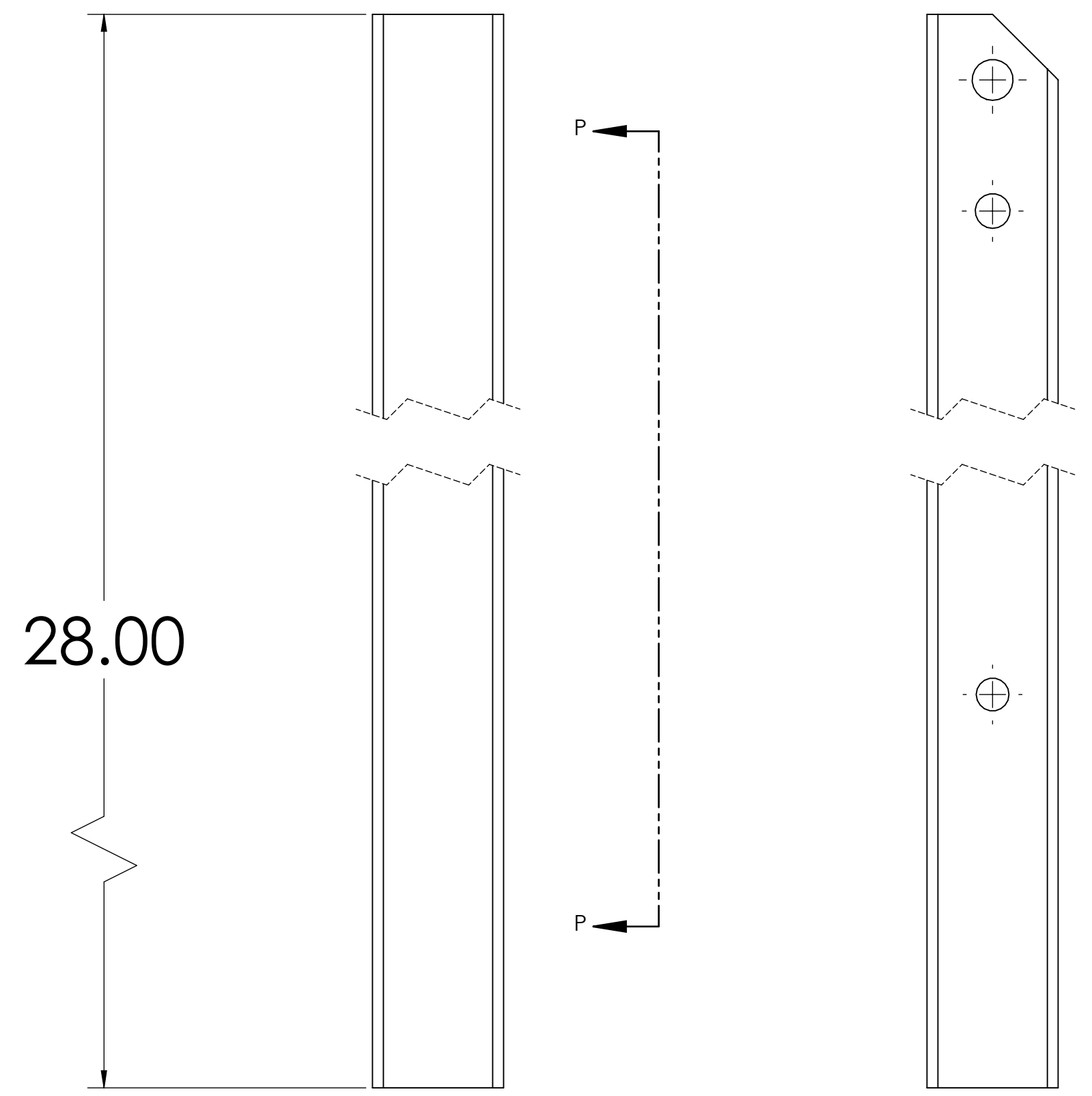
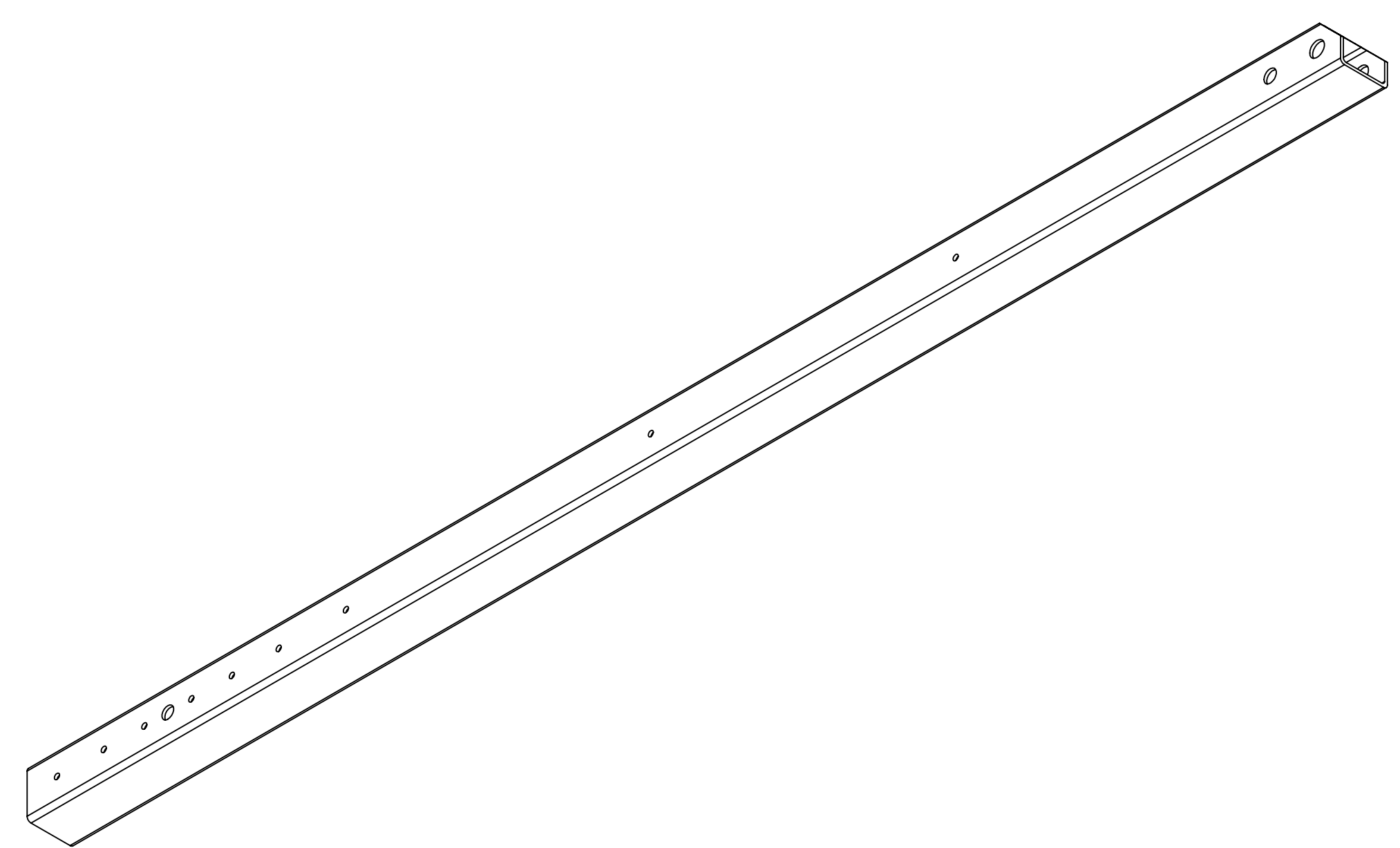
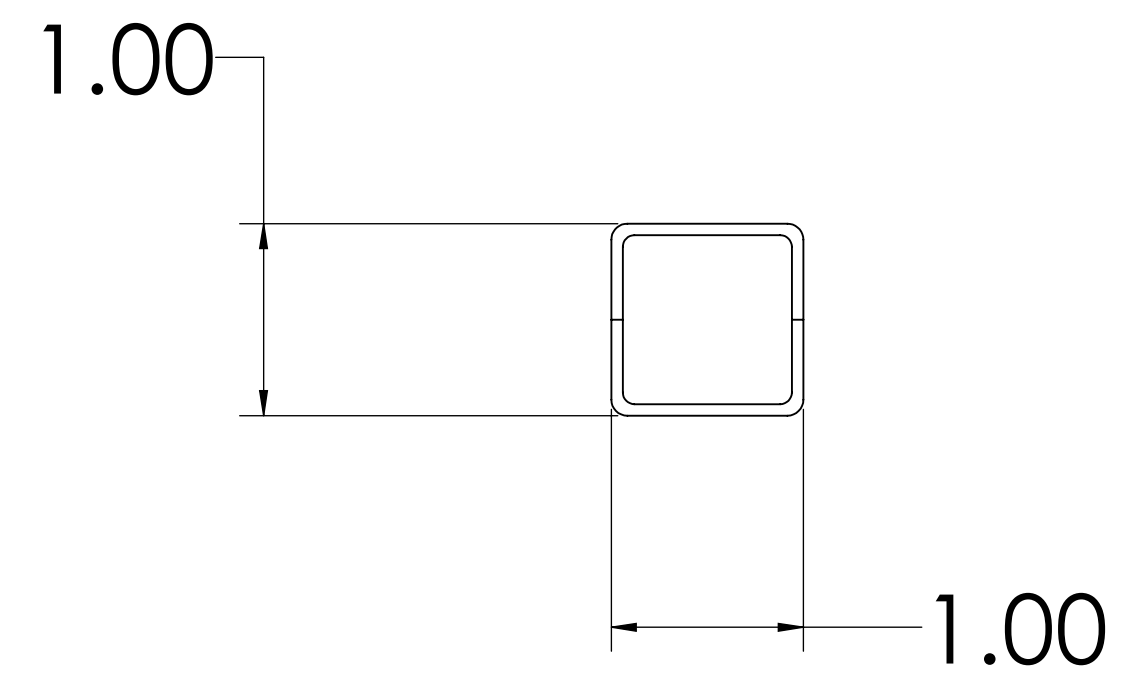
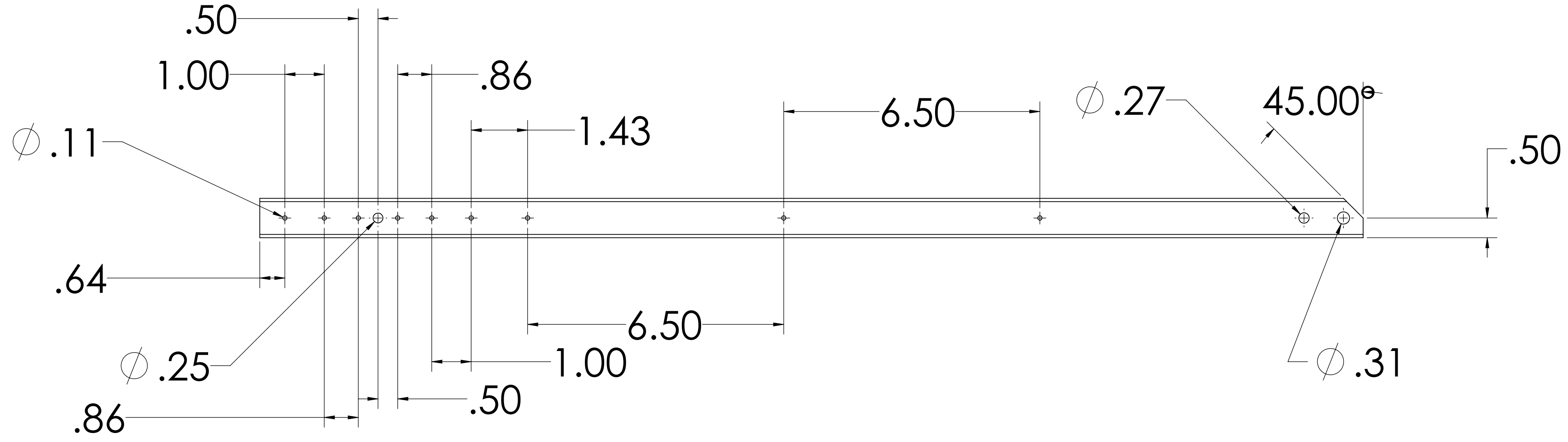
TITLE:		
Y Hollow Tube		
SIZE	DWG. NO.	REV
D	Balance Engineering	1
SCALE: 1:4 WEIGHT: 0.61275 SHEET 2 OF 9		



PROPRIETARY AND CONFIDENTIAL
 THE INFORMATION CONTAINED IN THIS DRAWING IS THE SOLE PROPERTY OF
 <INSERT COMPANY NAME HERE>. ANY
 REPRODUCTION IN PART OR AS A WHOLE
 WITHOUT THE WRITTEN PERMISSION OF
 <INSERT COMPANY NAME HERE> IS
 PROHIBITED.

UNLESS OTHERWISE SPECIFIED:		DRAWN	NAME	DATE
DIMENSIONS ARE IN INCHES		CHECKED		
TOLERANCES:		ENG APPR.		
FRACTIONAL ±		MFG APPR.		
ANGULAR: MACH ±		Q.A.		
BEND ±		COMMENTS:		
TWO PLACE DECIMAL ±				
THREE PLACE DECIMAL ±				
INTERPRET GEOMETRIC TOLERANCING PER:				
MATERIAL				
80/20				
NEXT ASSY	USED ON	FINISH		
APPLICATION				

TITLE:		
Vertical Slider		
SIZE	DWG. NO.	REV
D	Balance Engineering	1
SCALE: 1:4	WEIGHT:	SHEET 3 OF 9

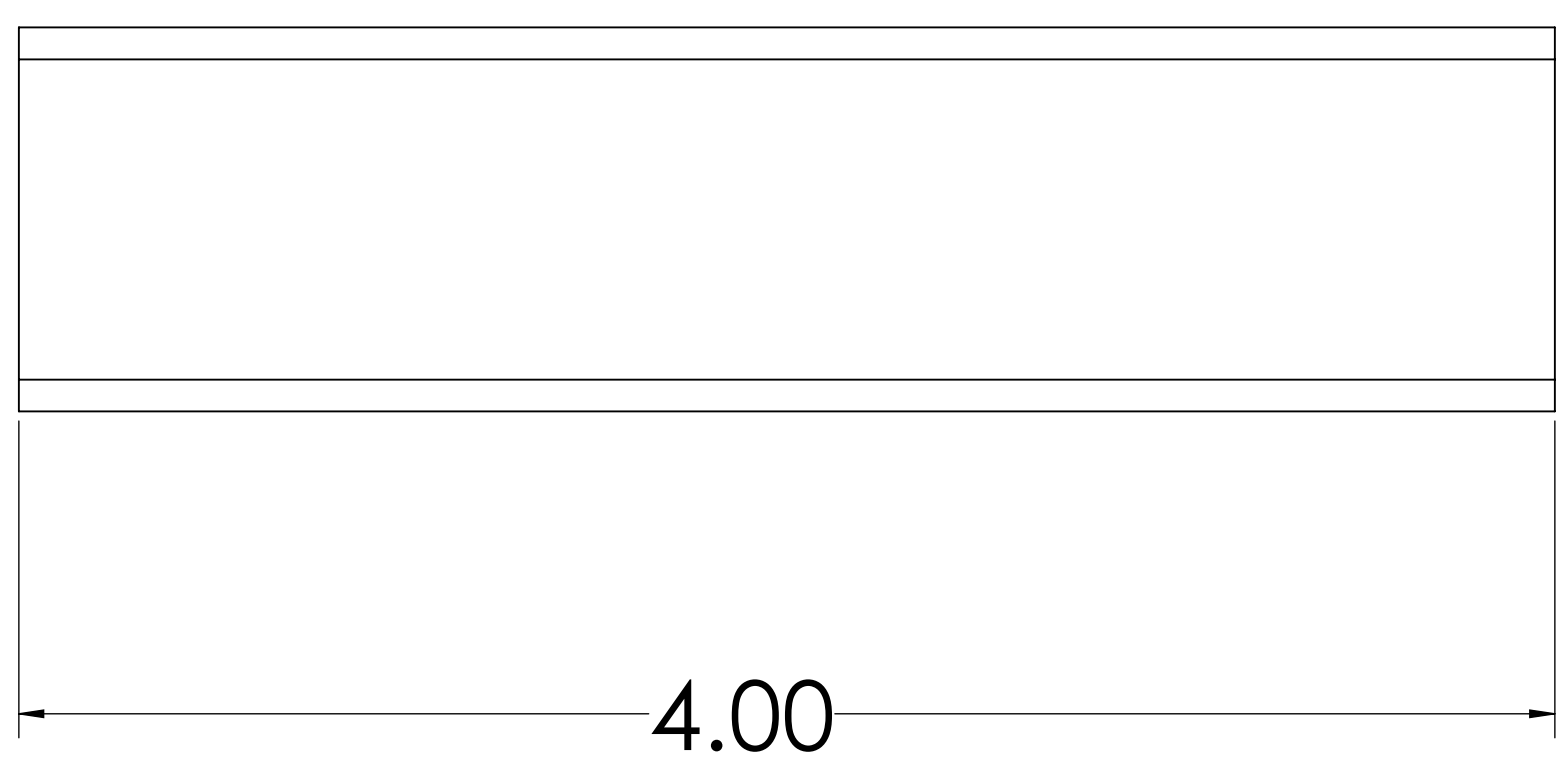
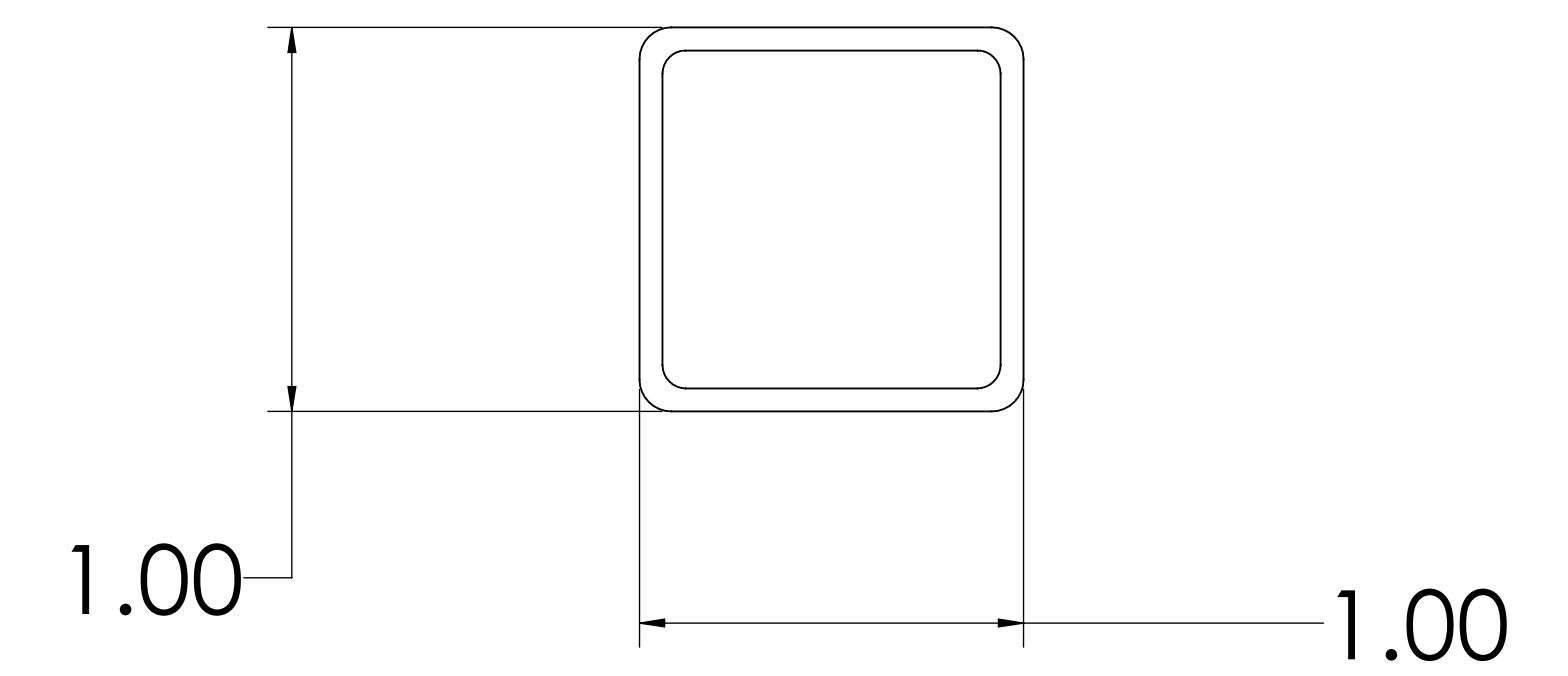
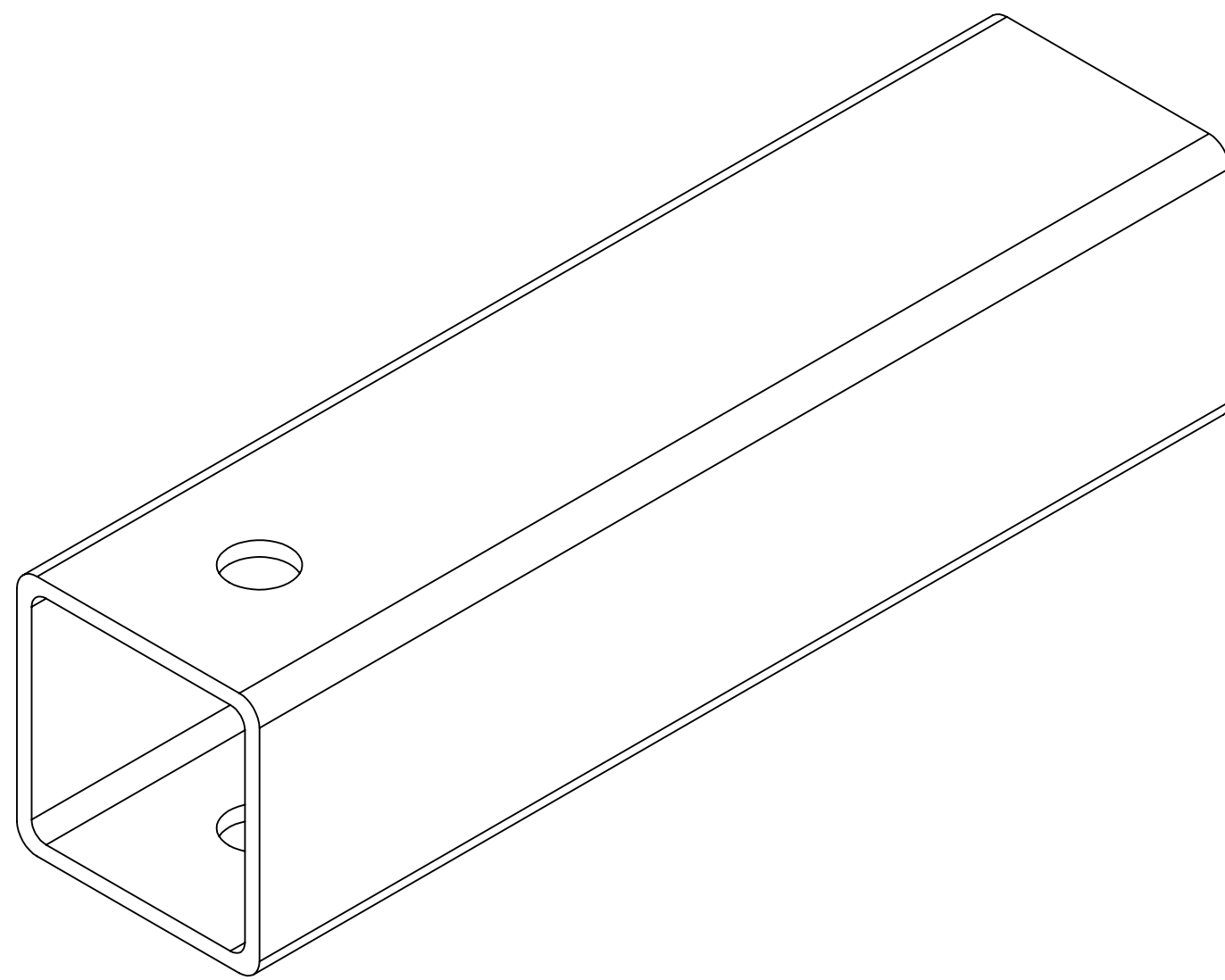
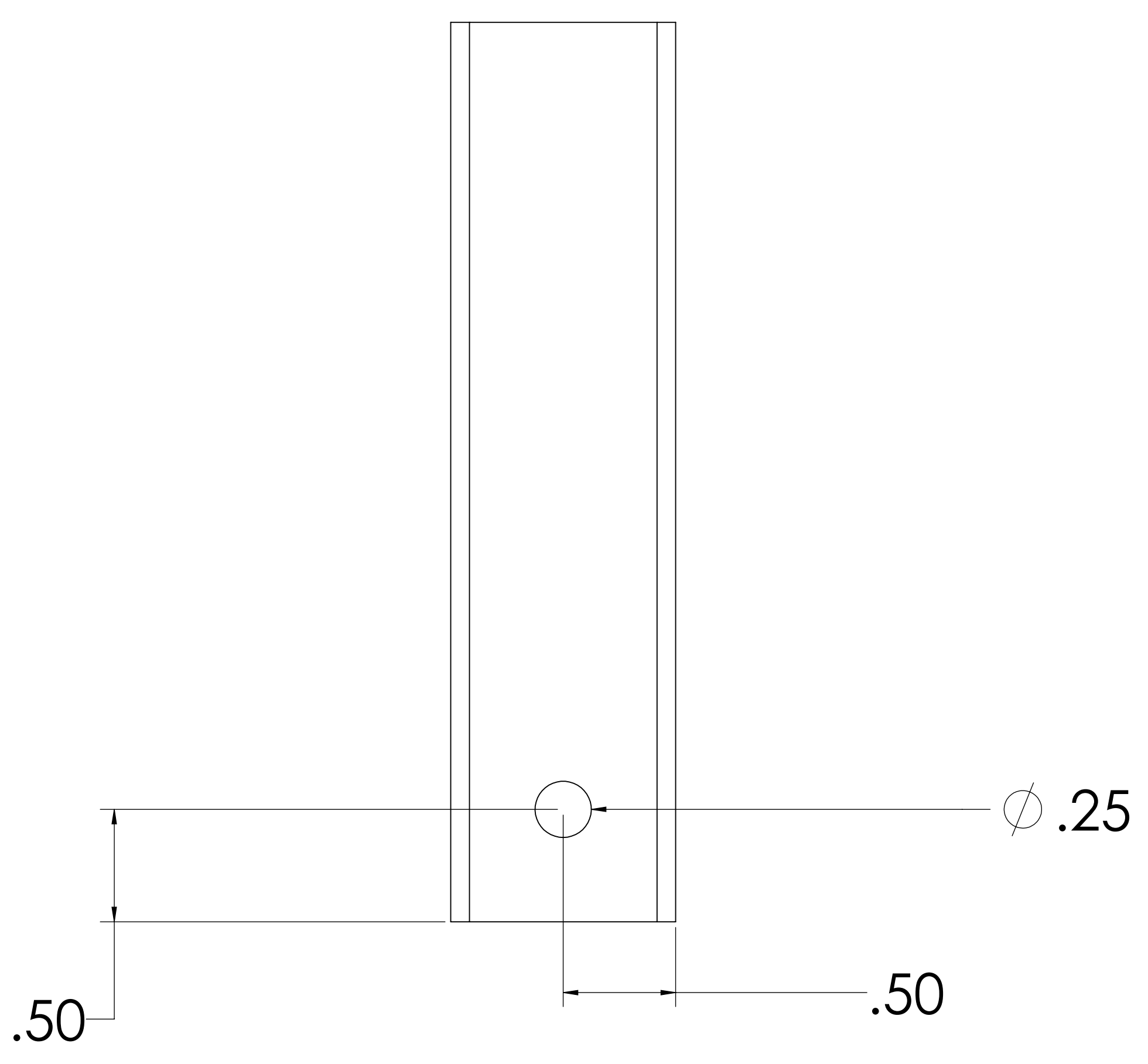


SECTION P-P
SCALE 1 : 1

PROPRIETARY AND CONFIDENTIAL
THE INFORMATION CONTAINED IN THIS DRAWING IS THE SOLE PROPERTY OF [INSERT COMPANY NAME HERE]. ANY REPRODUCTION IN PART OR AS A WHOLE WITHOUT THE WRITTEN PERMISSION OF [INSERT COMPANY NAME HERE] IS PROHIBITED.

UNLESS OTHERWISE SPECIFIED:		NAME	DATE
DIMENSIONS ARE IN INCHES			
TOLERANCES:			
FRACTIONAL ±			
ANGULAR: MACH ±			
BEND ±			
TWO PLACE DECIMAL ±			
THREE PLACE DECIMAL ±			
INTERPRET GEOMETRIC TOLERANCING PER:			
MATERIAL			
80/20			
NEXT ASSY	USED ON	FINISH	
APPLICATION			

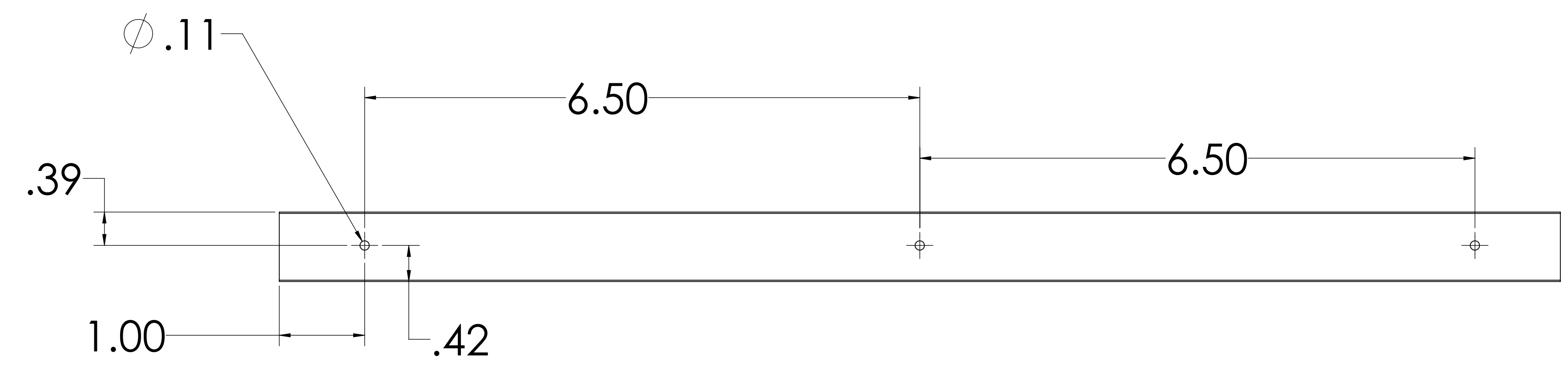
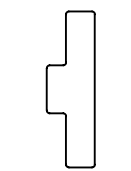
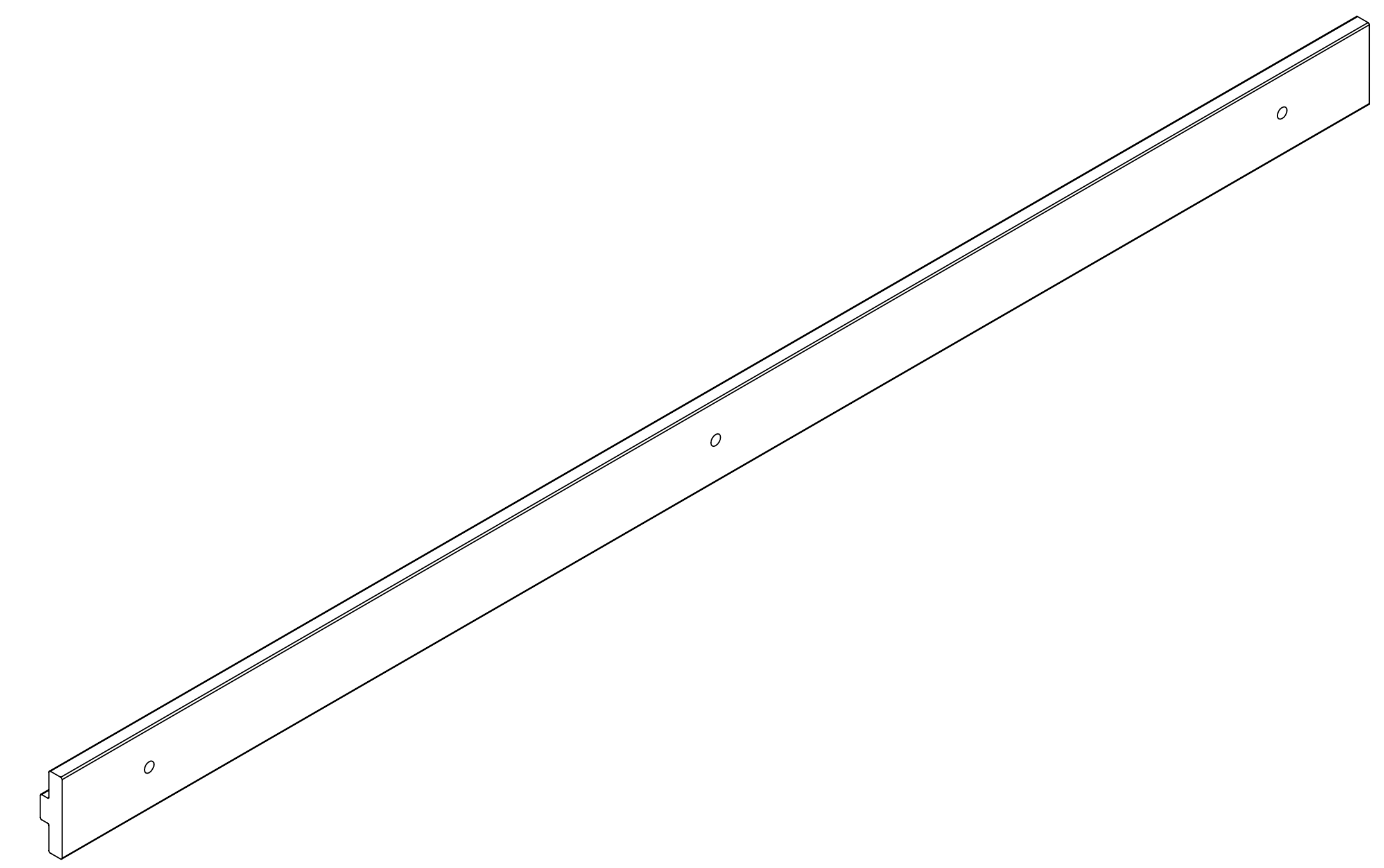
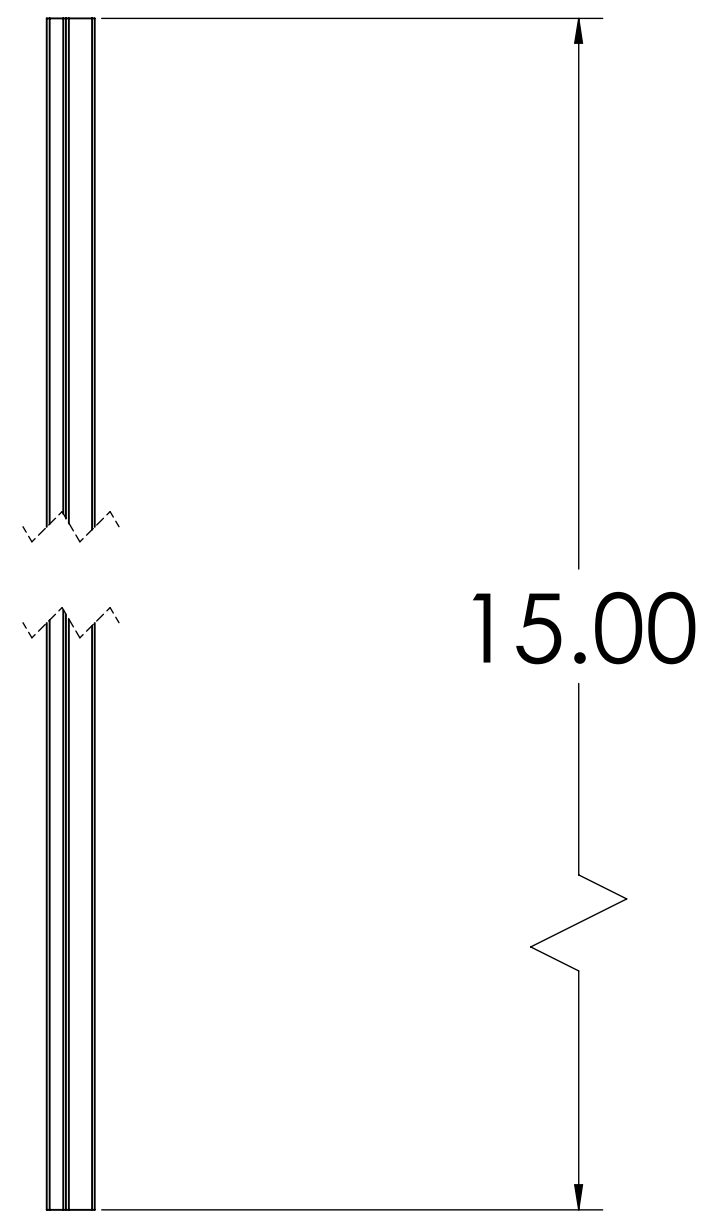
DRAWN			NAME			DATE		
CHECKED								
ENG APPR.								
MFG APPR.								
G.A.								
COMMENTS:								
By: Sado Borcilo			From: RIT			Part #: 9000		
TITLE:			Vertical Support					
SIZE DWG. NO.			D Balance Engineering			REV 1		
SCALE: 3:2			WEIGHT:			SHEET 4 OF 9		



PROPRIETARY AND CONFIDENTIAL
 THE INFORMATION CONTAINED IN THIS DRAWING IS THE SOLE PROPERTY OF
 <INSERT COMPANY NAME HERE>. ANY
 REPRODUCTION IN PART OR AS A WHOLE
 WITHOUT THE WRITTEN PERMISSION OF
 <INSERT COMPANY NAME HERE> IS
 PROHIBITED.

UNLESS OTHERWISE SPECIFIED:		DRAWN	NAME	DATE
DIMENSIONS ARE IN INCHES				
TOLERANCES:		CHECKED		
FRACTIONAL ±		ENG APPR.		
ANGULAR: MACH ±		MFG APPR.		
BEND ±				
TWO PLACE DECIMAL ±				
THREE PLACE DECIMAL ±				
INTERPRET GEOMETRIC TOLERANCING PER:		Q.A.		
MATERIAL		COMMENTS:		
80/20		By: Sado Borcilo		
NEXT ASSY		From: RIT		
USED ON		Part #: 9000		
APPLICATION				

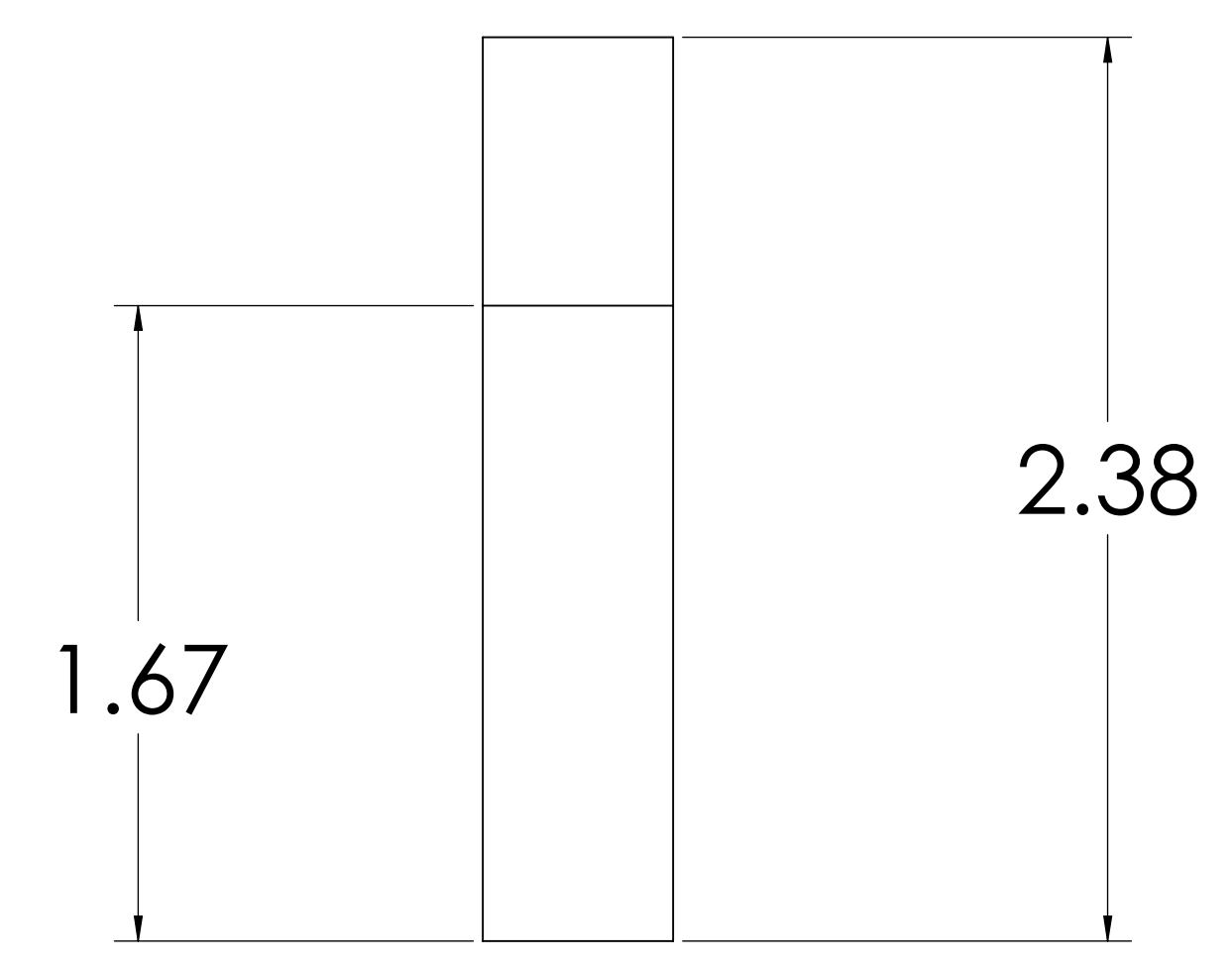
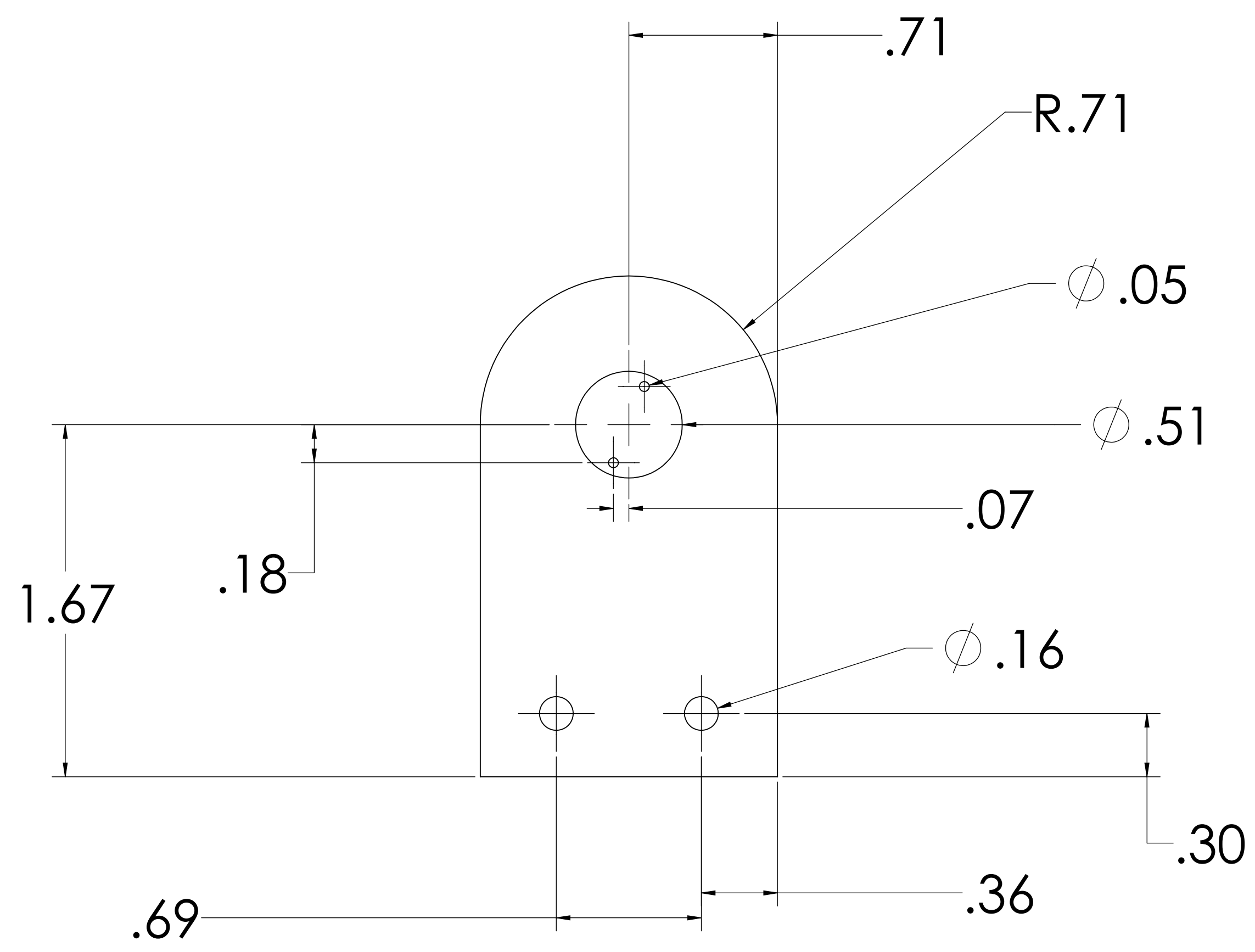
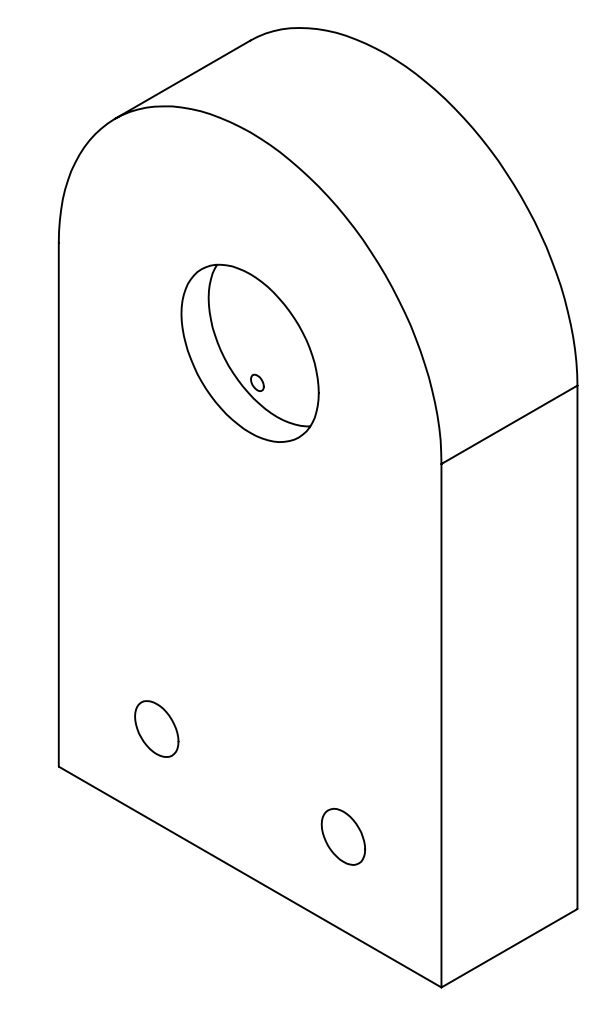
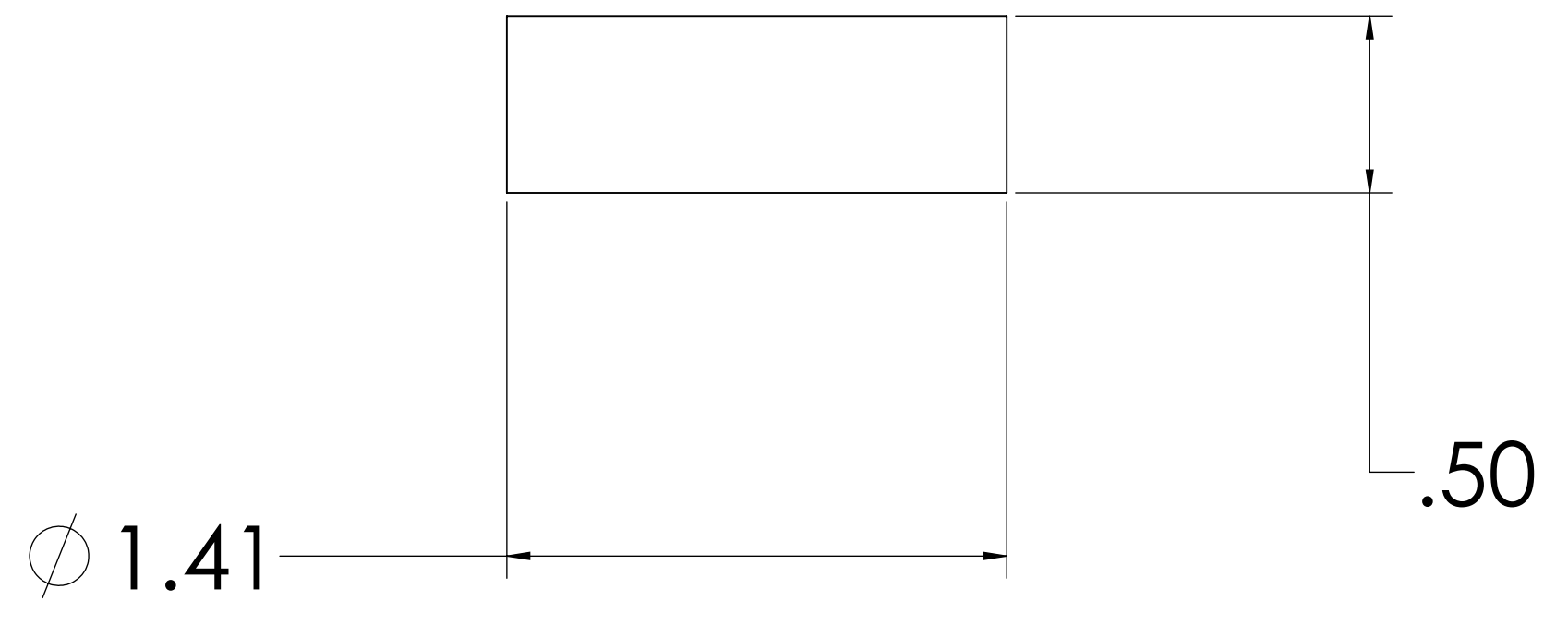
TITLE:		
Base Support		
SIZE	DWG. NO.	REV
D	Balance Engineering	1
SCALE: 2:1	WEIGHT:	SHEET 5 OF 9



PROPRIETARY AND CONFIDENTIAL
 THE INFORMATION CONTAINED IN THIS DRAWING IS THE SOLE PROPERTY OF
 <INSERT COMPANY NAME HERE>. ANY
 REPRODUCTION IN PART OR AS A WHOLE
 WITHOUT THE WRITTEN PERMISSION OF
 <INSERT COMPANY NAME HERE> IS
 PROHIBITED.

UNLESS OTHERWISE SPECIFIED:		DRAWN	NAME	DATE
DIMENSIONS ARE IN INCHES				
TOLERANCES:		CHECKED		
FRACTIONAL ±		ENG APPR.		
ANGULAR: MATCH ±		MFG APPR.		
BEND ±				
TWO PLACE DECIMAL ±				
THREE PLACE DECIMAL ±				
INTERPRET GEOMETRIC TOLERANCING PER:		Q.A.		
MATERIAL		COMMENTS:		
80/20		By: Sado Borcilo		
		From: RIT		
		Part #: 6700		
NEXT ASSY	USED ON	FINISH		
APPLICATION				

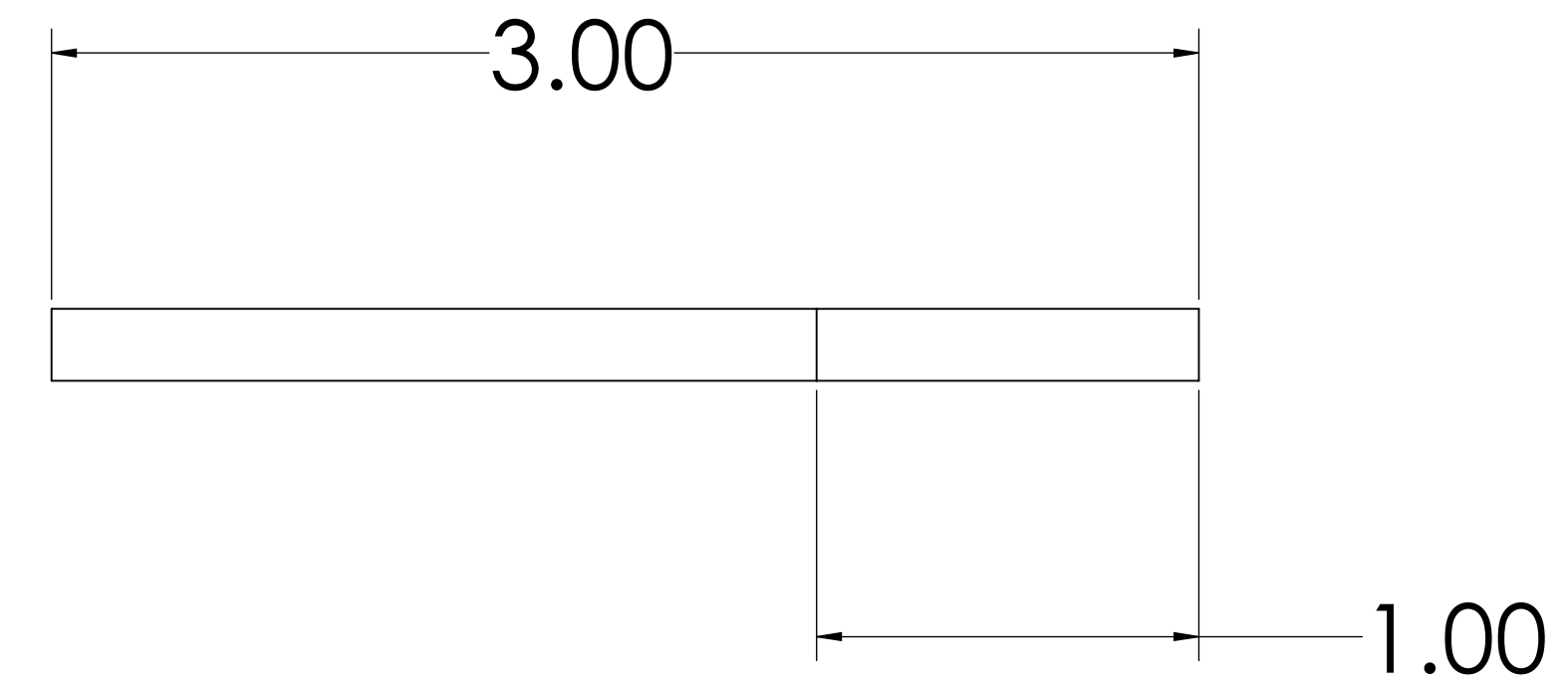
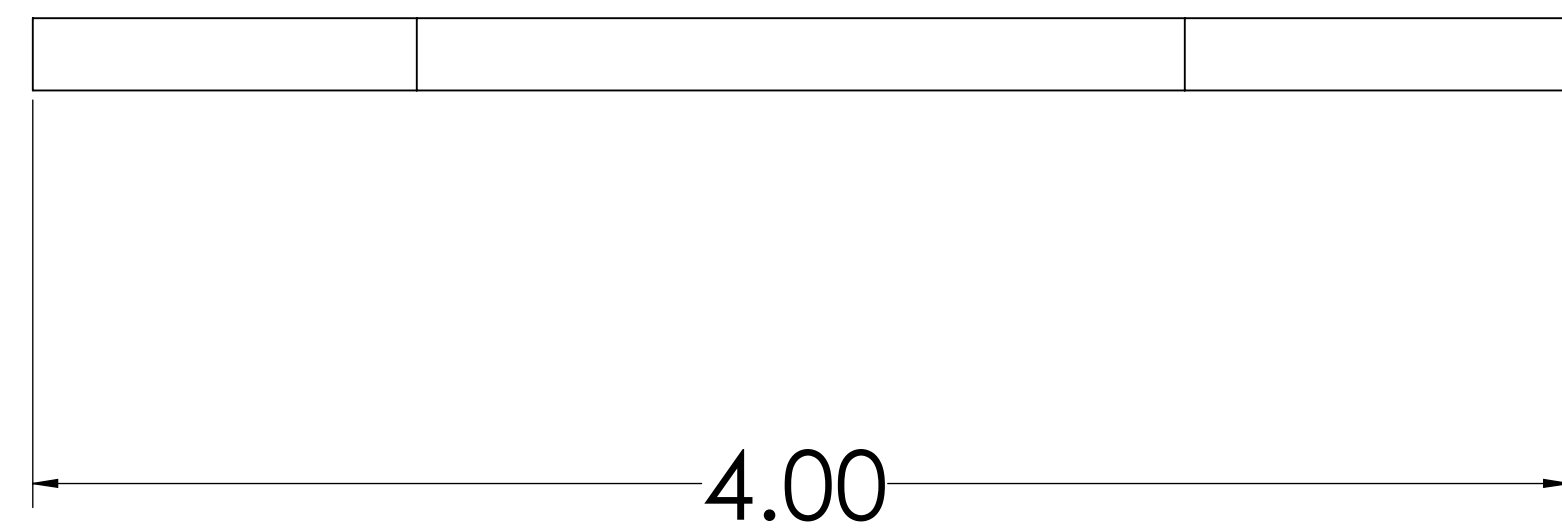
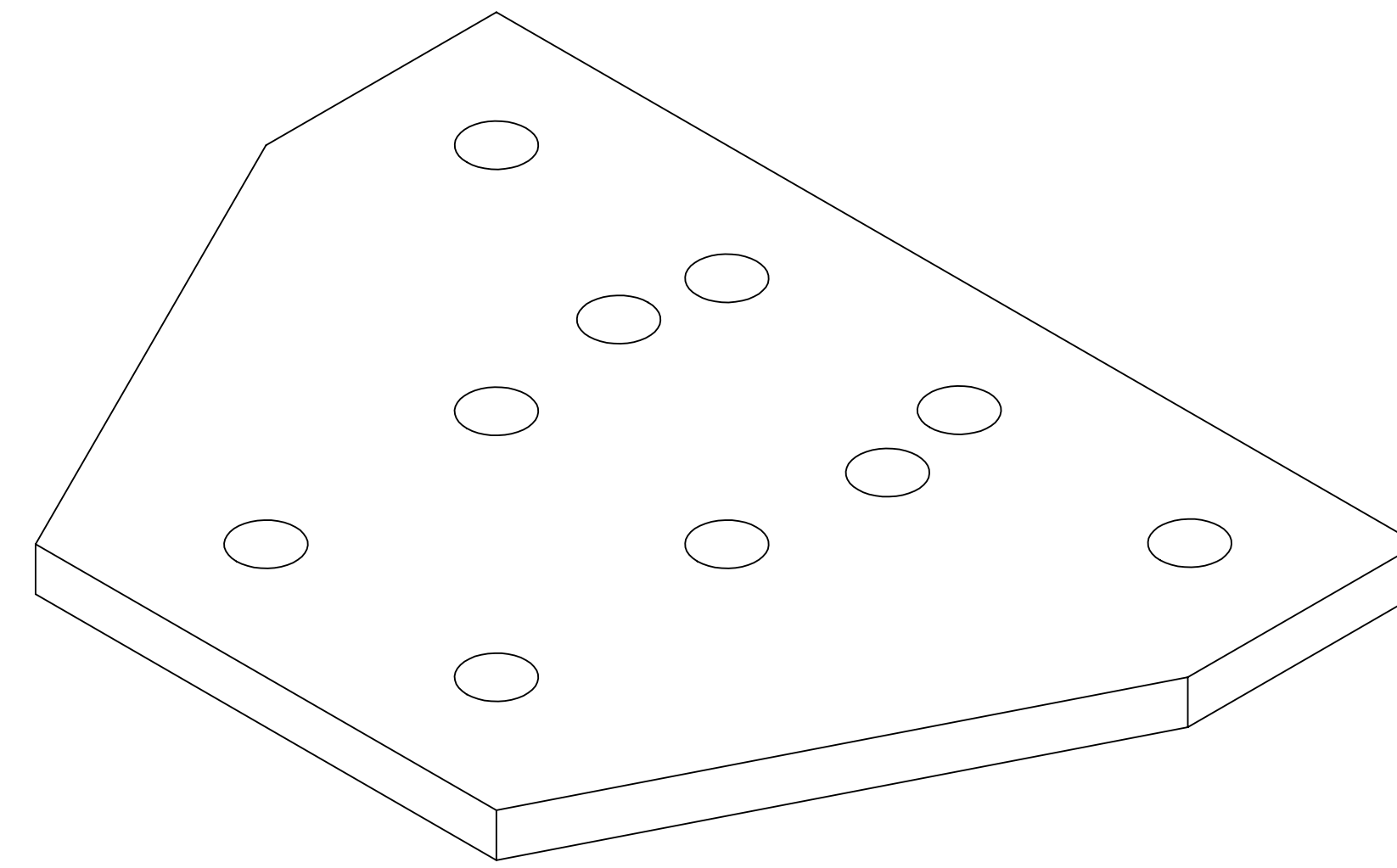
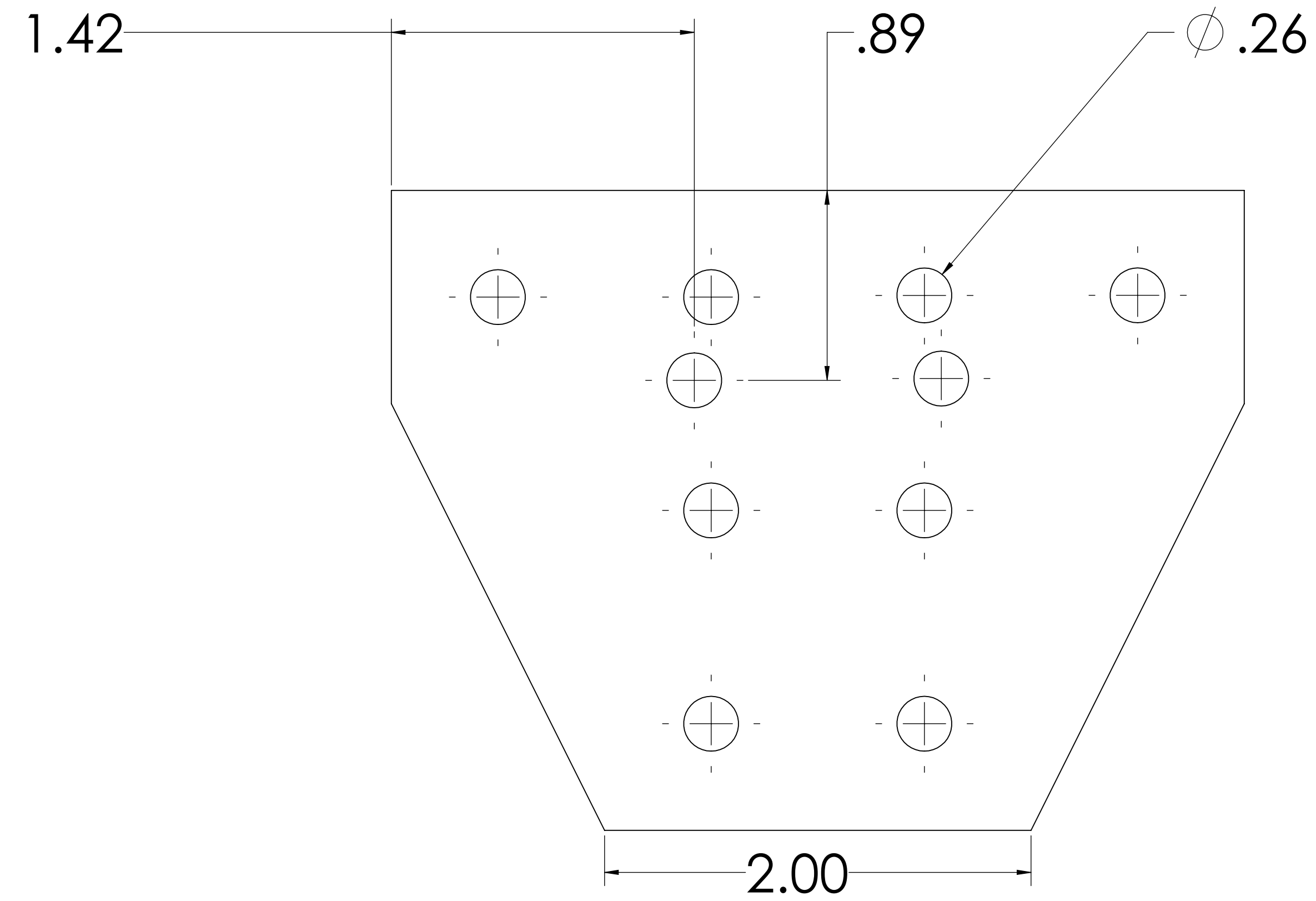
TITLE: Alignment Slider		
SIZE	DWG. NO.	REV
D	Balance Engineering 2	1
SCALE: 1:2	WEIGHT:	SHEET 6 OF 9



PROPRIETARY AND CONFIDENTIAL
 THE INFORMATION CONTAINED IN THIS DRAWING IS THE SOLE PROPERTY OF <INSERT COMPANY NAME HERE>. ANY REPRODUCTION IN PART OR AS A WHOLE WITHOUT THE WRITTEN PERMISSION OF <INSERT COMPANY NAME HERE> IS PROHIBITED.

UNLESS OTHERWISE SPECIFIED:		DRAWN	NAME	DATE
DIMENSIONS ARE IN INCHES		CHECKED		
TOLERANCES:		ENG APPR.		
FRACTIONAL ±		MFG APPR.		
ANGULAR: MACH ±		Q.A.		
BEND ±		COMMENTS:		
TWO PLACE DECIMAL ±				
THREE PLACE DECIMAL ±				
INTERPRET GEOMETRIC TOLERANCING PER:				
MATERIAL				
NEXT ASSY	USED ON	FINISH		
APPLICATION				

TITLE: **Camera Attachment**
 SIZE DWG. NO. REV
Balance Engineering 2
 SCALE: 2:1 WEIGHT: SHEET 7 OF 9



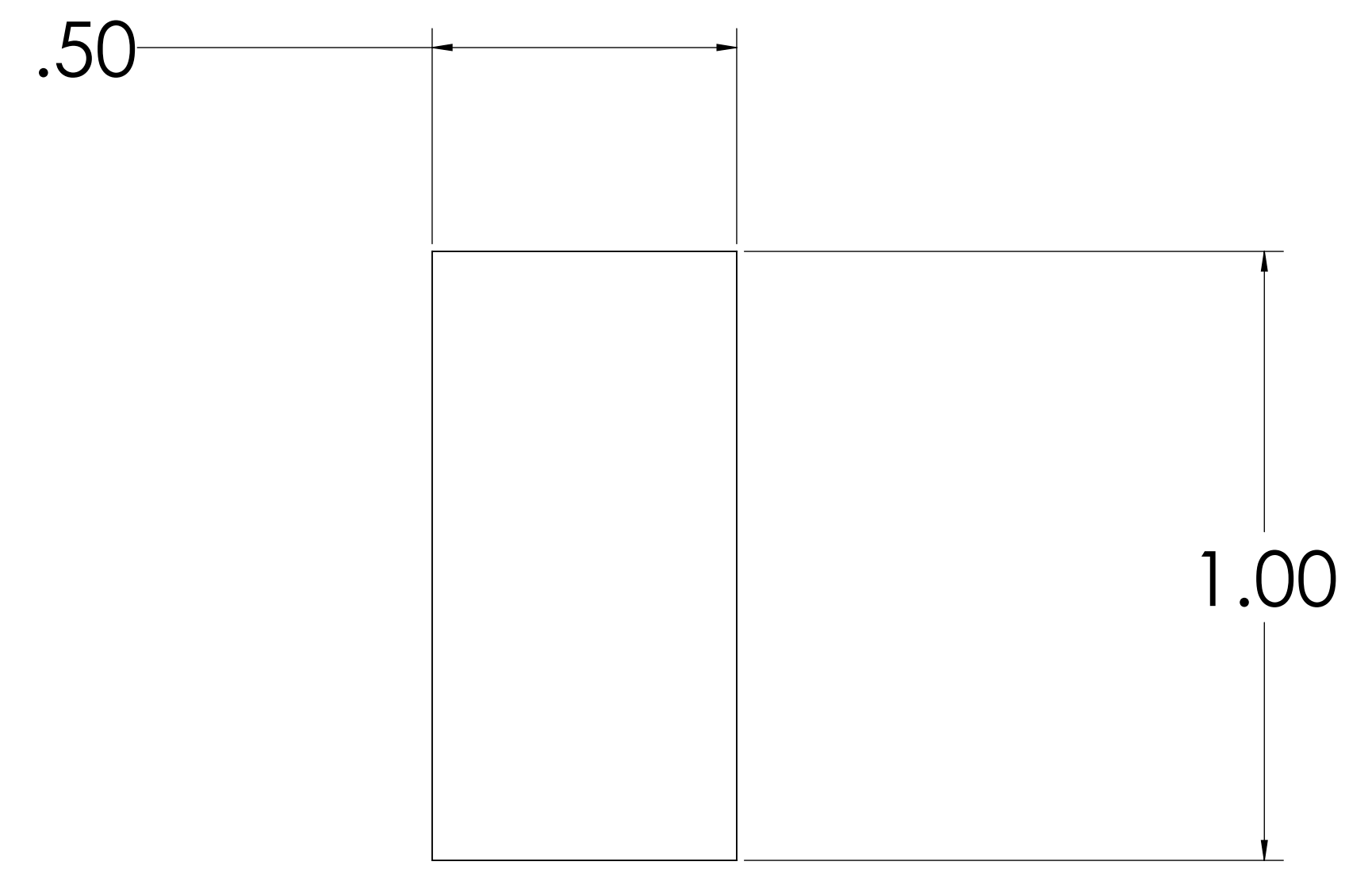
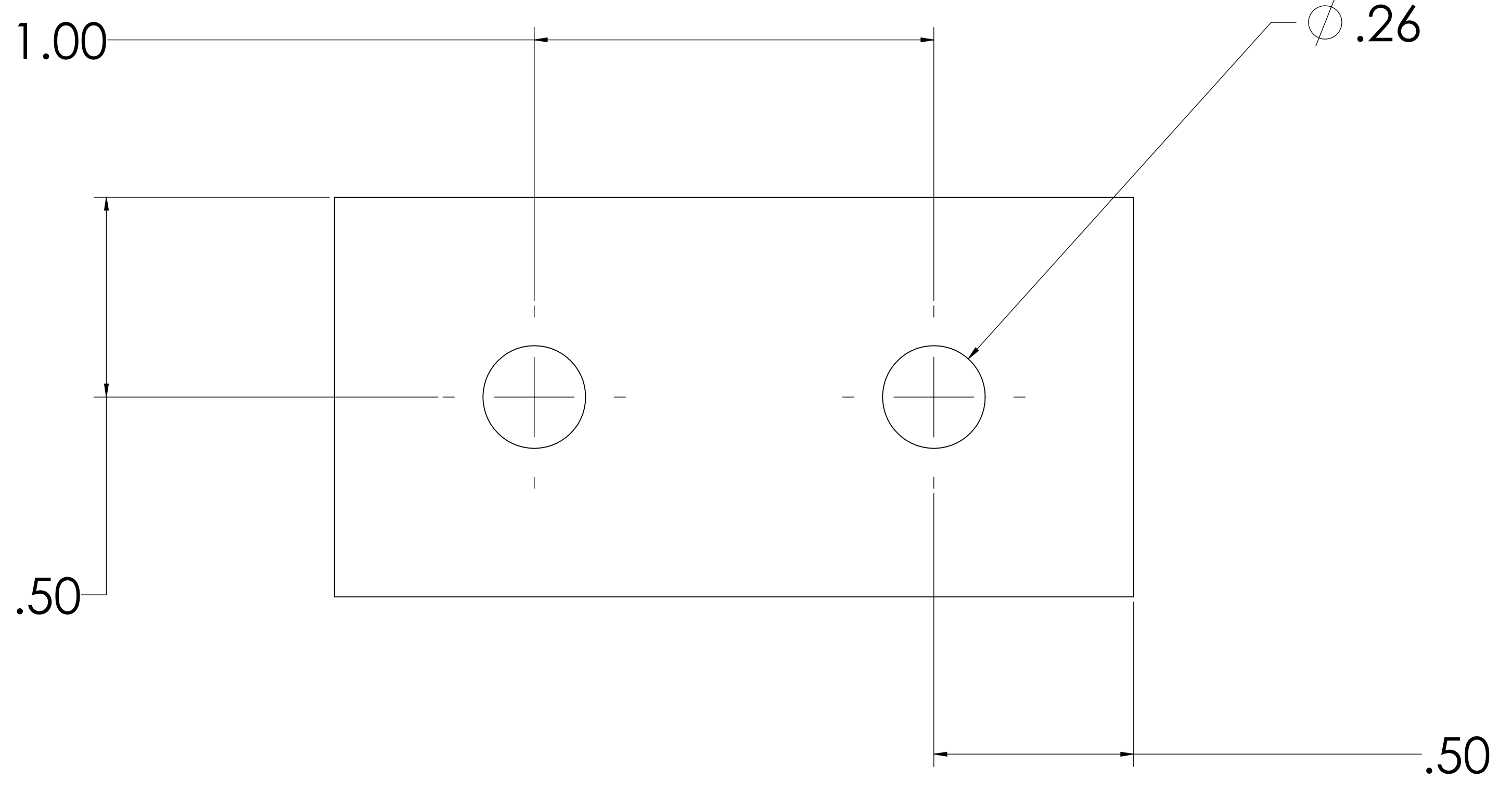
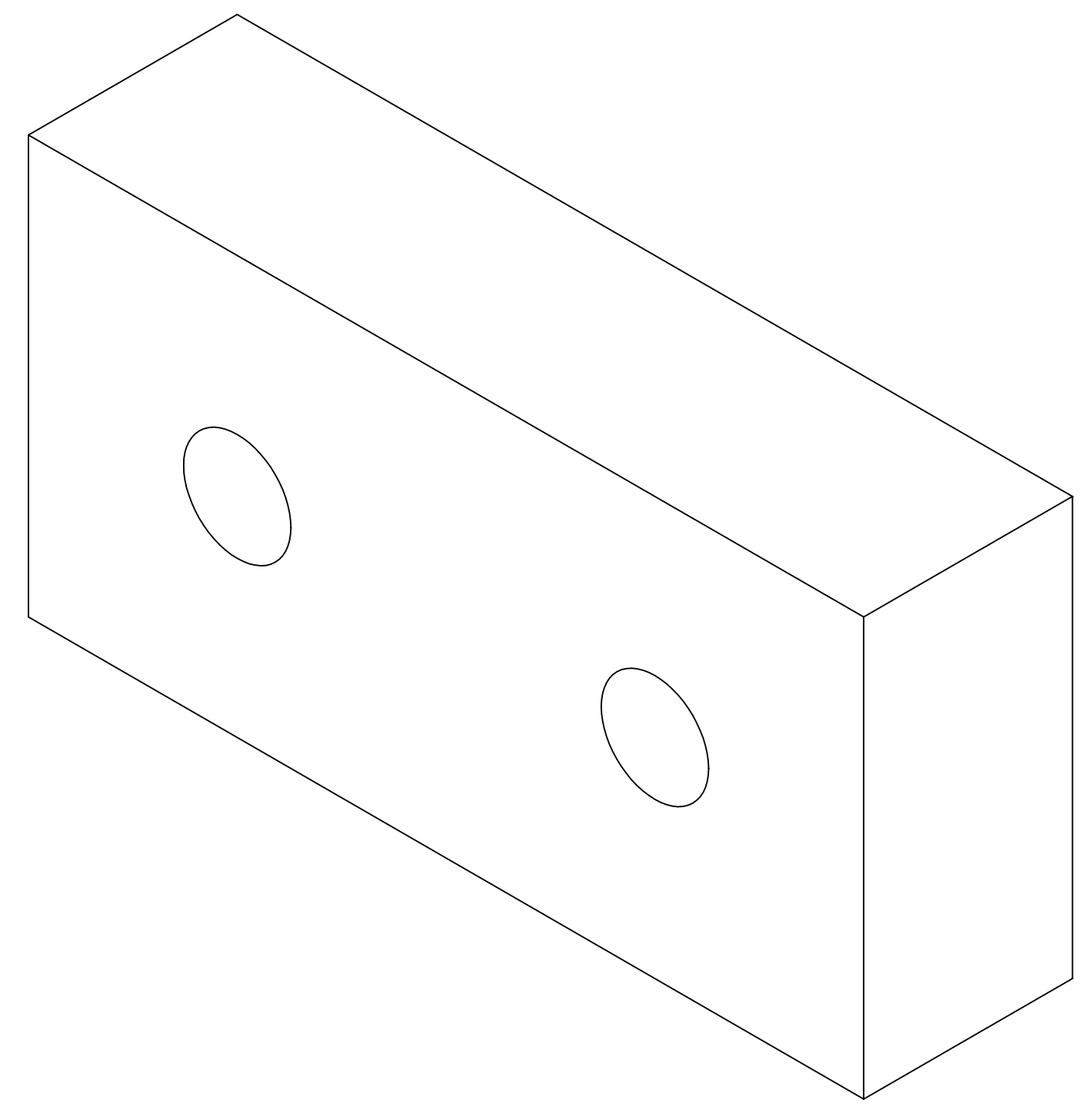
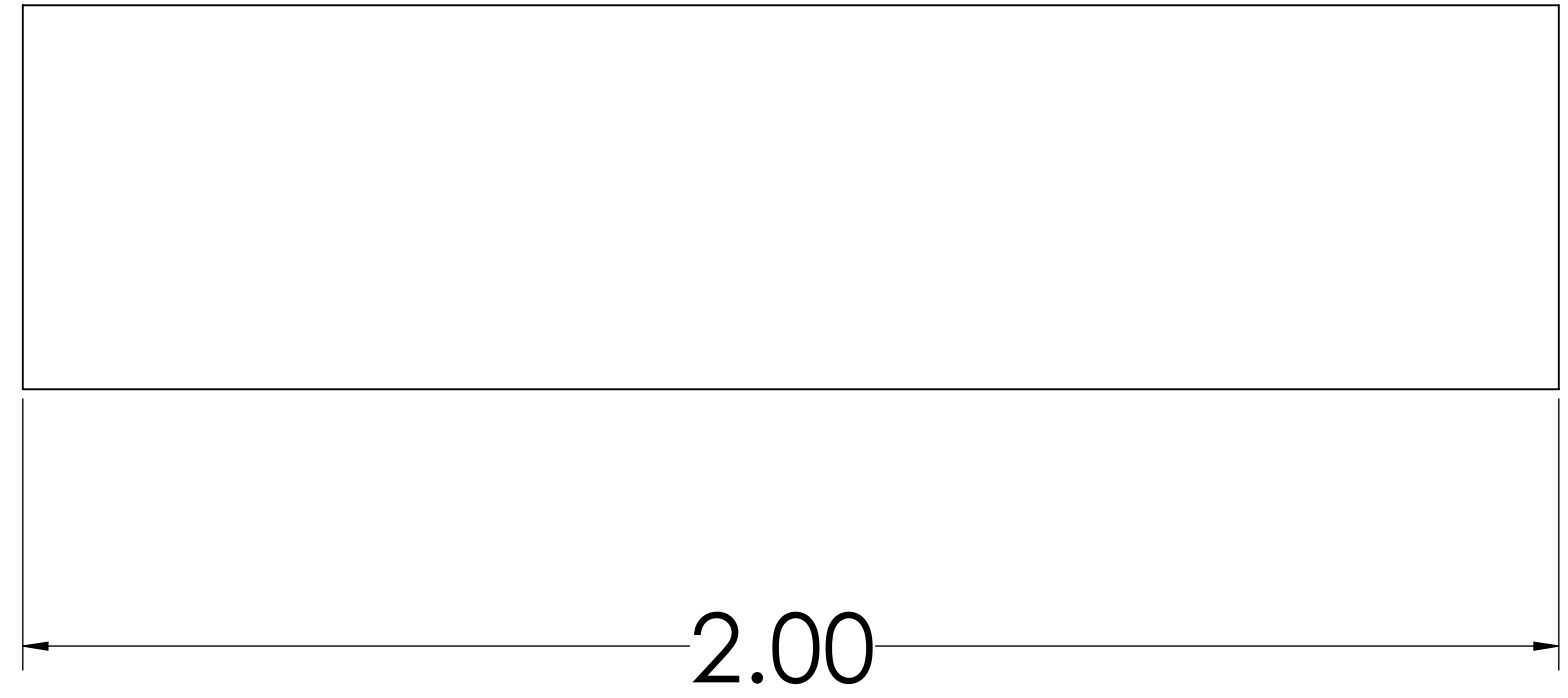
PROPRIETARY AND CONFIDENTIAL
 THE INFORMATION CONTAINED IN THIS DRAWING IS THE SOLE PROPERTY OF
 <INSERT COMPANY NAME HERE>. ANY
 REPRODUCTION IN PART OR AS A WHOLE
 WITHOUT THE WRITTEN PERMISSION OF
 <INSERT COMPANY NAME HERE> IS
 PROHIBITED.

UNLESS OTHERWISE SPECIFIED:		NAME	DATE
DRAWN			
CHECKED			
ENG APPR.			
MFG APPR.			
INTERPRET GEOMETRIC TOLERANCING PER:		Q.A.	
MATERIAL		COMMENTS:	
NEXT ASSY	USED ON	FINISH	
APPLICATION			

TITLE:
Y Connection

SIZE DWG. NO. REV
Balance Engineering 2

SCALE: 2:1 WEIGHT: SHEET 8 OF 9



PROPRIETARY AND CONFIDENTIAL
 THE INFORMATION CONTAINED IN THIS DRAWING IS THE SOLE PROPERTY OF
 <INSERT COMPANY NAME HERE>. ANY
 REPRODUCTION IN PART OR AS A WHOLE
 WITHOUT THE WRITTEN PERMISSION OF
 <INSERT COMPANY NAME HERE> IS
 PROHIBITED.

UNLESS OTHERWISE SPECIFIED:		DRAWN	NAME	DATE
DIMENSIONS ARE IN INCHES		CHECKED		
TOLERANCES:		ENG APPR.		
FRACTIONAL ±		MFG APPR.		
ANGULAR: MACH ±		Q.A.		
BEND ±		COMMENTS:		
TWO PLACE DECIMAL ±				
THREE PLACE DECIMAL ±				
INTERPRET GEOMETRIC TOLERANCING PER:				
MATERIAL				
NEXT ASSY	USED ON	FINISH		
APPLICATION				

TITLE:
Y Step

SIZE DWG. NO. REV
Balance Engineering 2

SCALE: 4:1 WEIGHT: SHEET 9 OF 9