

4

3

2

1

D

D

C

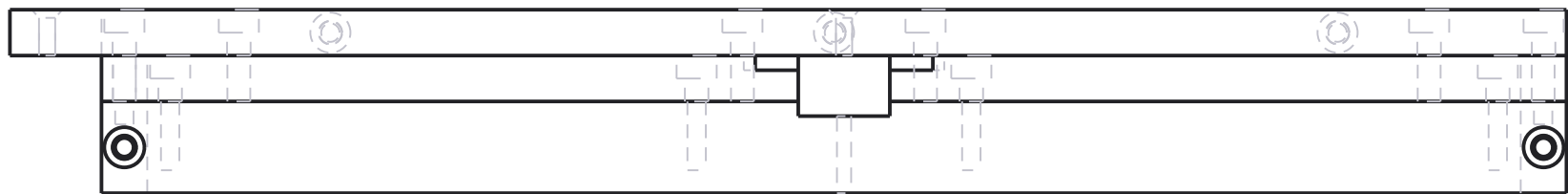
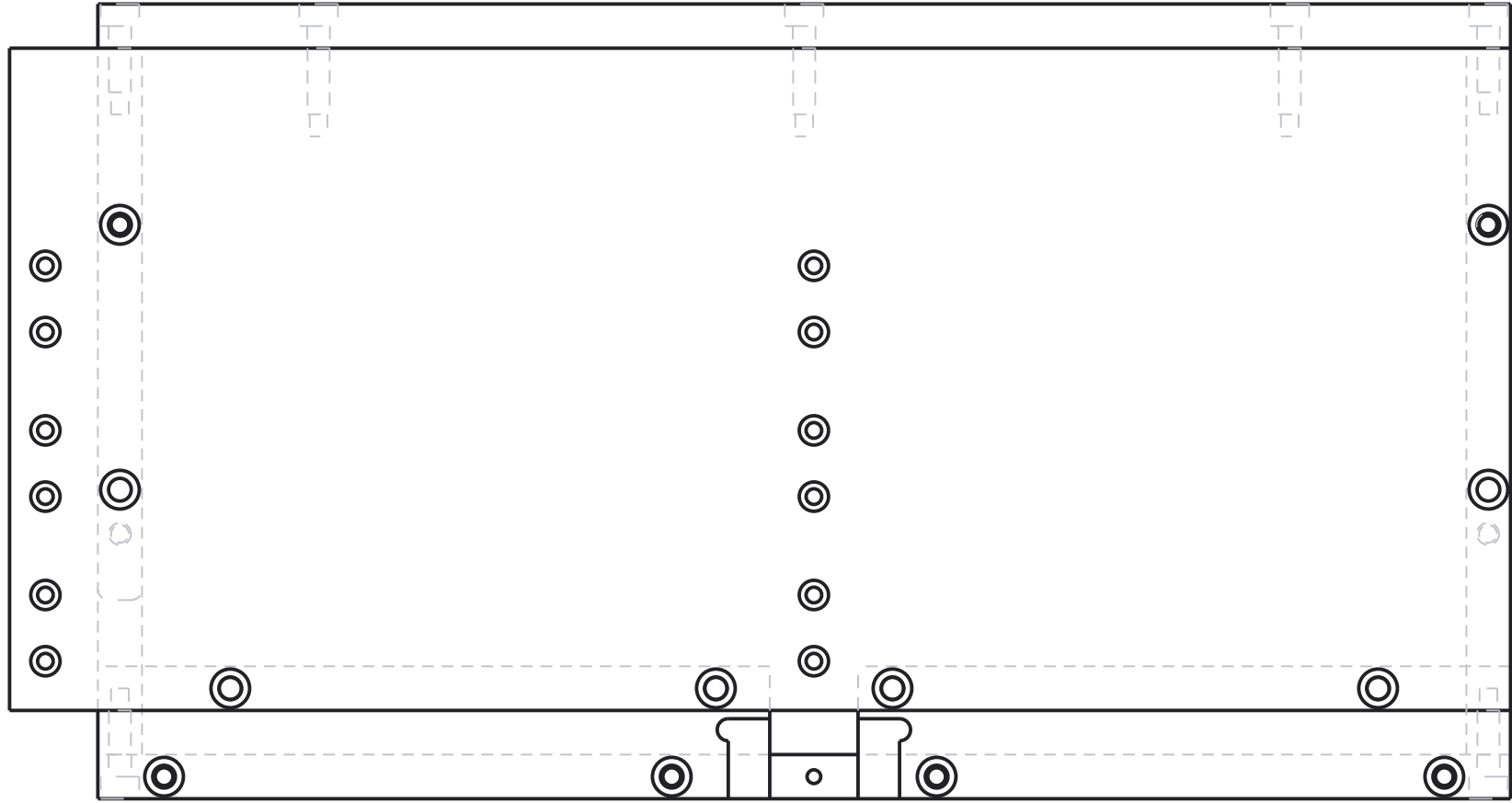
C

B

B

A

A



Multidisciplinary Senior Design	Rochester Institute of Technology BalancEngineering		
	Track System Assembly		
	5/22/12		

4

3

2

1

4

3

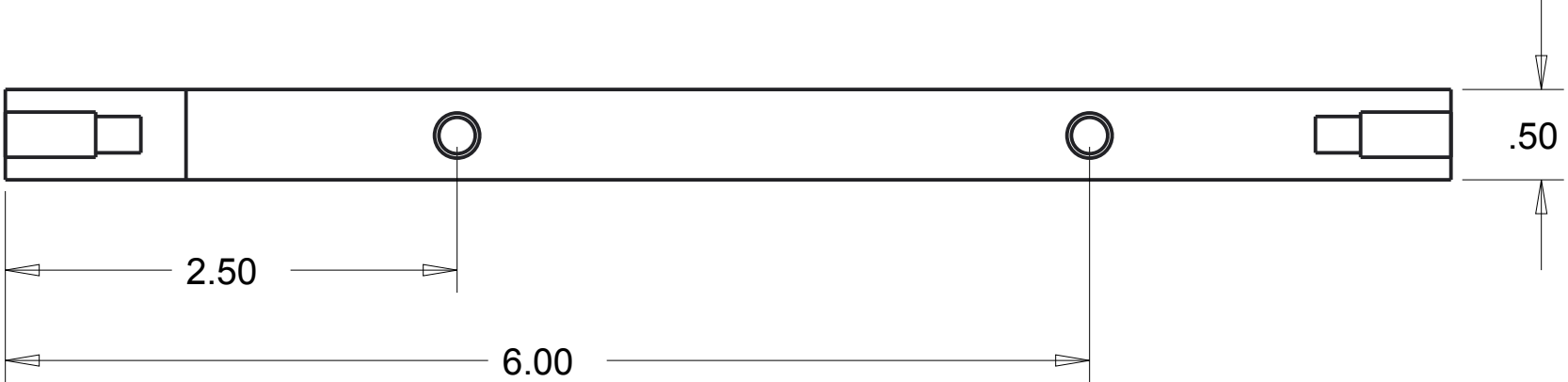
2

1

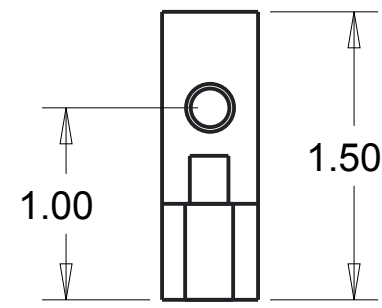
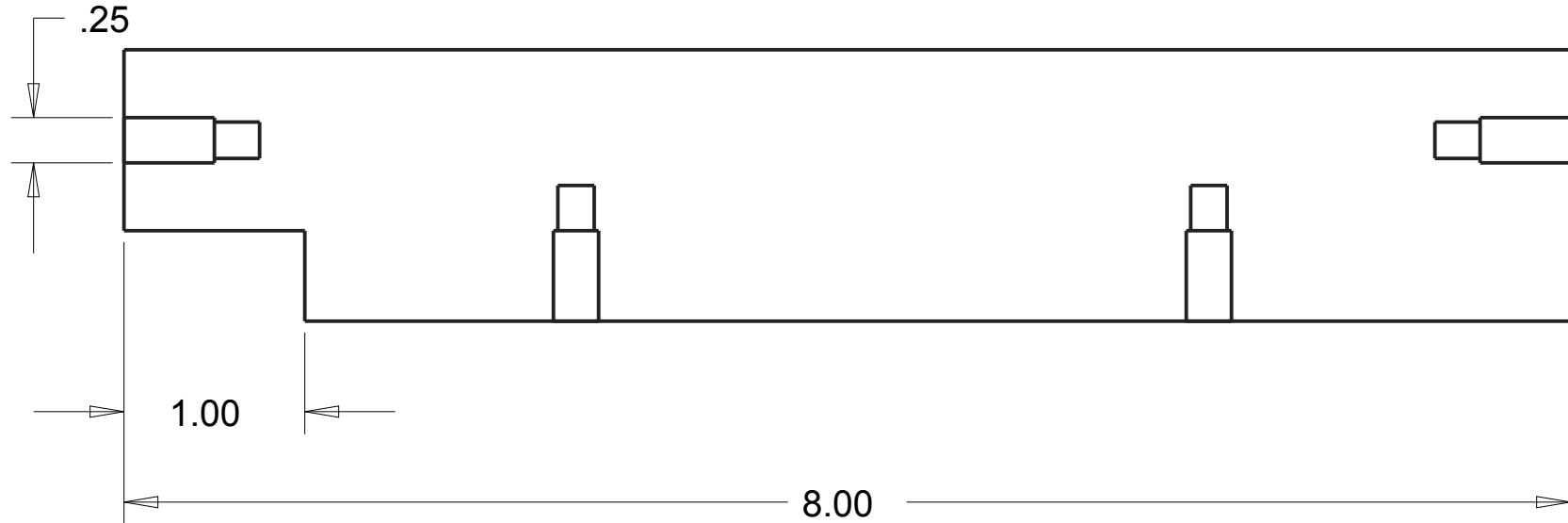
D

C

A



4x \varnothing 0.201 ∇ 0.75
 1/4"-20 UNC ∇ 0.50"



Multidisciplinary Senior Design	Rochester Institute of Technology BalancEngineering		
	Back Wall		
	5/22/12		

4

3

2

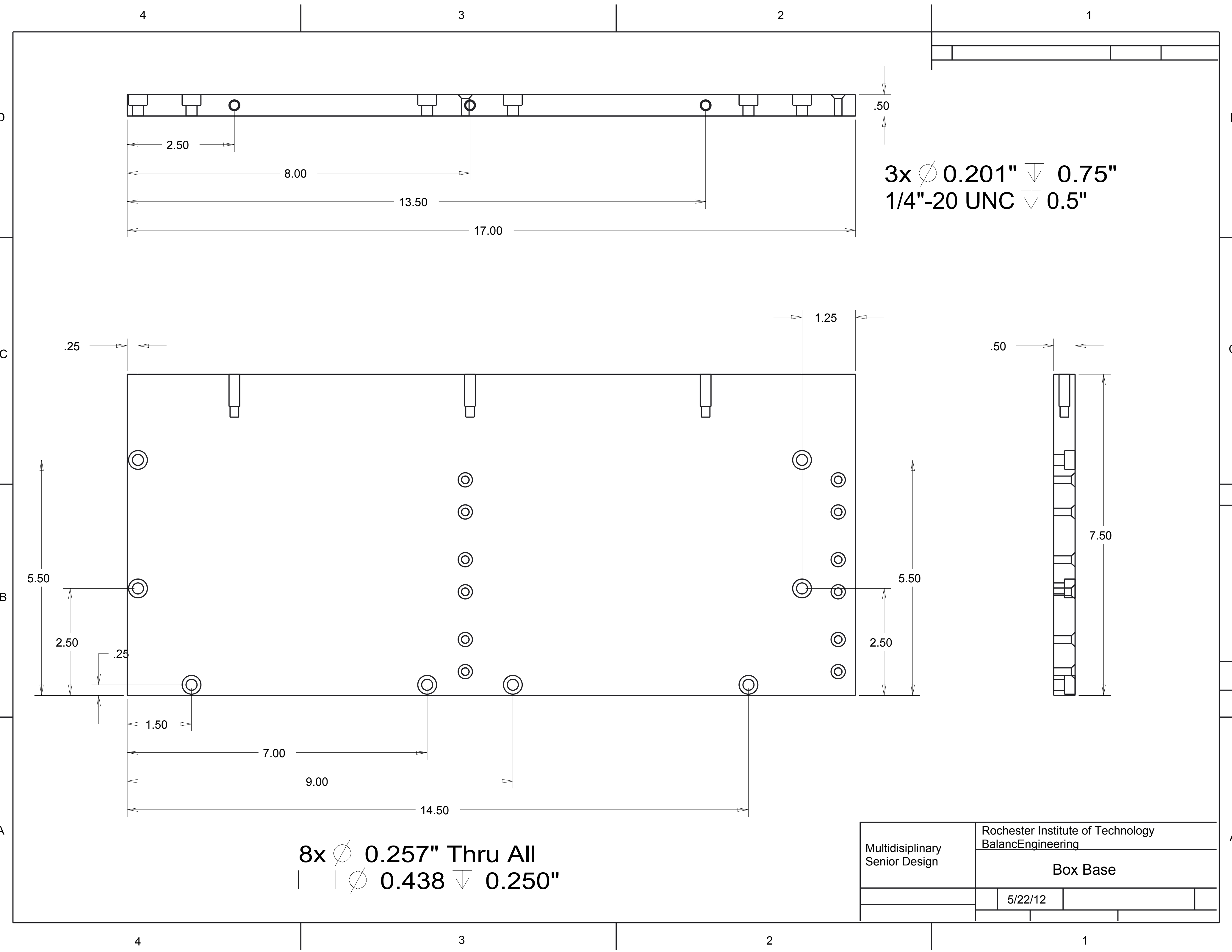
1

D

C

B

A



3x \varnothing 0.201" ∇ 0.75"
 1/4"-20 UNC ∇ 0.5"

8x \varnothing 0.257" Thru All
 \square \varnothing 0.438 ∇ 0.250"

Multidisciplinary Senior Design	Rochester Institute of Technology BalancEngineering		
	Box Base		
	5/22/12		

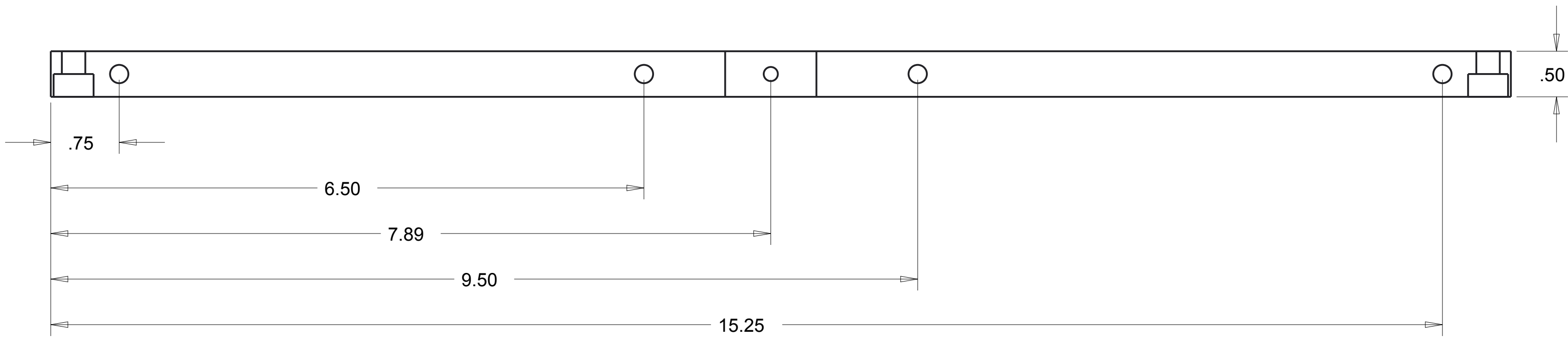
4

3

2

1

4x \varnothing 0.201" ∇ 0.75"
 1/4"-20 UNC ∇ 0.5"



D

D

C

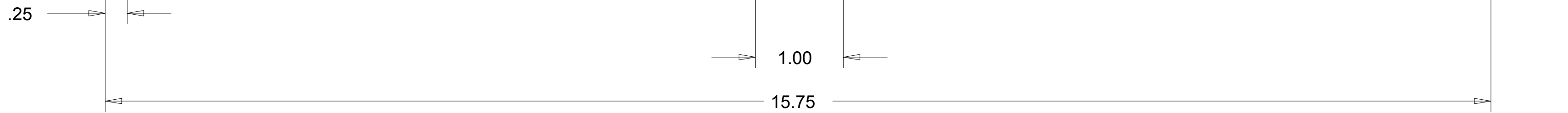
C

B

B

A

A



2x \varnothing 0.257" Thru All
 \square \varnothing 0.428" ∇ 0.250"

Multidisciplinary Senior Design	Rochester Institute of Technology BalancEngineering		
	Inner Wall		
	5/22/12		

4

3

2

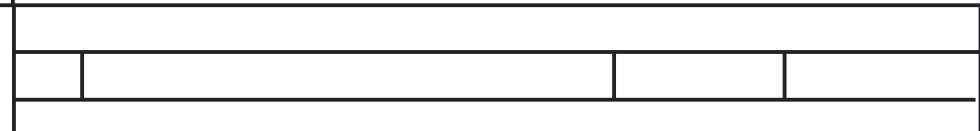
1

4

3

2

1

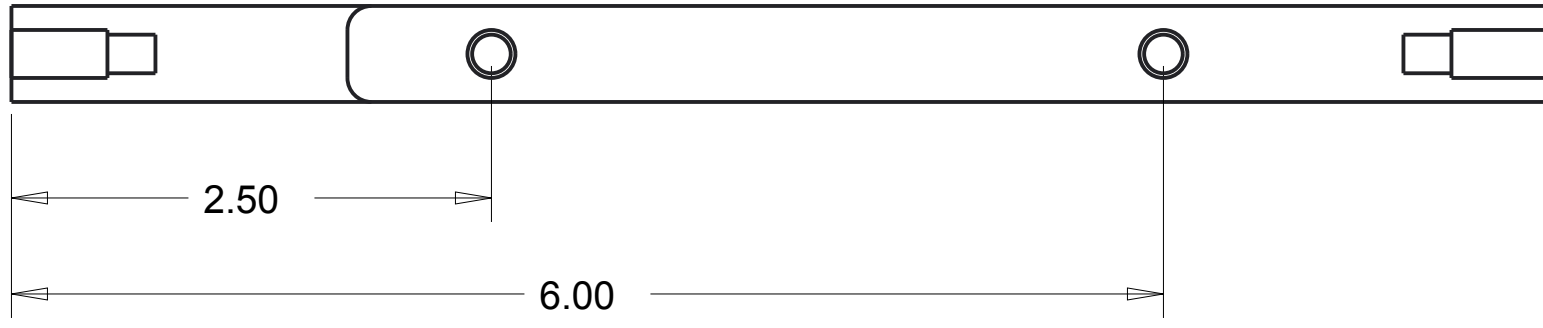


D

D

C

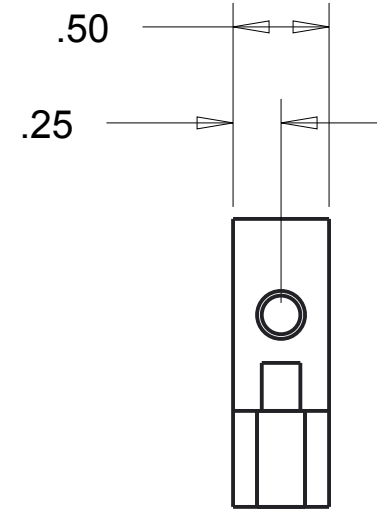
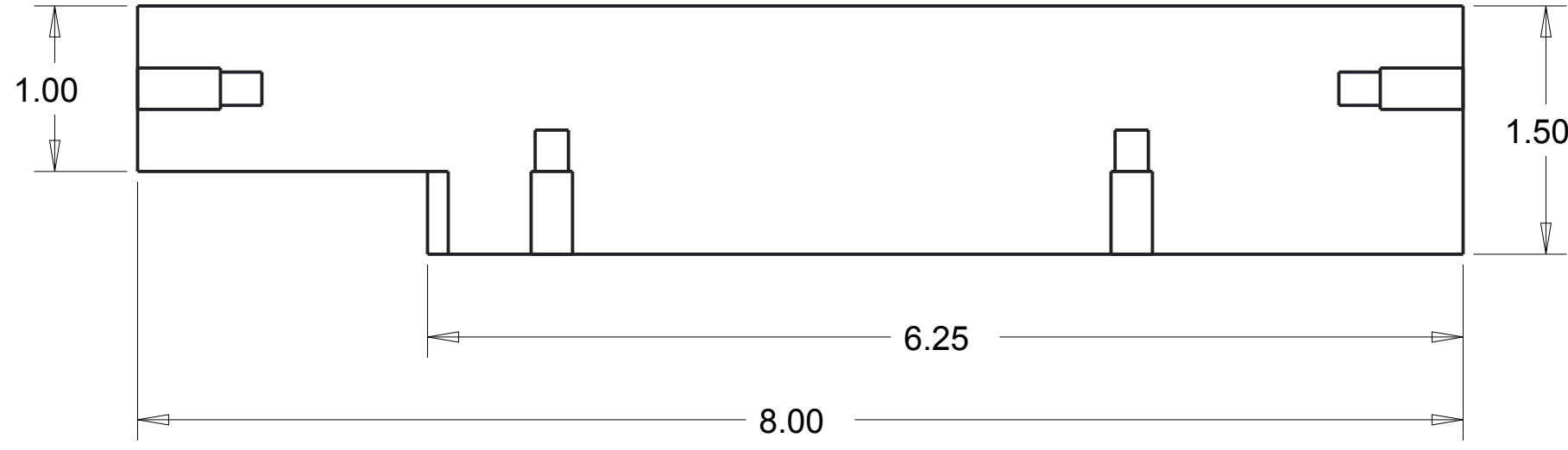
C



4x \varnothing 0.201 ∇ 0.75
 1/4"-20 UNC ∇ 0.50"

B

B



A

A

Multidisciplinary Senior Design	Rochester Institute of Technology BalancEngineering		
	Front Wall		
	5/22/12		

4

3

2

1

4

3

2

1

D

D

C

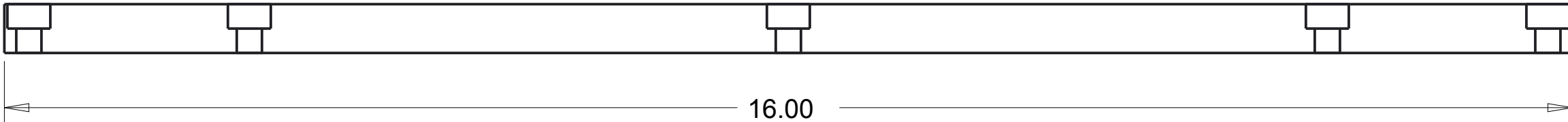
C

B

B

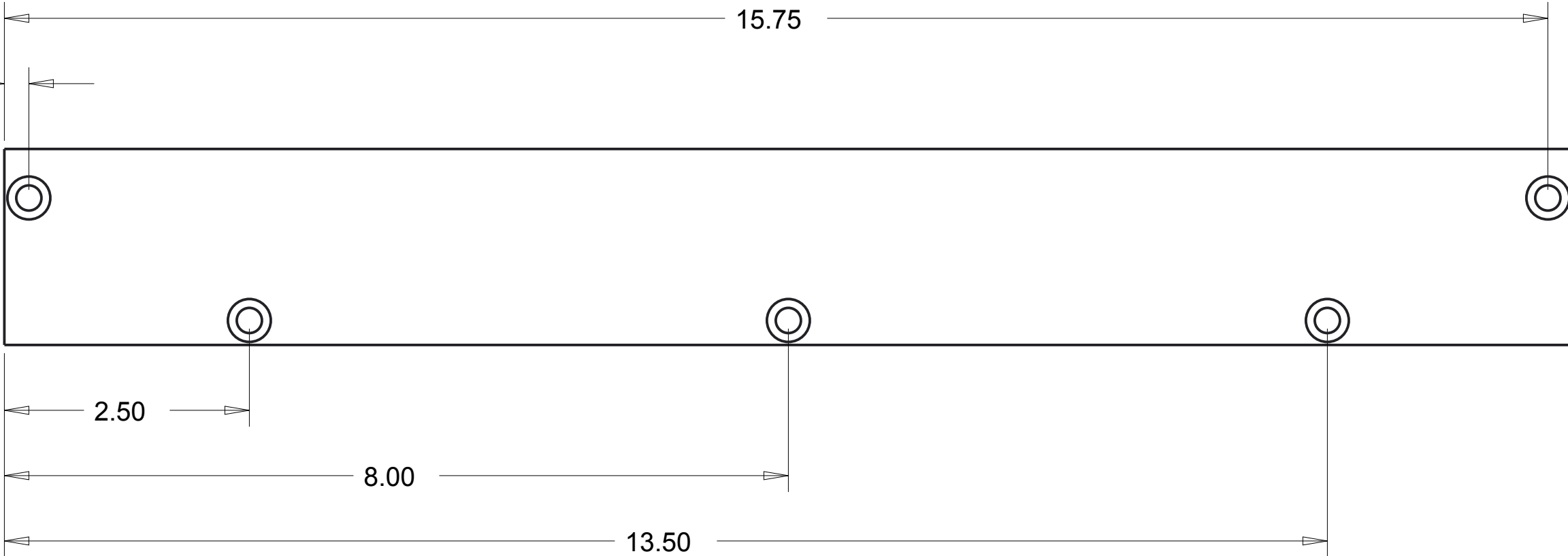
A

A



16.00

5x \varnothing 0.257" Thru All
 \square \varnothing 0.428" ∇ 0.250"



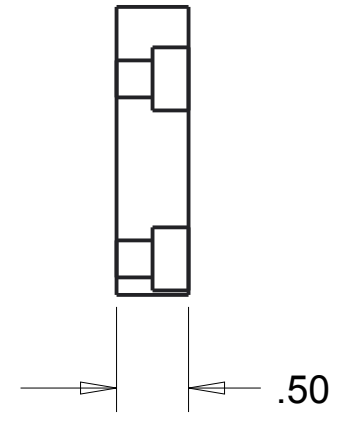
.25

15.75

2.50

8.00

13.50



.50

Multidisciplinary Senior Design	Rochester Institute of Technology BalancEngineering		
	Outer Wall		
	5/22/12		

4

3

2

1

4

3

2

1

D

D

C

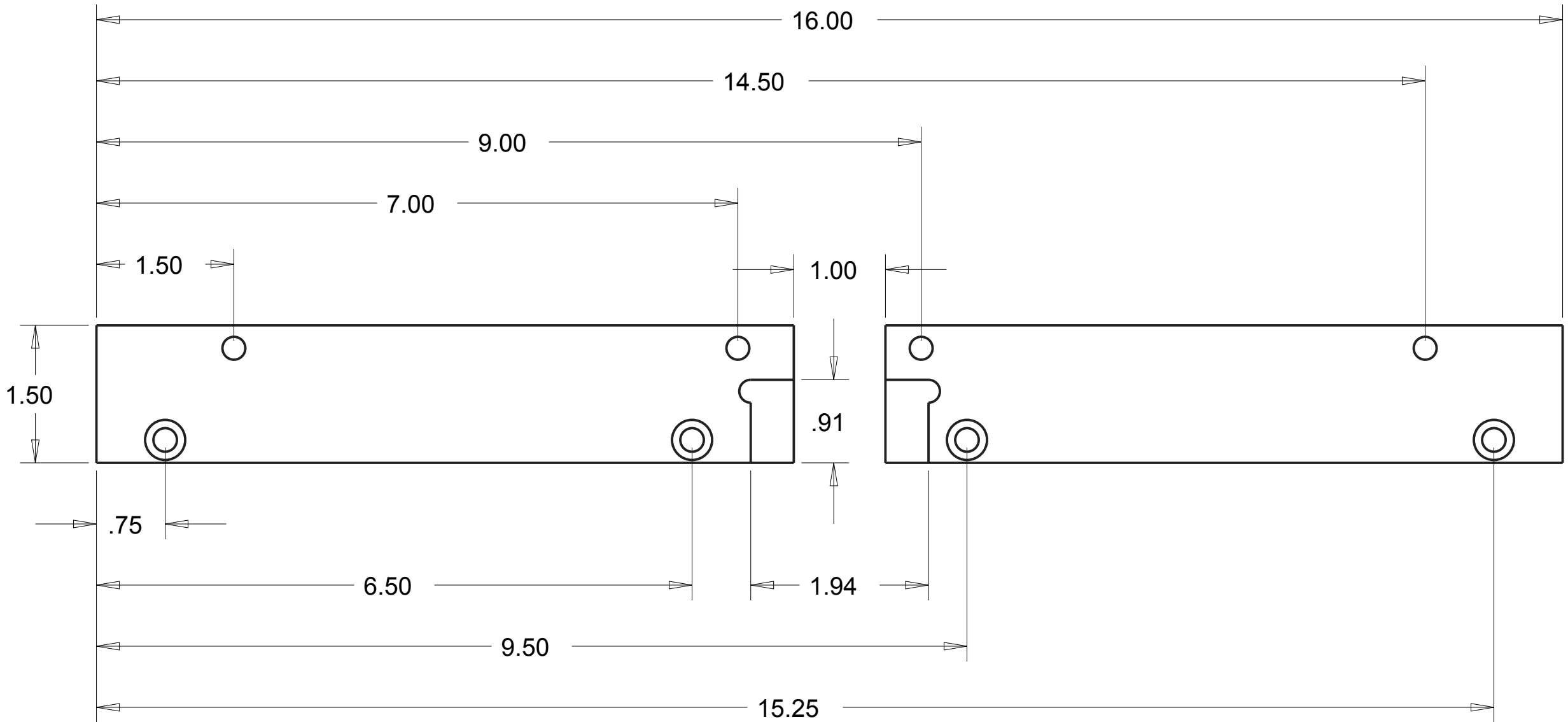
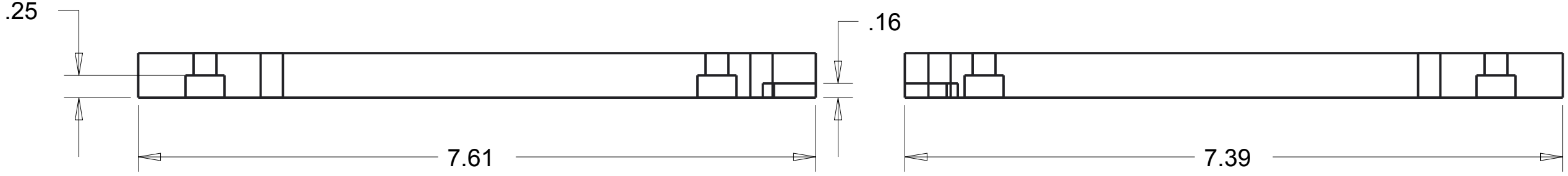
C

B

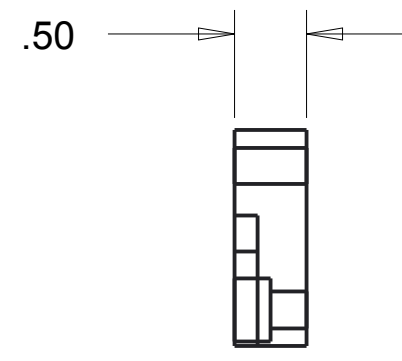
B

A

A



4x \varnothing 0.201 ∇ 0.75
 1/4"-20 UNC ∇ 0.50"



4x \varnothing 0.257" Thru All
 \square \varnothing 0.428" ∇ 0.250"

Multidisciplinary Senior Design	Rochester Institute of Technology BalancEngineering		
	Slider		
	5/22/12		

4

3

2

1