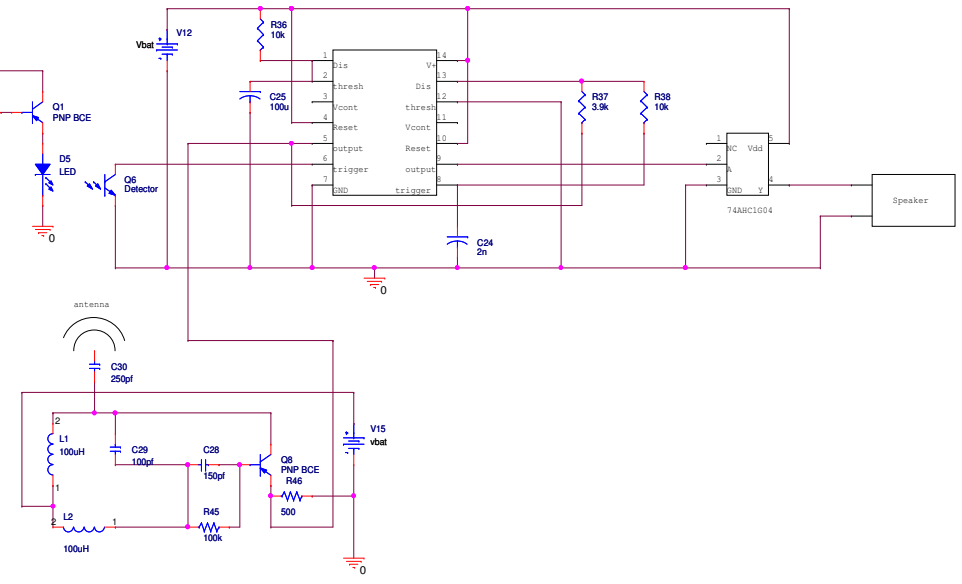
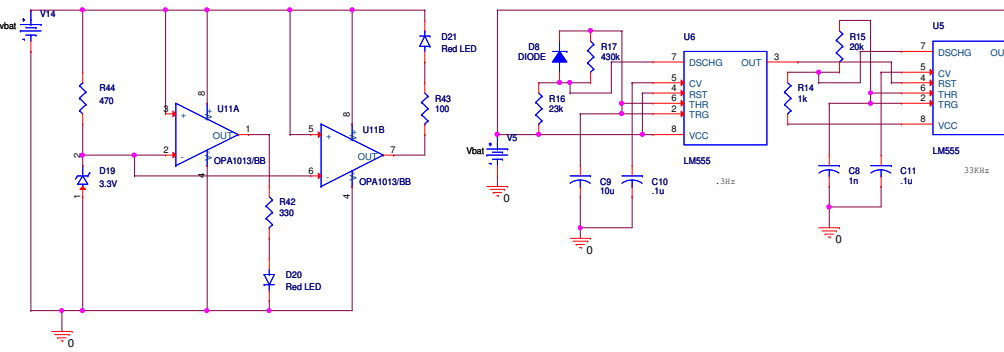


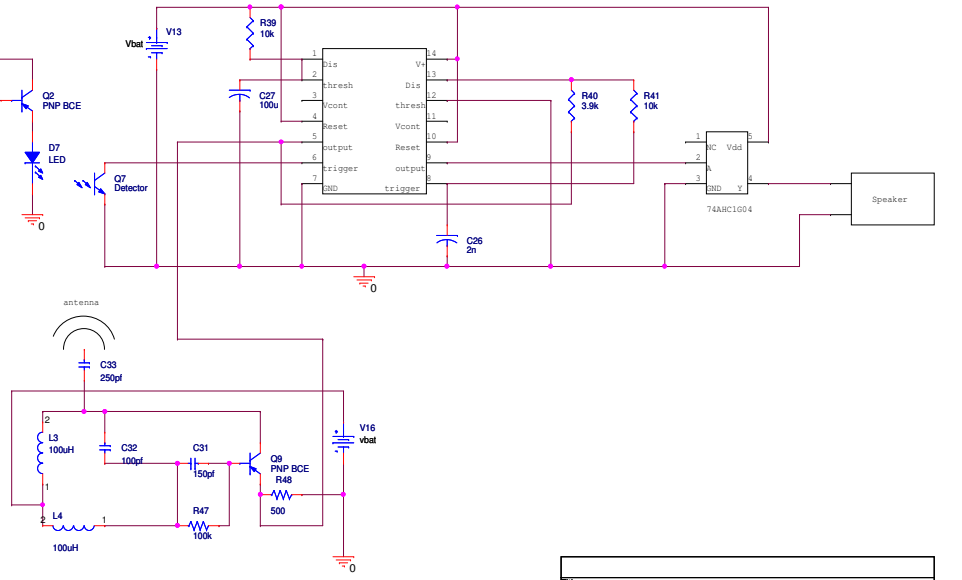
Collar A: Emits a 56 KHz pulse every .3Hz, Detects emission from Collar B (33 KHz pulse) when detects emission speaker will go off for a duration of 1.1 seconds as a frequency of 26.5 KHz.



Monostable (left bank)- used to hold trigger for 1 sec.
Astable (right bank)- used to generate a 26.5 KHz square pulse train



Collar B: Emits a 33 KHz pulse every .3Hz, Detects emission from Collar A (56 KHz pulse) when detects emission speaker will go off for a duration of 1.1 seconds as a frequency of 26.5 KHz.



Monostable (left bank)- used to hold trigger for 1 sec.
Astable (right bank)- used to generate a 26.5 KHz square pulse train

Title	<Title>	
Size	Document Number	Rev
C	<Doc>	<RevCode>
Date:	Friday, April 06, 2012	Sheet 1 of 1