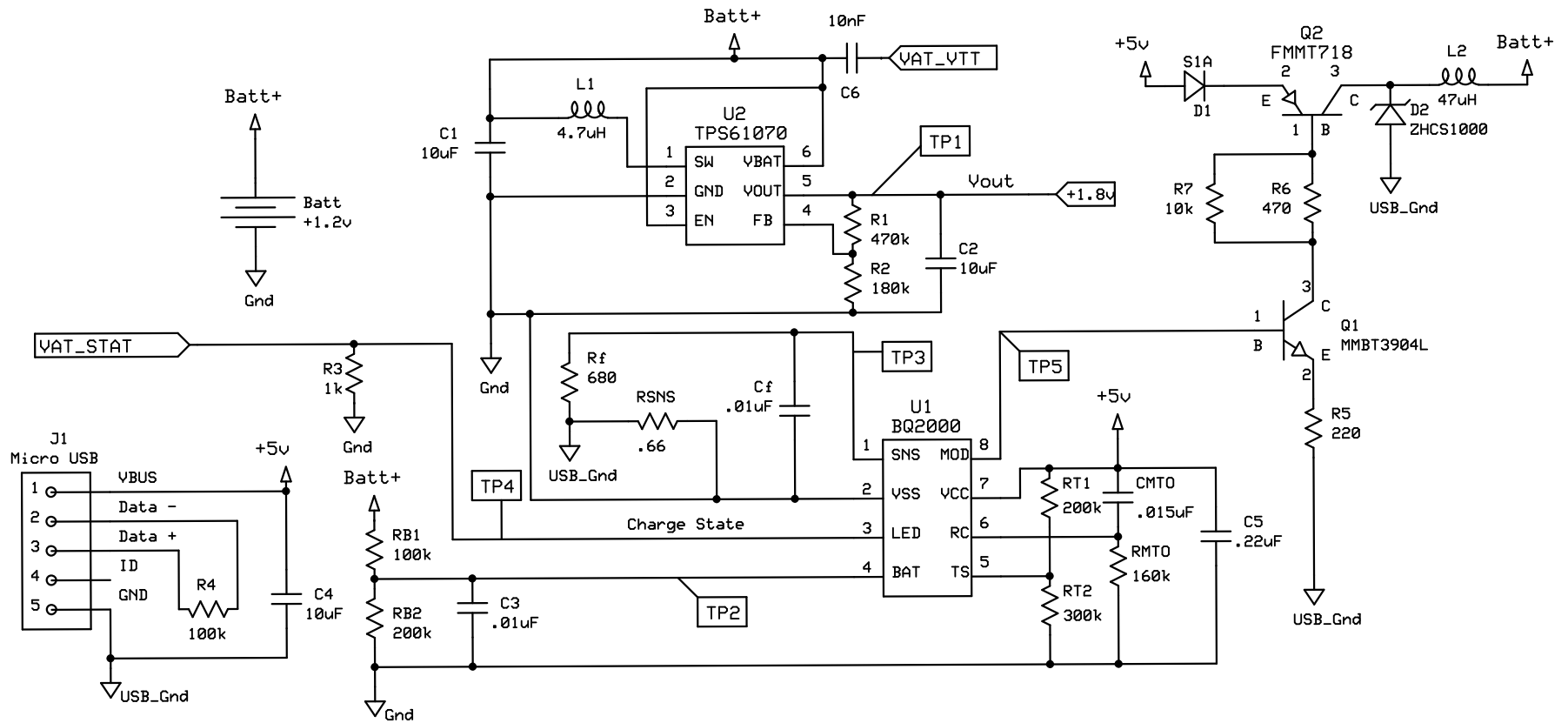
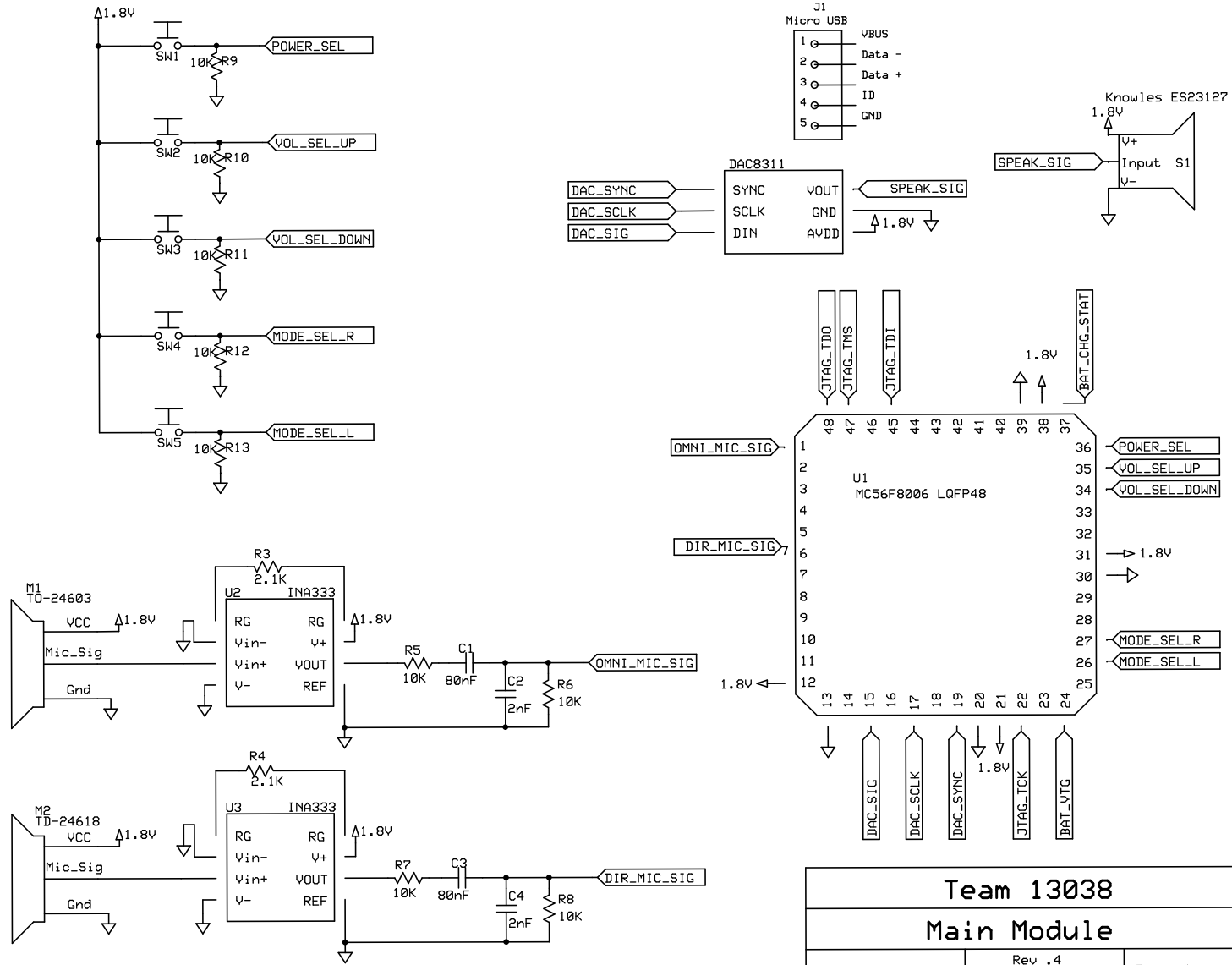


Battery Charger PCB 5.8.13



Round PCB 5.8.13



Team 13038

Main Module