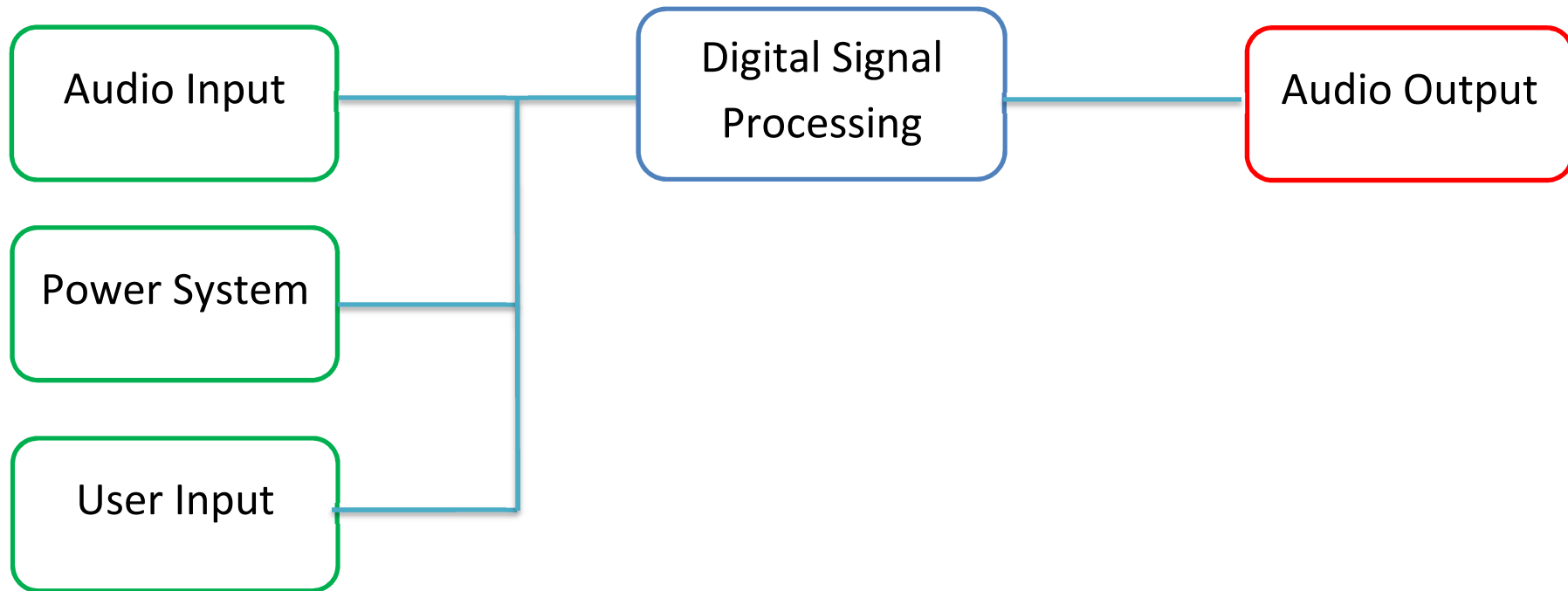


# System Architecture (Electrical)

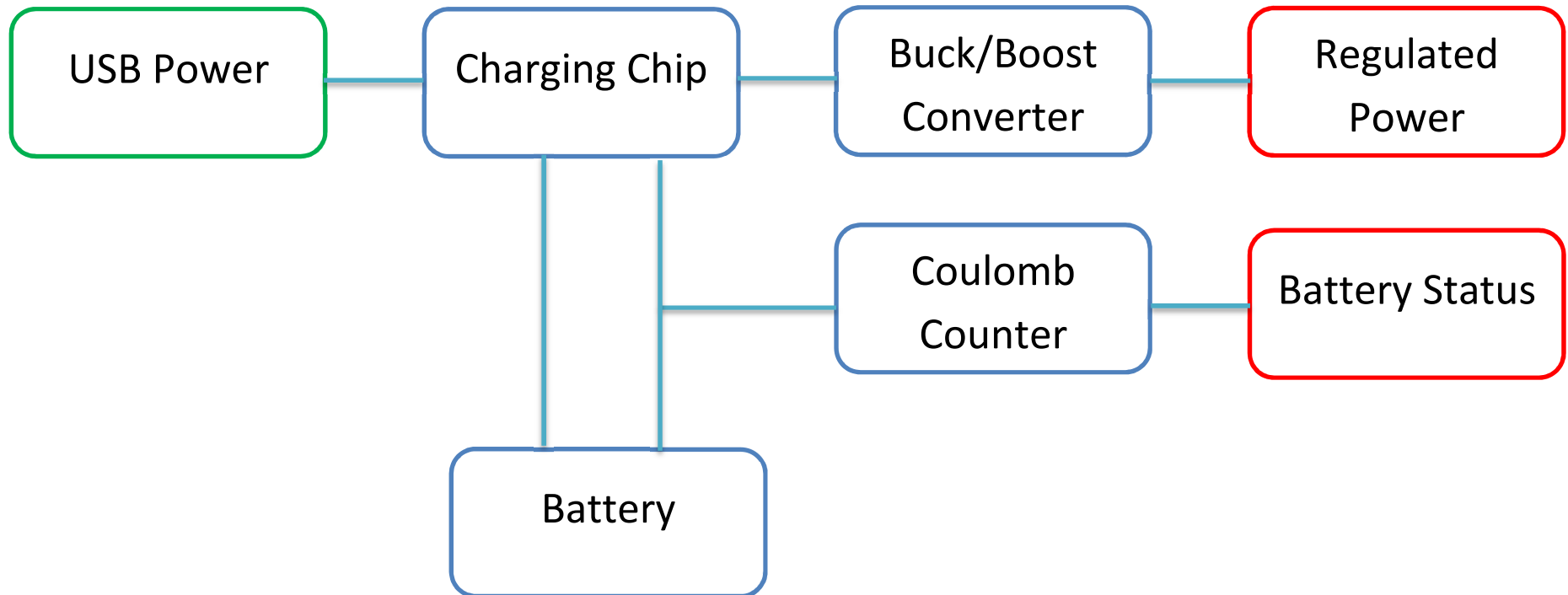


Hearing Aid Specifications (Varies slightly by hearing aid model and manufacturer):

THD at 500Hz: < 6.5% - THD at 800Hz: < 2.5% - THD at 1600Hz: < 1.5%

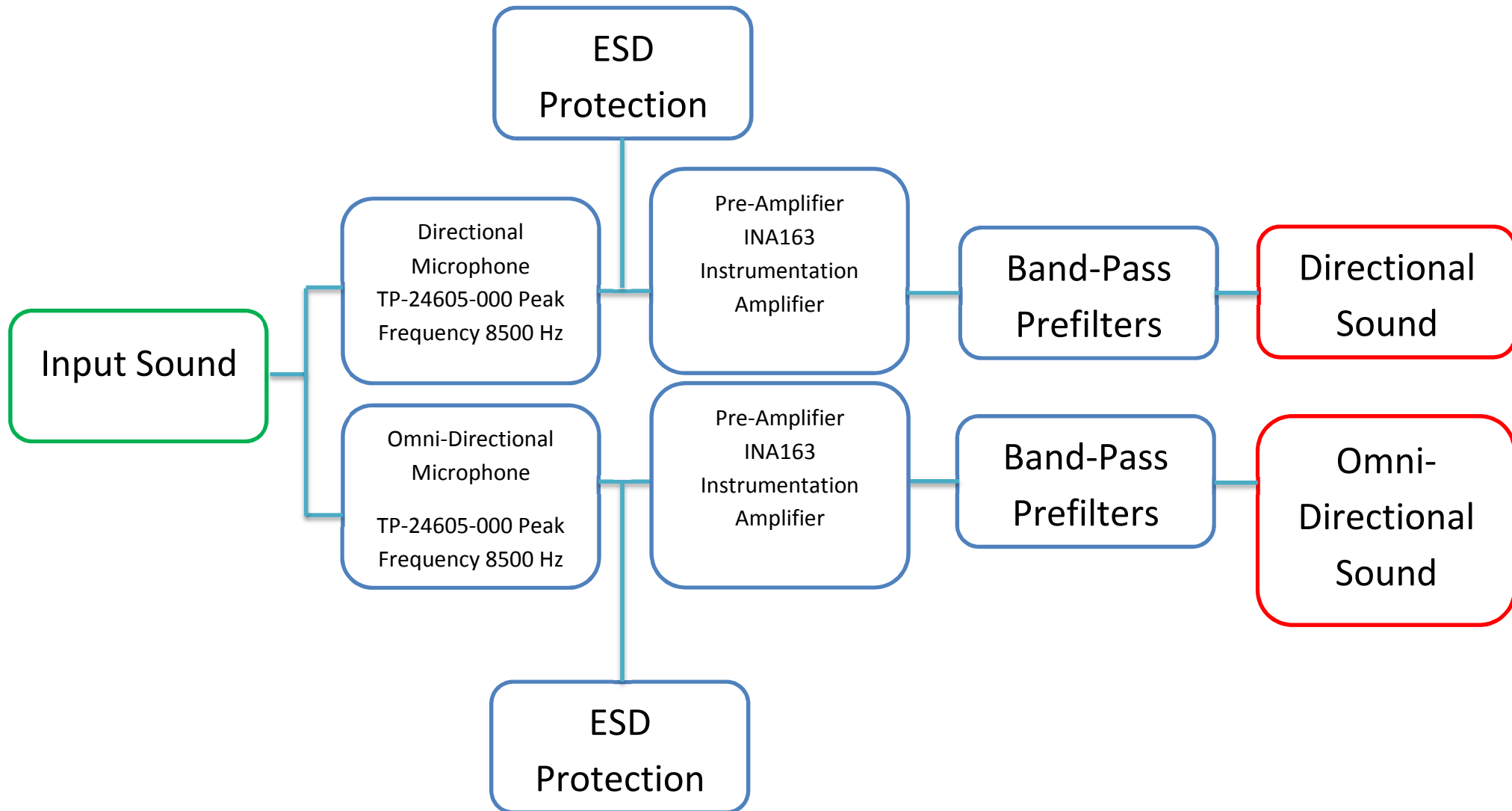
Frequency Response ~ 100 – 7000 Hz

# Power System Architecture

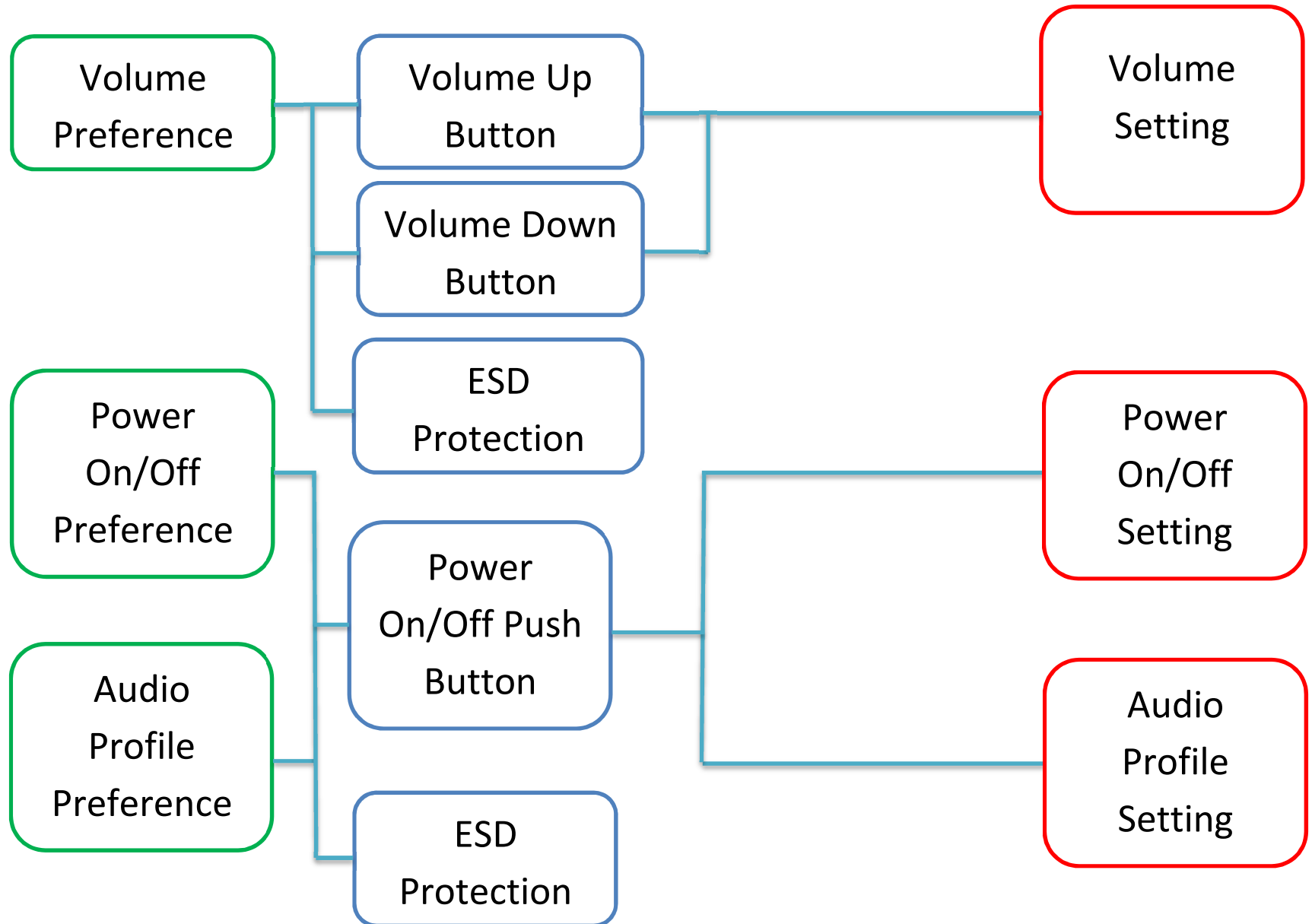


# Audio Input Architecture

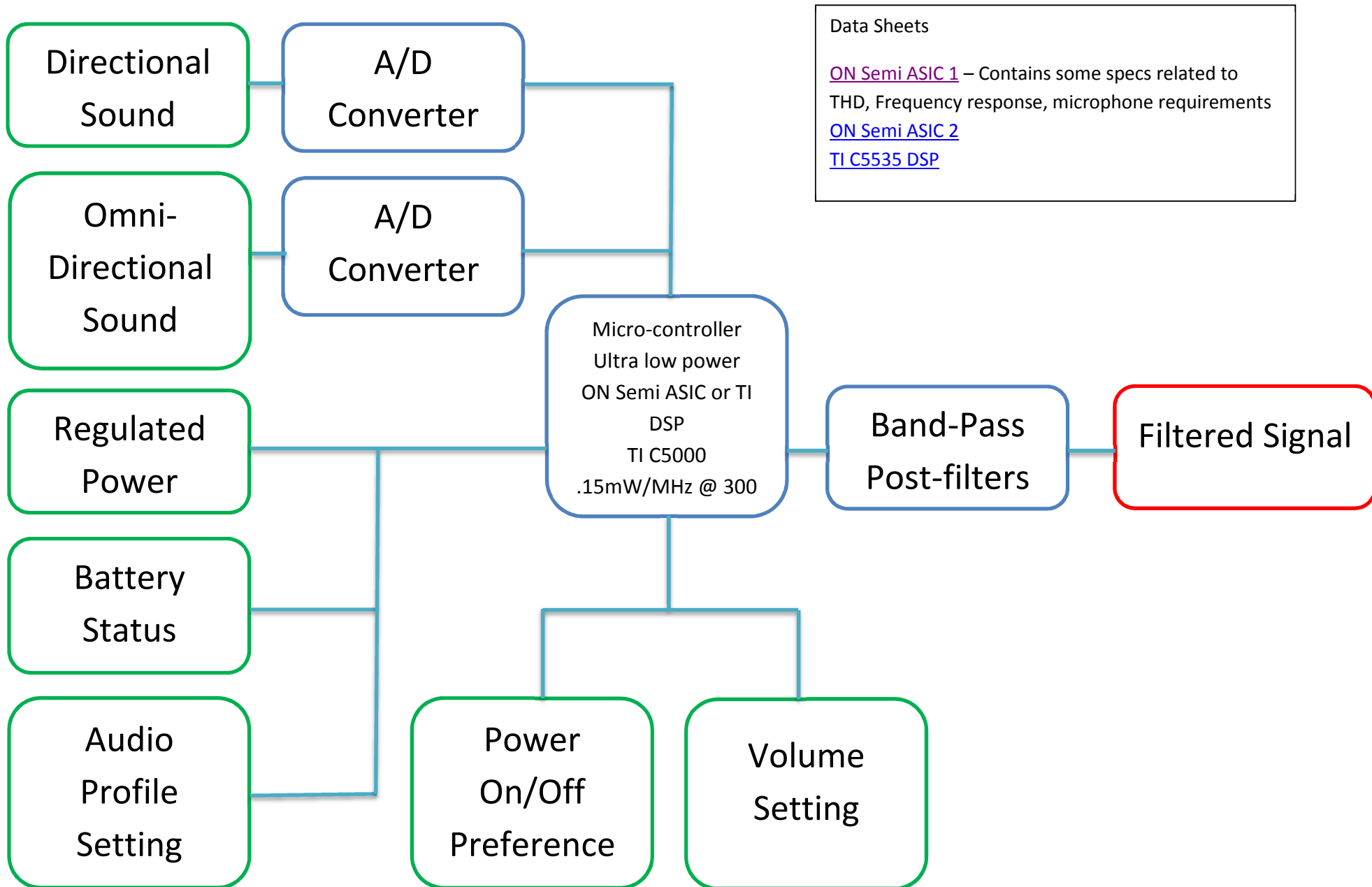
[Knowles Direction/Omni-Directional Mic](#)



# User Input Architecture



# Digital Signal Processing Architecture



# Audio Output Architecture

[Knowles Speaker](#)

