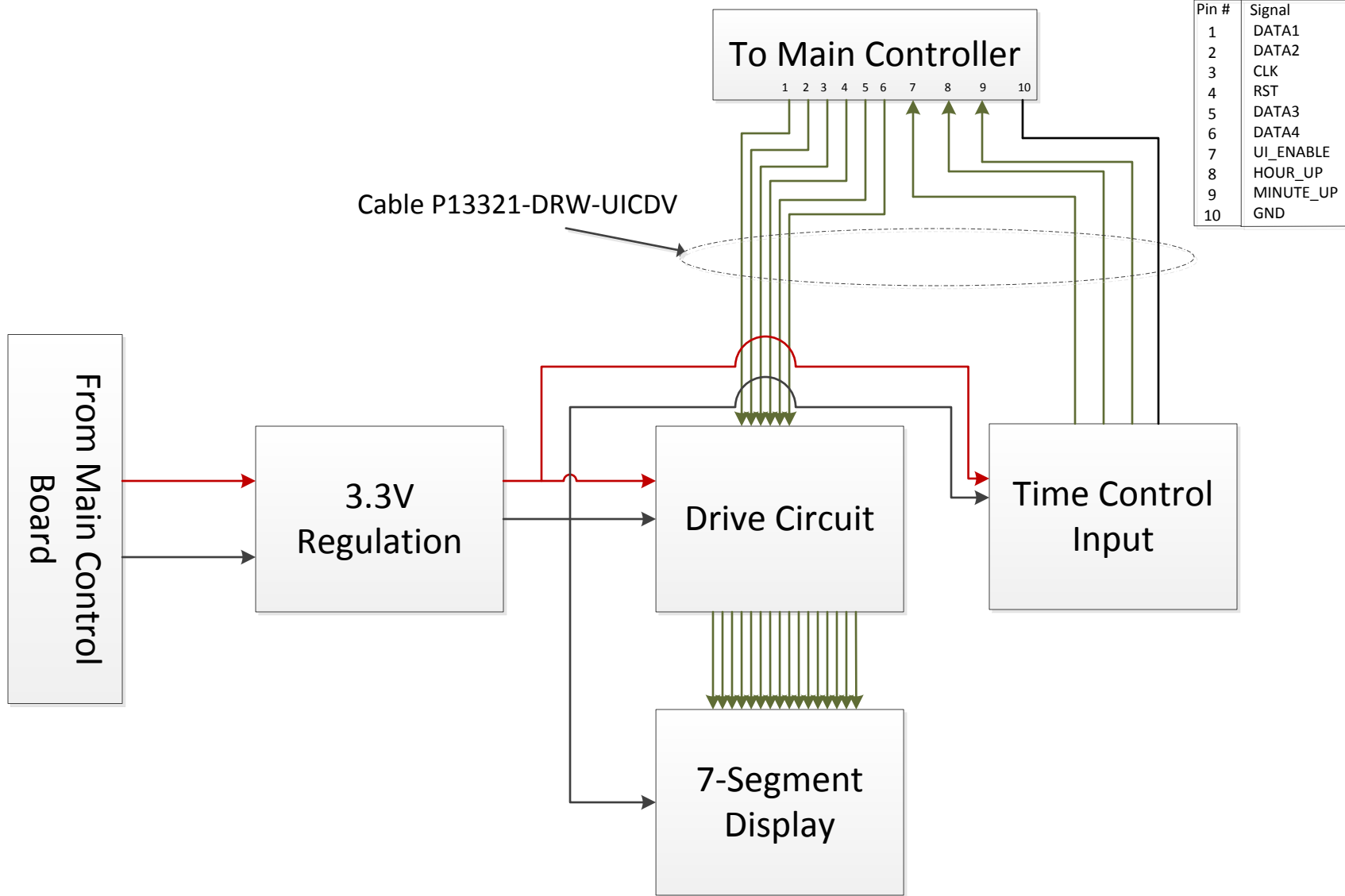


— Power  
— Ground



Pin #	Signal
1	DATA1
2	DATA2
3	CLK
4	RST
5	DATA3
6	DATA4
7	UI_ENABLE
8	HOUR_UP
9	MINUTE_UP
10	GND