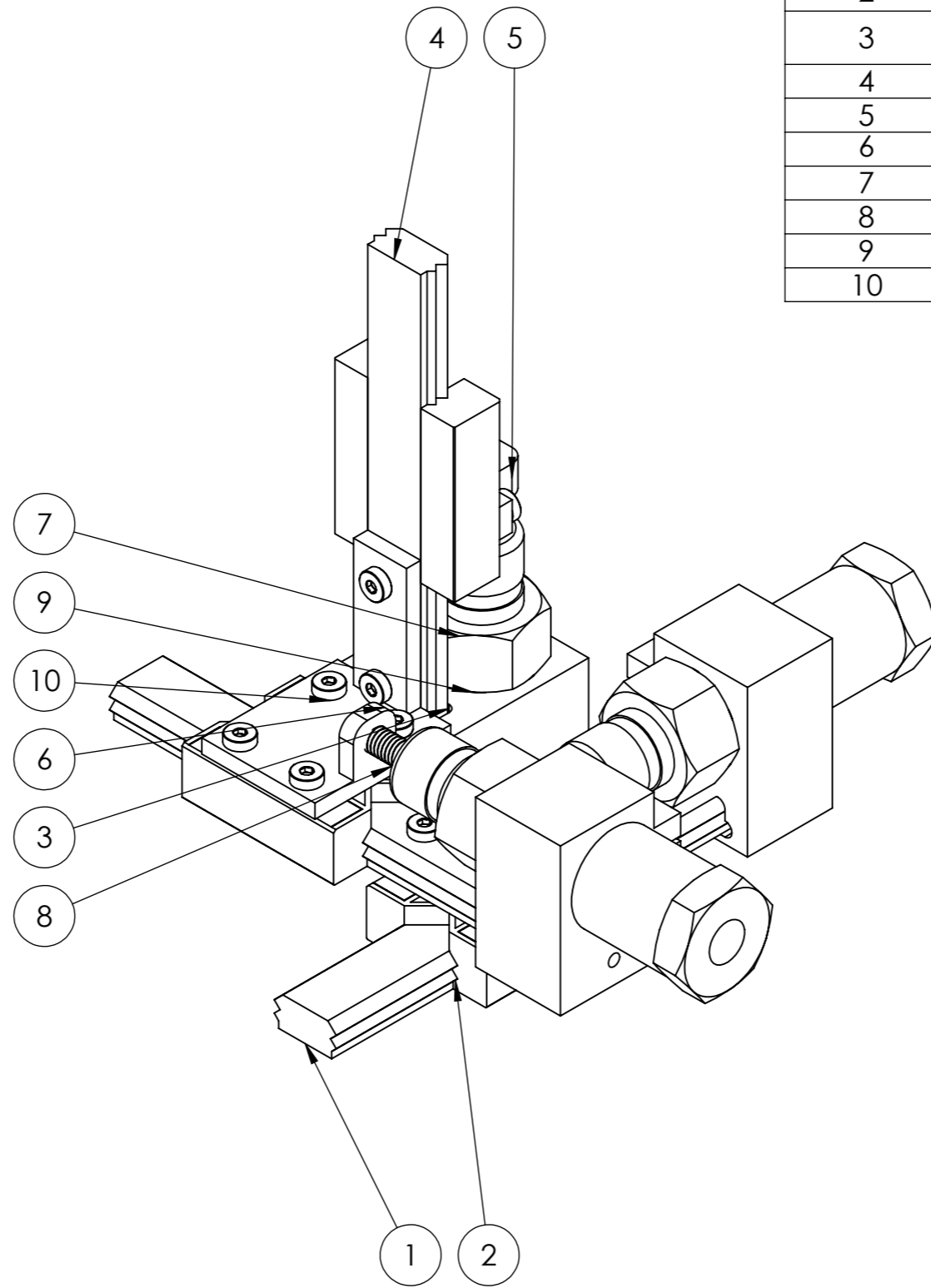
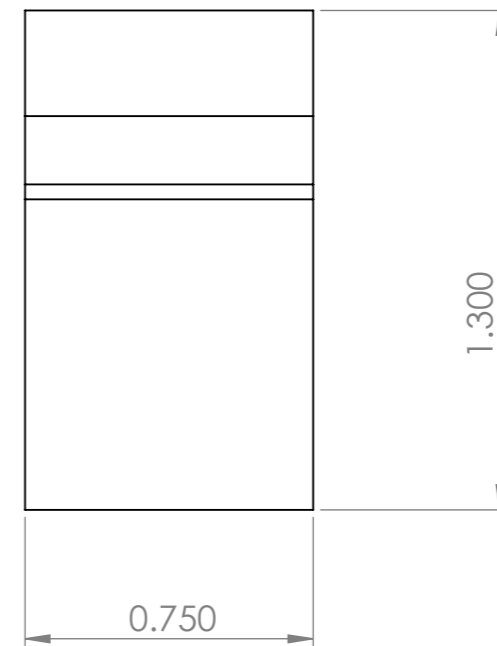
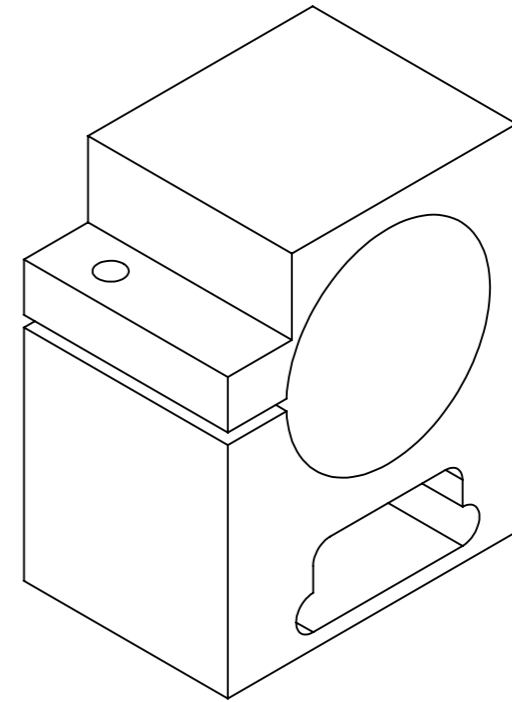
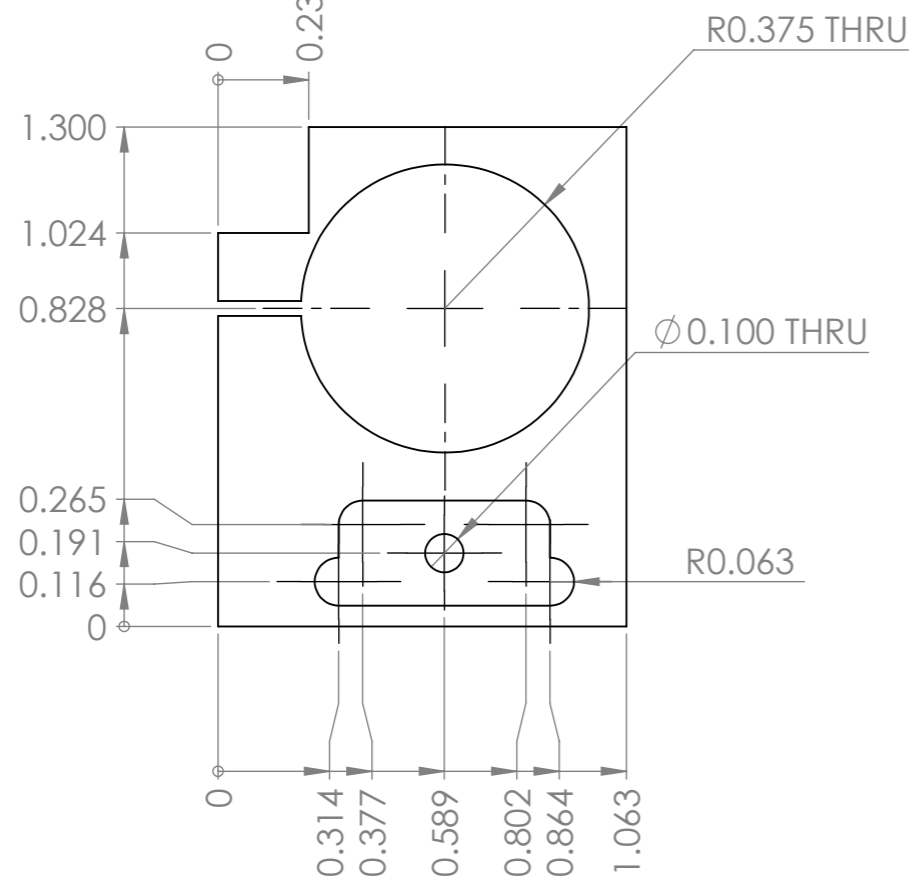
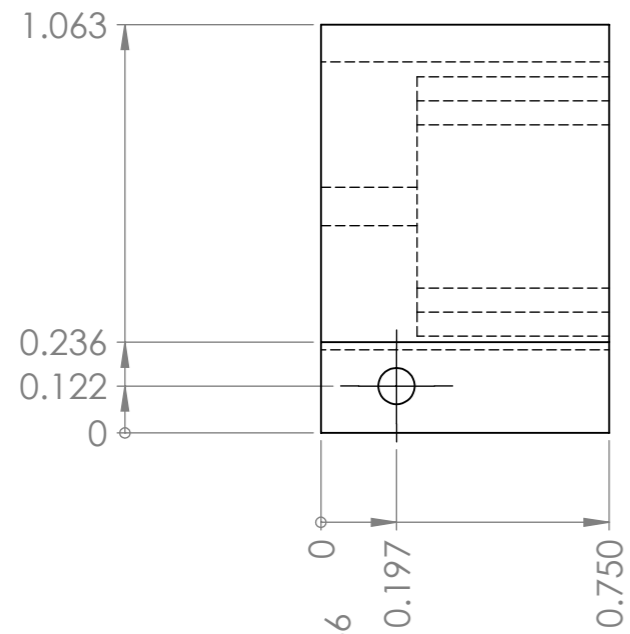


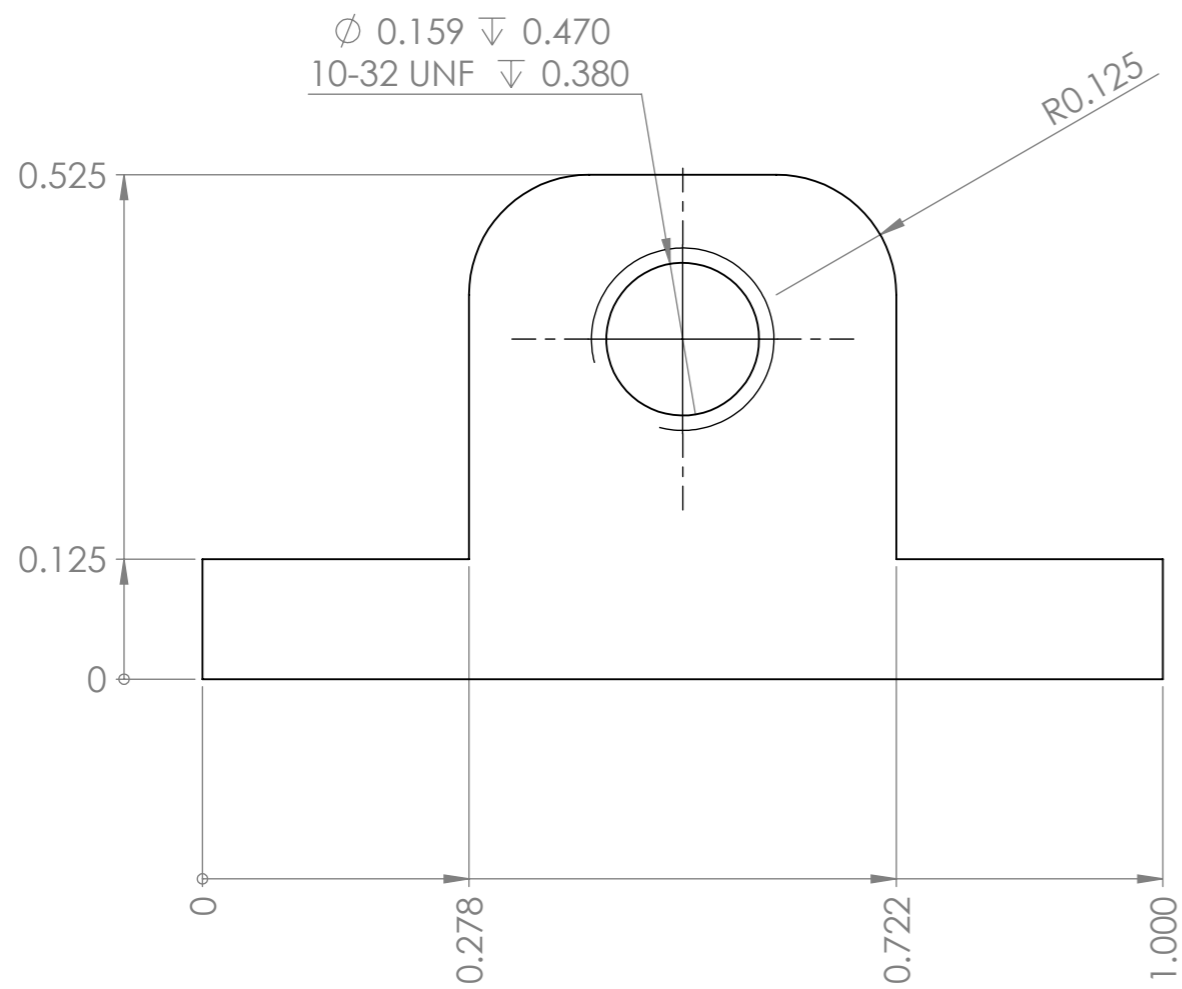
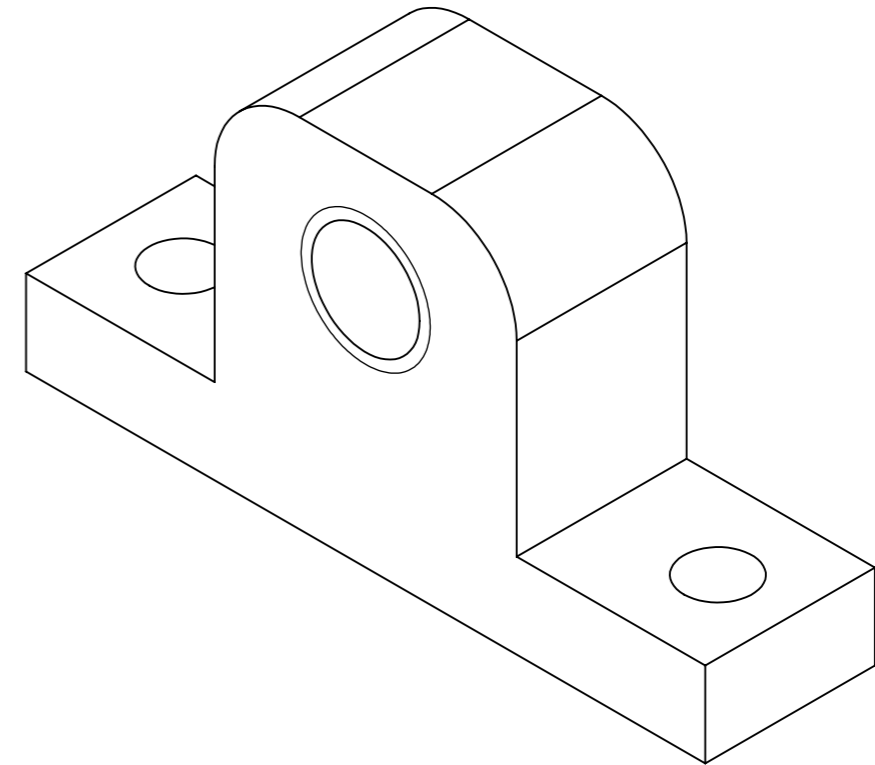
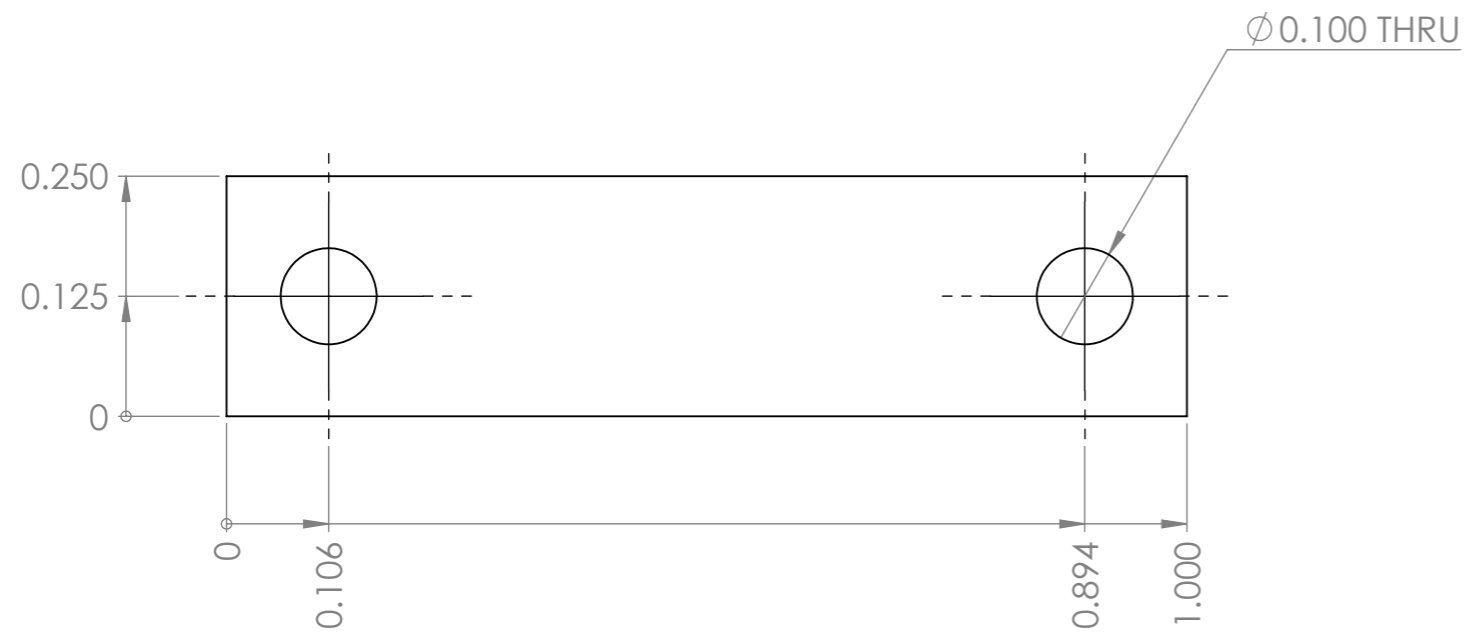
ITEM NO.	PART NUMBER	DESCRIPTION	QTY.
1	Track		1
2	9829K3 Carriage		3
3	PISTON CYLINDER MOUNT		3
4	Track1		2
5	Thread receiver		2
6	yzbracket		1
7	PISTON CYLINDER		3
8	91251A342		3
9	95036A024		3
10	92855A307		12



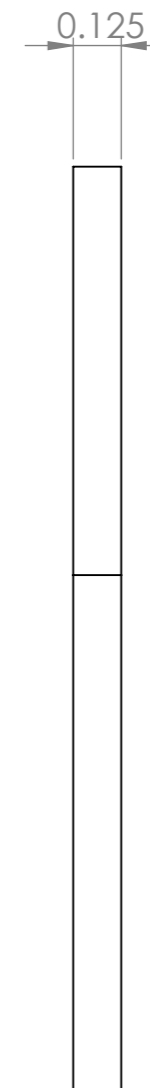
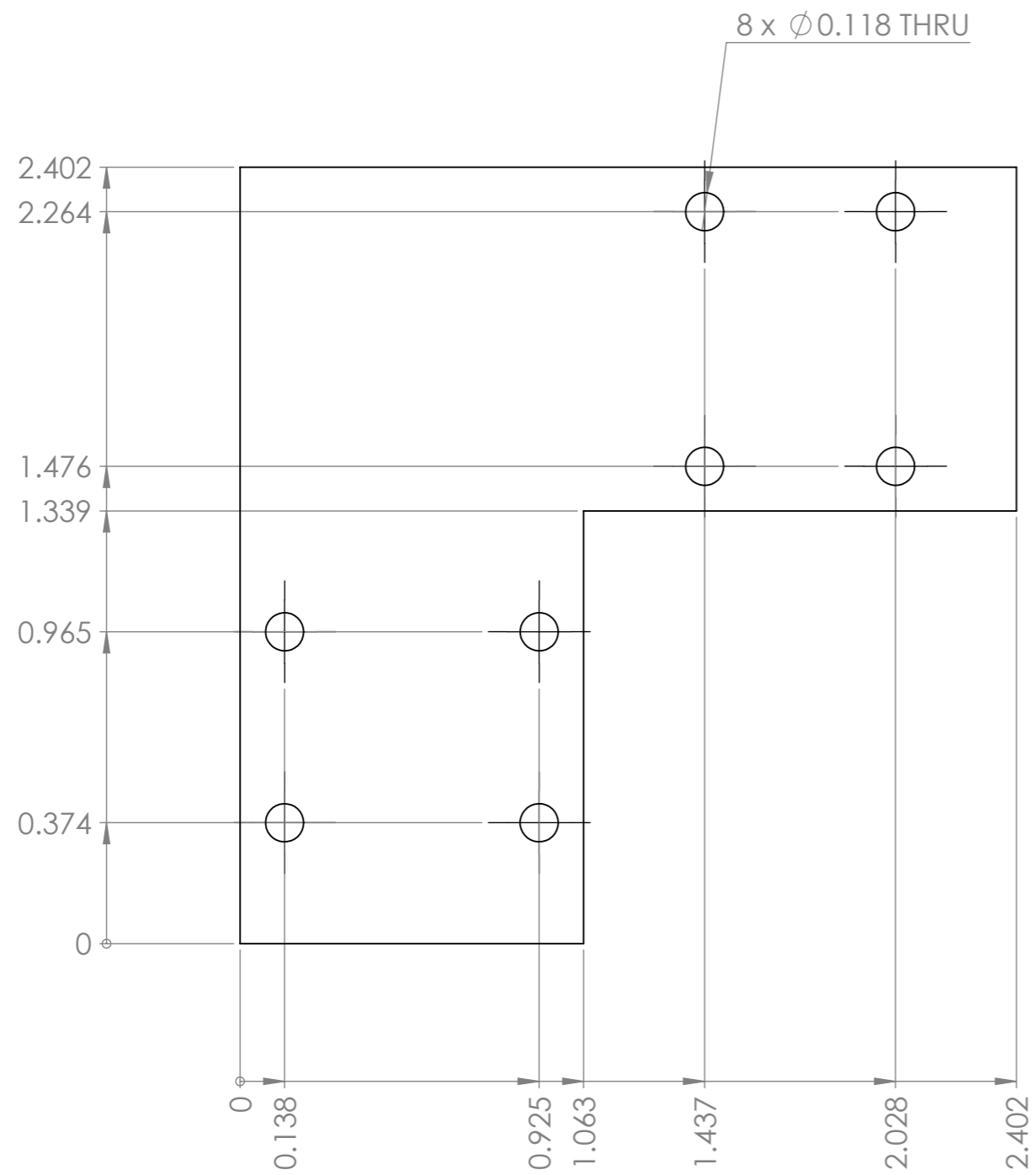
UNLESS OTHERWISE SPECIFIED: DIMENSIONS ARE IN MILLIMETERS SURFACE FINISH: TOLERANCES: LINEAR: ANGULAR:				FINISH:		DEBUR AND BREAK SHARP EDGES		DO NOT SCALE DRAWING		REVISION	
DRAWN				NAME		SIGNATURE		DATE		TITLE: Manipulator Assembly	
CHK'D											
APPV'D											
MFG											
Q.A								MATERIAL:		DWG NO.	
										A3	
								WEIGHT:		SCALE:1:2	
										SHEET 1 OF 1	



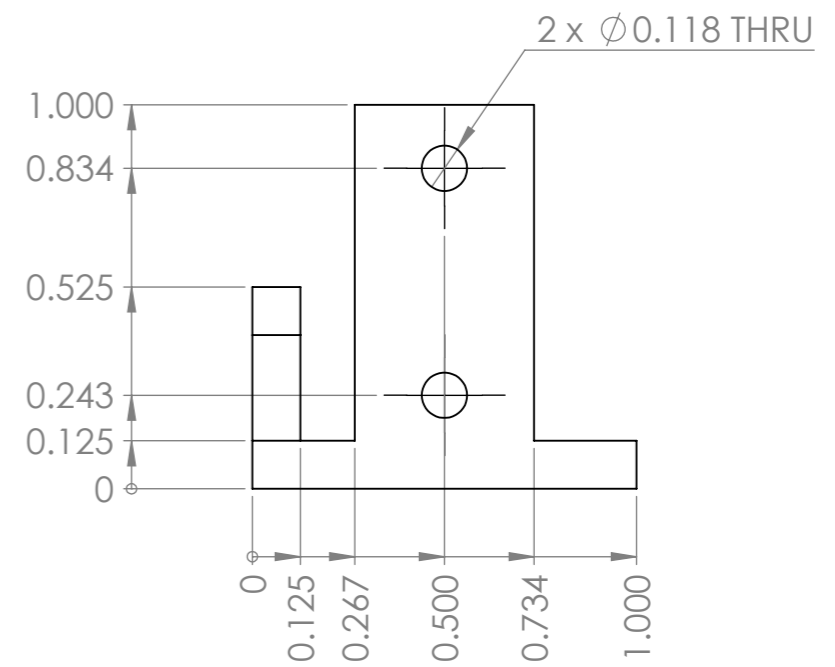
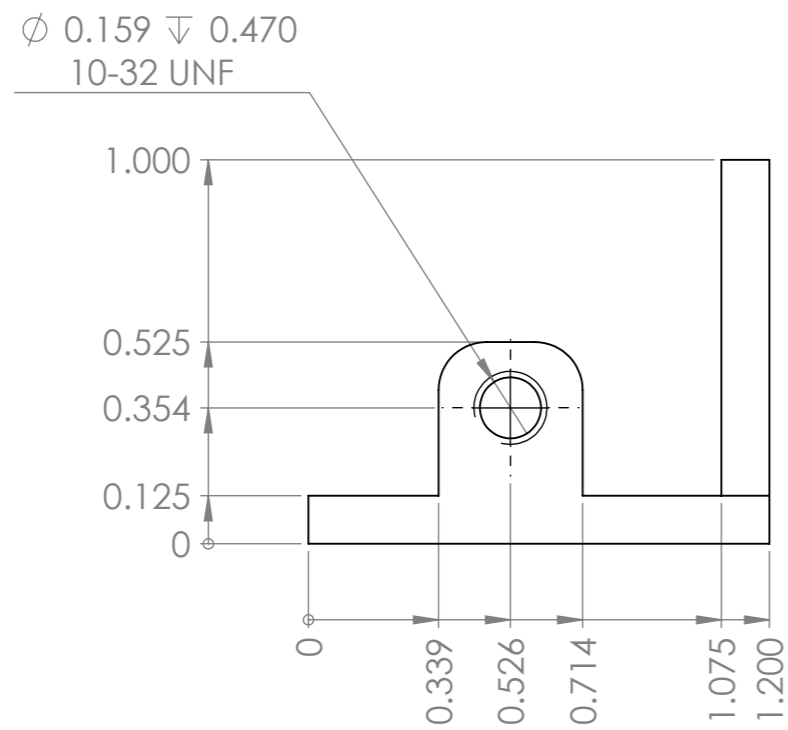
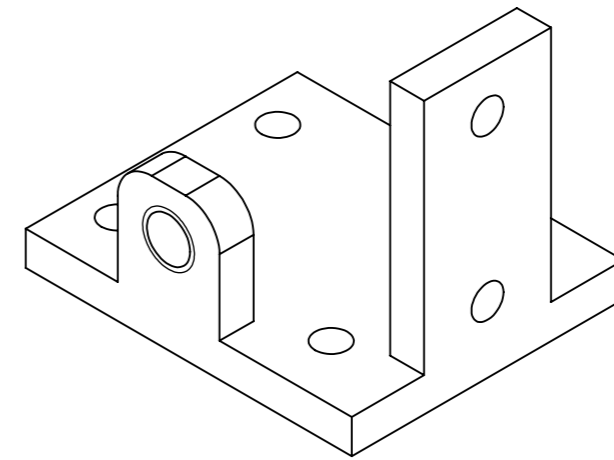
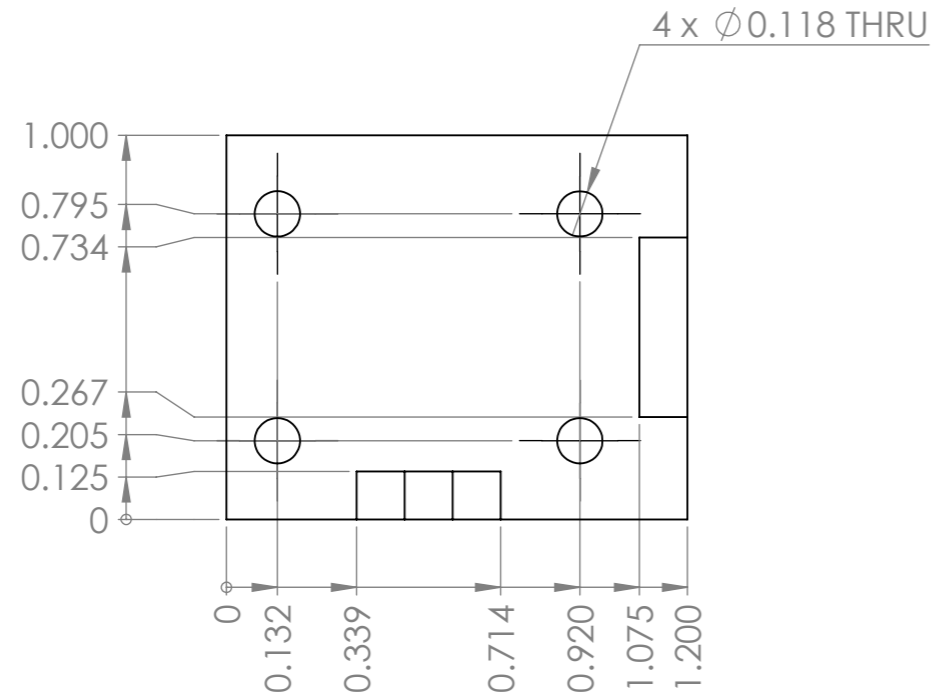
UNLESS OTHERWISE SPECIFIED: DIMENSIONS ARE IN MILLIMETERS SURFACE FINISH: TOLERANCES: LINEAR: ANGULAR:				FINISH:		DEBUR AND BREAK SHARP EDGES		DO NOT SCALE DRAWING		REVISION	
DRAWN				NAME		SIGNATURE		DATE		TITLE: PISTON CYLINDER MOUNT	
CHK'D											
APPV'D											
MFG											
Q.A								MATERIAL:		DWG NO.	
										A3	
								WEIGHT:		SCALE:2:1	
										SHEET 1 OF 1	



UNLESS OTHERWISE SPECIFIED: DIMENSIONS ARE IN MILLIMETERS SURFACE FINISH: TOLERANCES: LINEAR: ANGULAR:				FINISH:		DEBUR AND BREAK SHARP EDGES		DO NOT SCALE DRAWING		REVISION	
DRAWN				NAME		SIGNATURE		DATE		TITLE:	
CHK'D										Thread receiver	
APPV'D											
MFG										DWG NO.	
Q.A								MATERIAL:		A3	
								WEIGHT:		SCALE:5:1	
										SHEET 1 OF 1	



UNLESS OTHERWISE SPECIFIED: DIMENSIONS ARE IN MILLIMETERS SURFACE FINISH: TOLERANCES: LINEAR: ANGULAR:				FINISH:		DEBUR AND BREAK SHARP EDGES		DO NOT SCALE DRAWING		REVISION	
DRAWN				NAME		SIGNATURE		DATE		TITLE:	
CHK'D										xybracket	
APPV'D											
MFG										DWG NO.	
Q.A								MATERIAL:		A3	
								WEIGHT:		SCALE:2:1	
										SHEET 1 OF 1	



UNLESS OTHERWISE SPECIFIED: DIMENSIONS ARE IN MILLIMETERS SURFACE FINISH: TOLERANCES: LINEAR: ANGULAR:				FINISH:		DEBUR AND BREAK SHARP EDGES		DO NOT SCALE DRAWING		REVISION	
DRAWN				NAME		SIGNATURE		DATE		TITLE:	
CHK'D										yzbracket	
APPV'D											
MFG										DWG NO.	
Q.A								MATERIAL:		A3	
								WEIGHT:		SCALE:2:1	
										SHEET 1 OF 1	