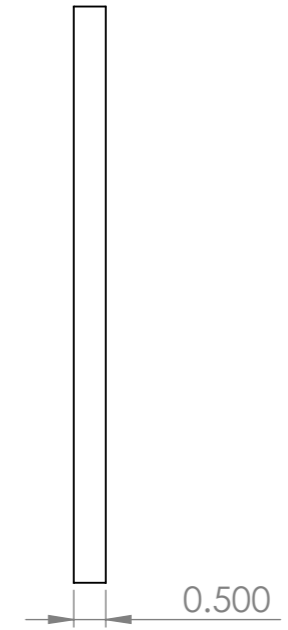
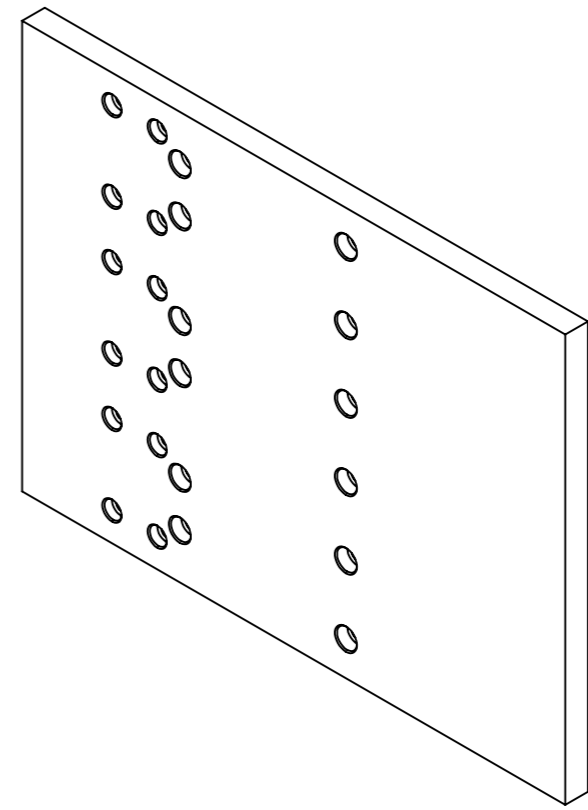
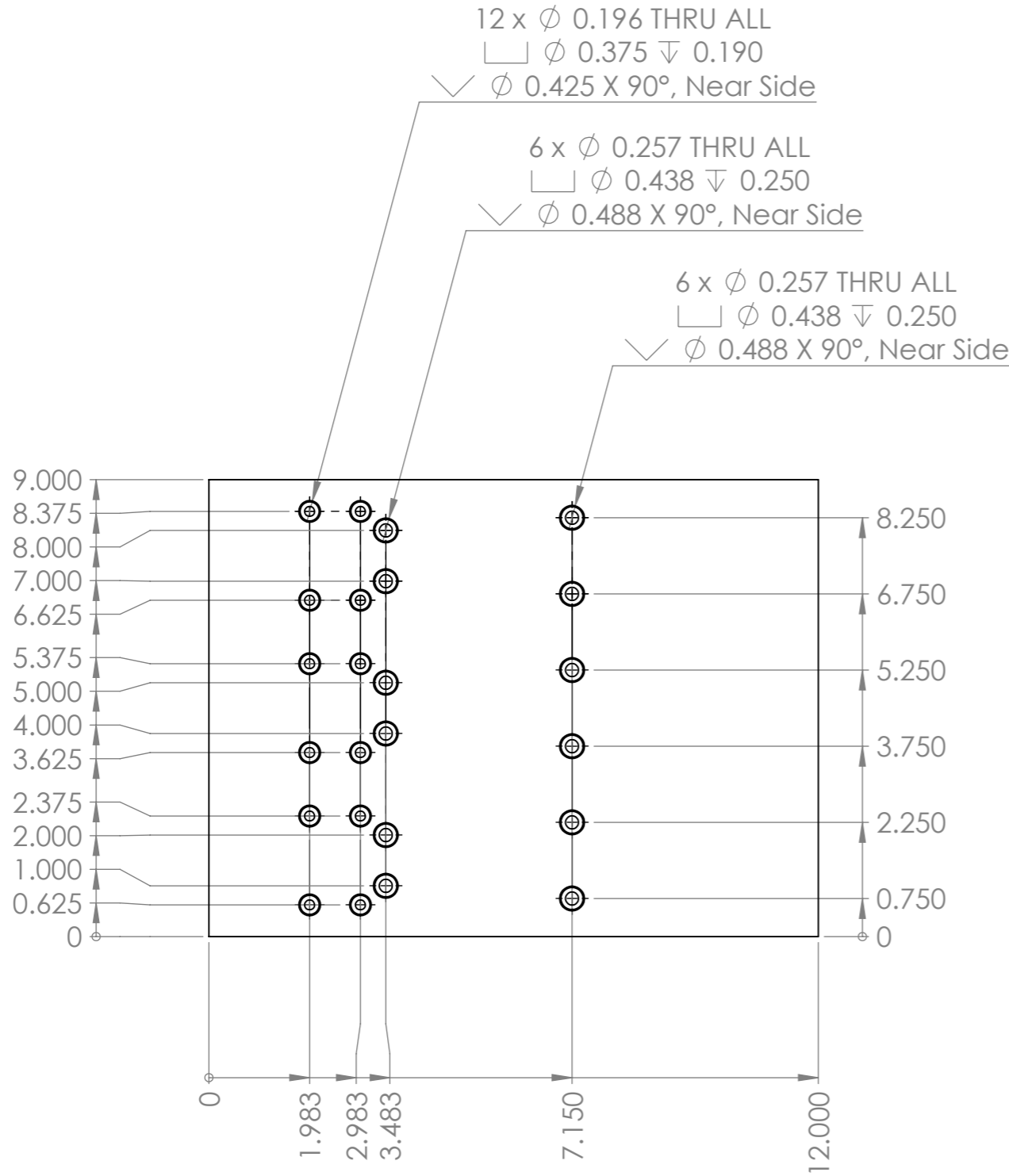
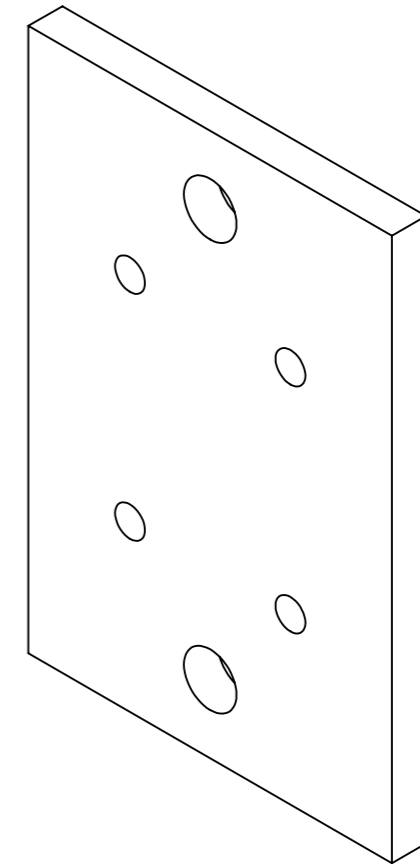
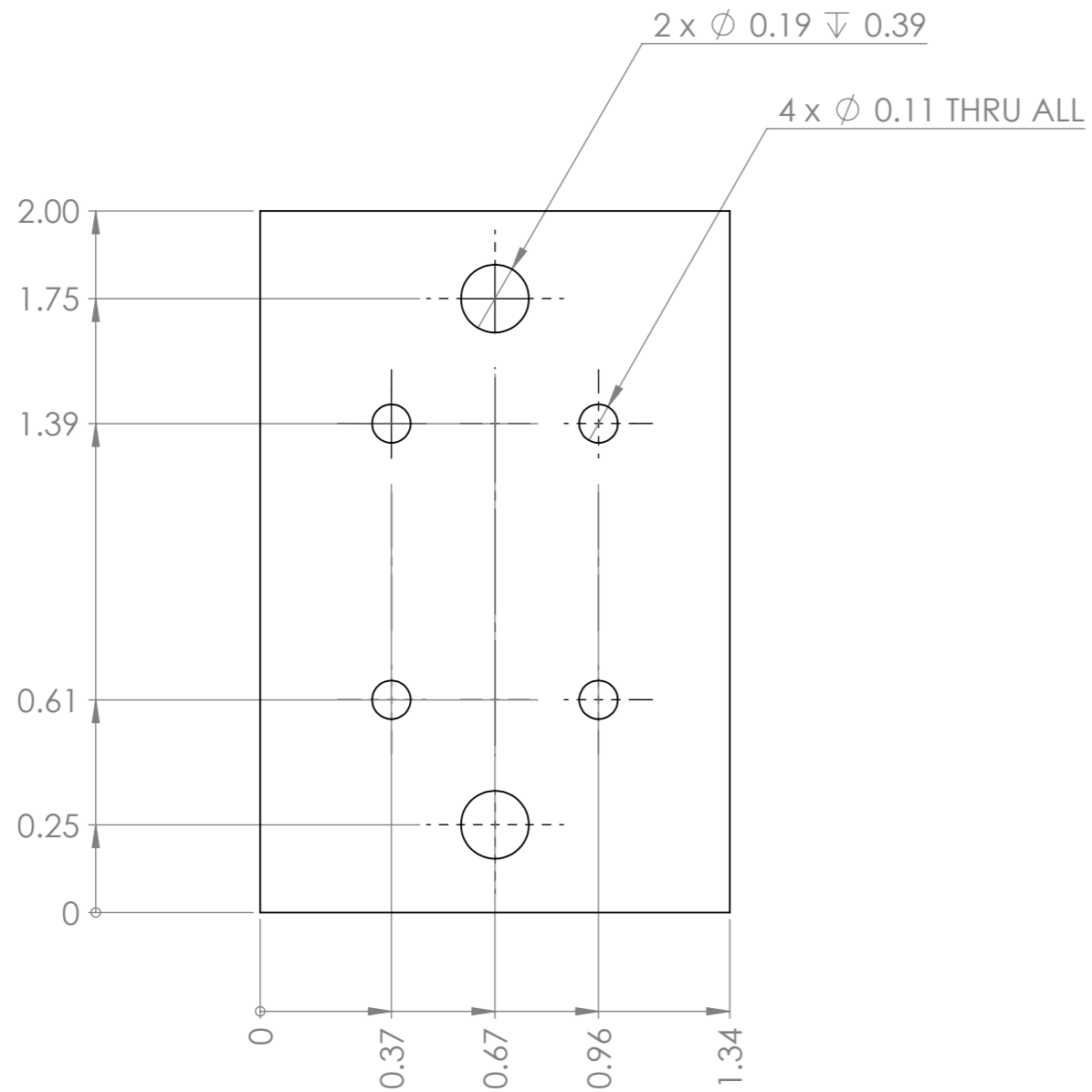
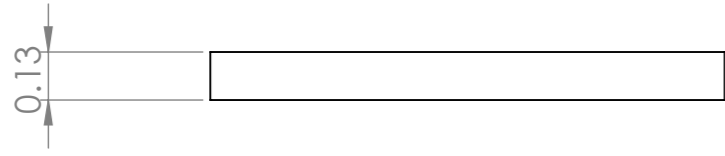


| ITEM NO. | PART NUMBER | DESCRIPTION | QTY. |
|----------|-------------|---|------|
| 1 | | Base Plate | 1 |
| 2 | | Motor-Side Lead Screw Mounting Block - Copy | 3 |
| 3 | | Motor L-Bracket | 3 |
| 4 | | Piston-Side Lead Screw Mounting Block | 3 |
| 5 | | Lead Screw | 3 |
| 6 | | Lead Screw Nut | 3 |
| 7 | | Track Mount Lead Screw Side | 3 |
| 8 | | Pump Track | 3 |
| 9 | | 9829K3 Carriage | 3 |
| 10 | | Carriage Mount | 3 |
| 11 | | 92855A307 | 3 |
| 12 | | Pump Track Bracket | 3 |
| 13 | | Track Mount Pump Side | 3 |

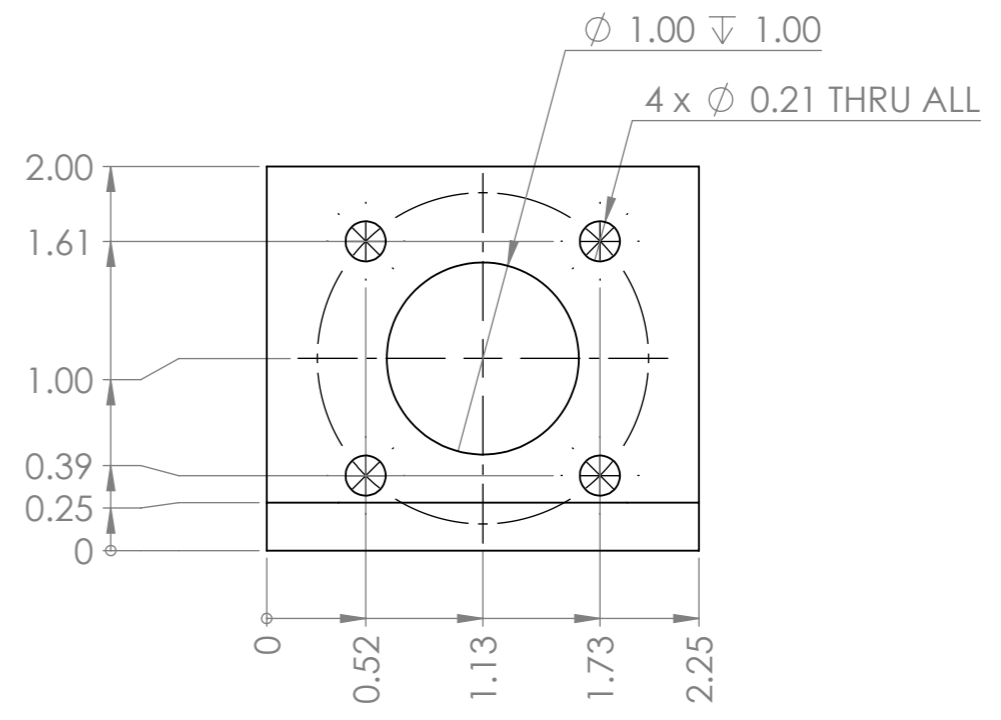
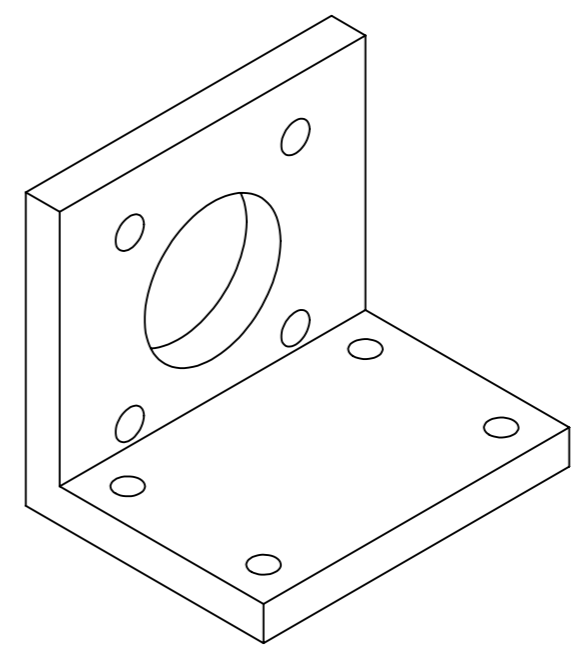
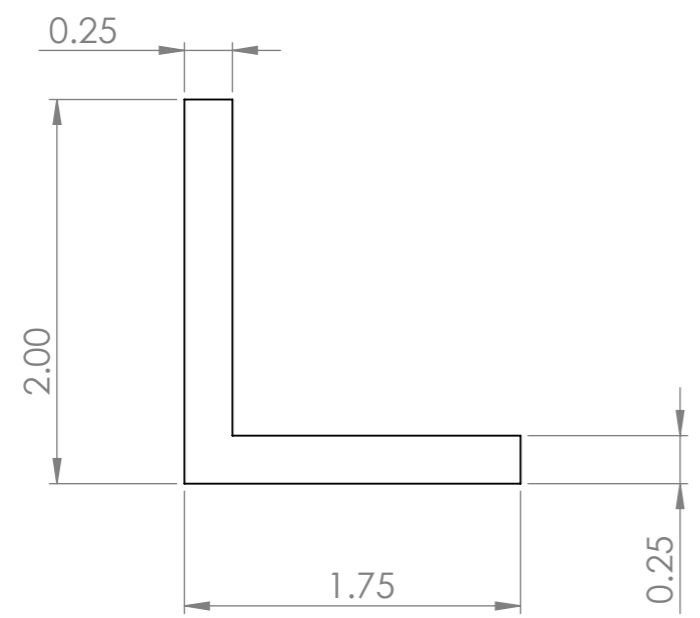
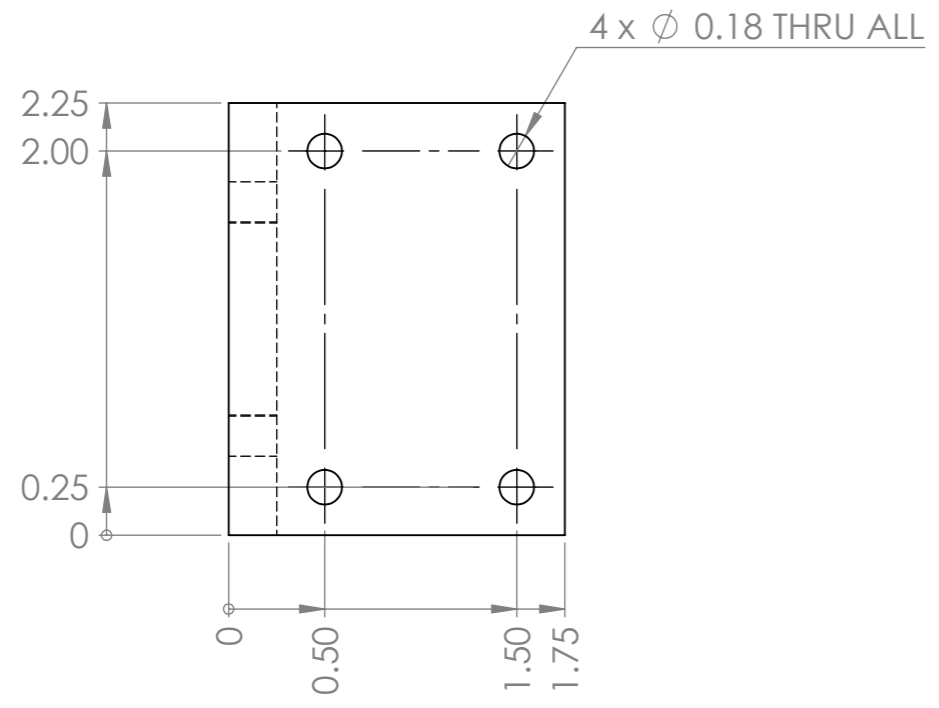
| | | | | | | | | | | | |
|---|--|--|--|---------|--|-----------------------------------|--|----------------------|--|--------------|--|
| UNLESS OTHERWISE SPECIFIED: DIMENSIONS ARE IN MILLIMETERS SURFACE FINISH: TOLERANCES: LINEAR: ANGULAR: | | | | FINISH: | | DEBUR AND BREAK SHARP EDGES | | DO NOT SCALE DRAWING | | REVISION | |
| DRAWN | | | | NAME | | SIGNATURE | | DATE | | TITLE: | |
| CHK'D | | | | | | | | | | Assem1 | |
| APPV'D | | | | | | | | | | | |
| MFG | | | | | | | | | | DWG NO. | |
| Q.A | | | | | | | | | | A3 | |
| | | | | | | | | MATERIAL: | | SCALE:1:5 | |
| | | | | | | | | WEIGHT: | | SHEET 1 OF 1 | |



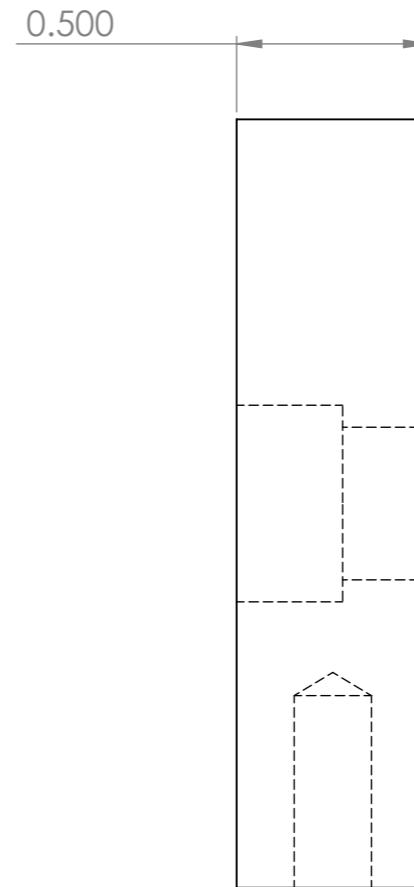
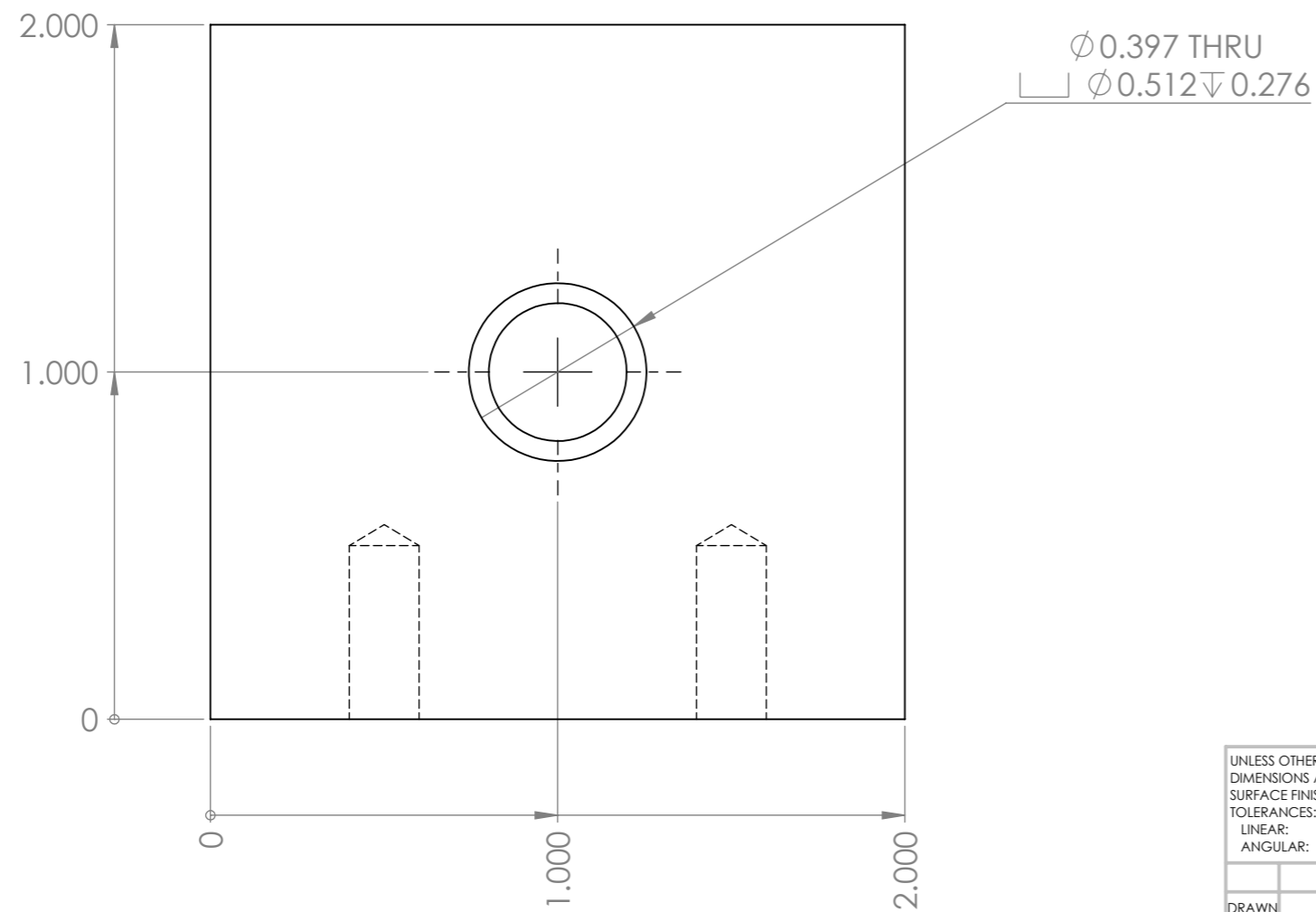
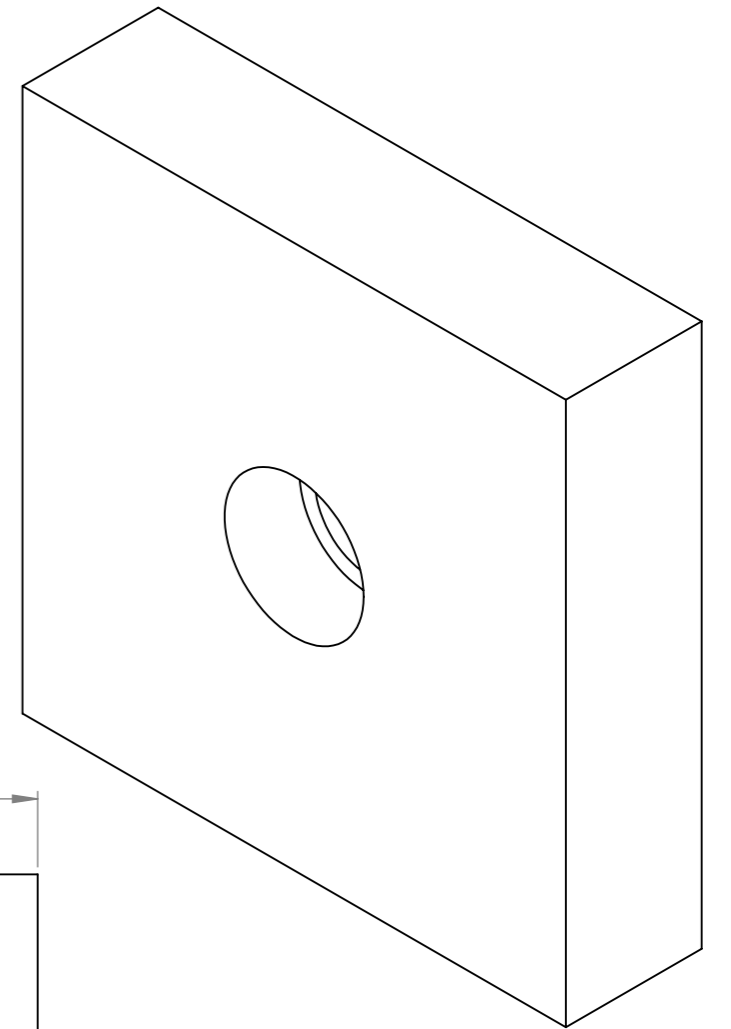
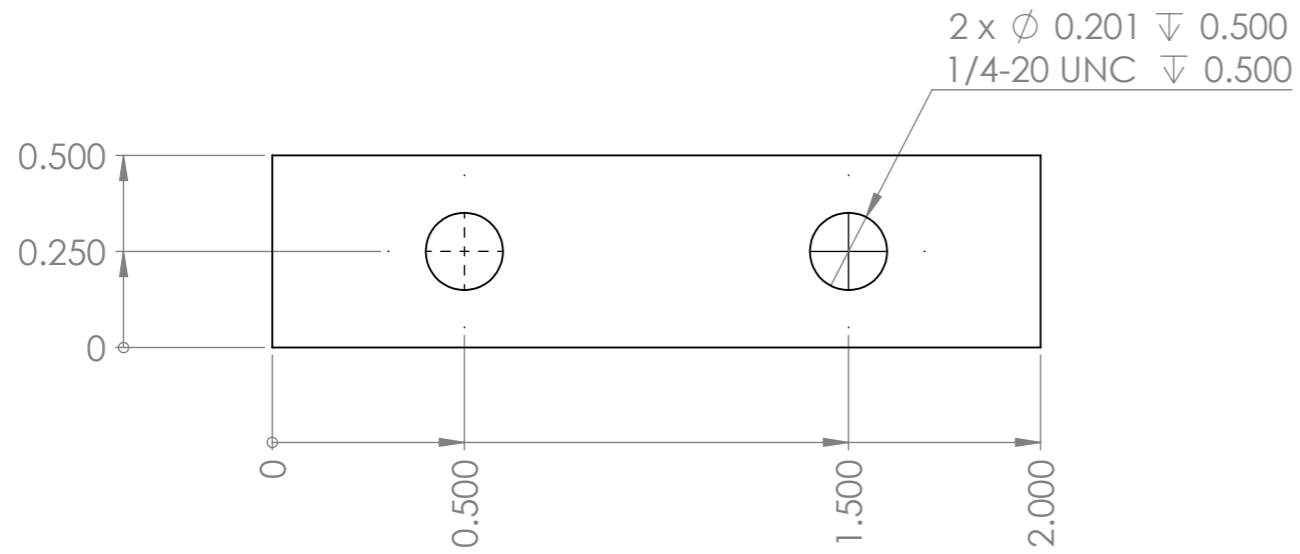
| | | | | | | | | | | | |
|---|--|--|--|---------|--|-----------------------------------|--|----------------------|--|--------------|--|
| UNLESS OTHERWISE SPECIFIED: DIMENSIONS ARE IN MILLIMETERS SURFACE FINISH: TOLERANCES: LINEAR: ANGULAR: | | | | FINISH: | | DEBUR AND BREAK SHARP EDGES | | DO NOT SCALE DRAWING | | REVISION | |
| DRAWN | | | | NAME | | SIGNATURE | | DATE | | TITLE: | |
| CHK'D | | | | | | | | | | Base Plate | |
| APPV'D | | | | | | | | | | | |
| MFG | | | | | | | | | | DWG NO. | |
| Q.A | | | | | | | | MATERIAL: | | A3 | |
| | | | | | | | | WEIGHT: | | SCALE:1:5 | |
| | | | | | | | | | | SHEET 1 OF 1 | |



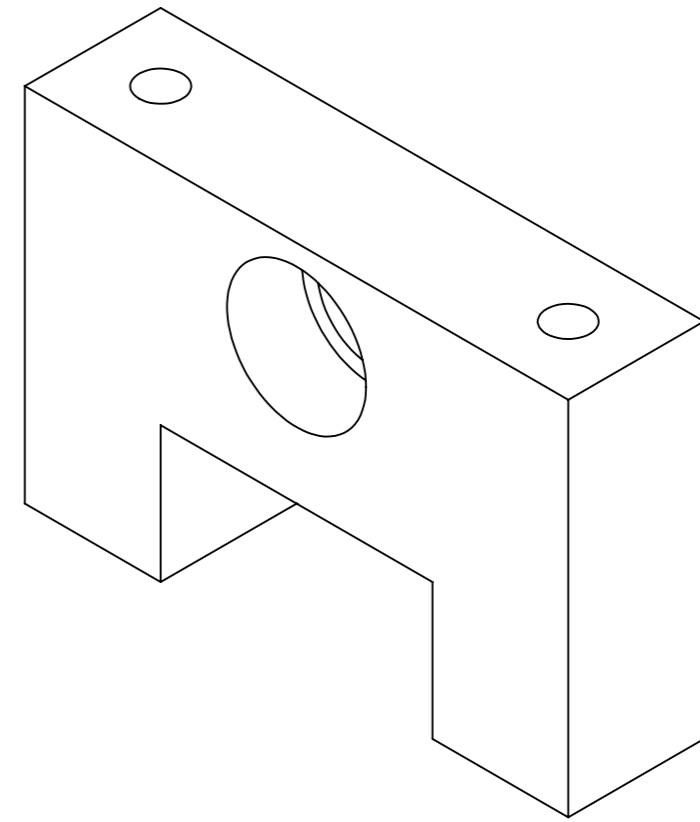
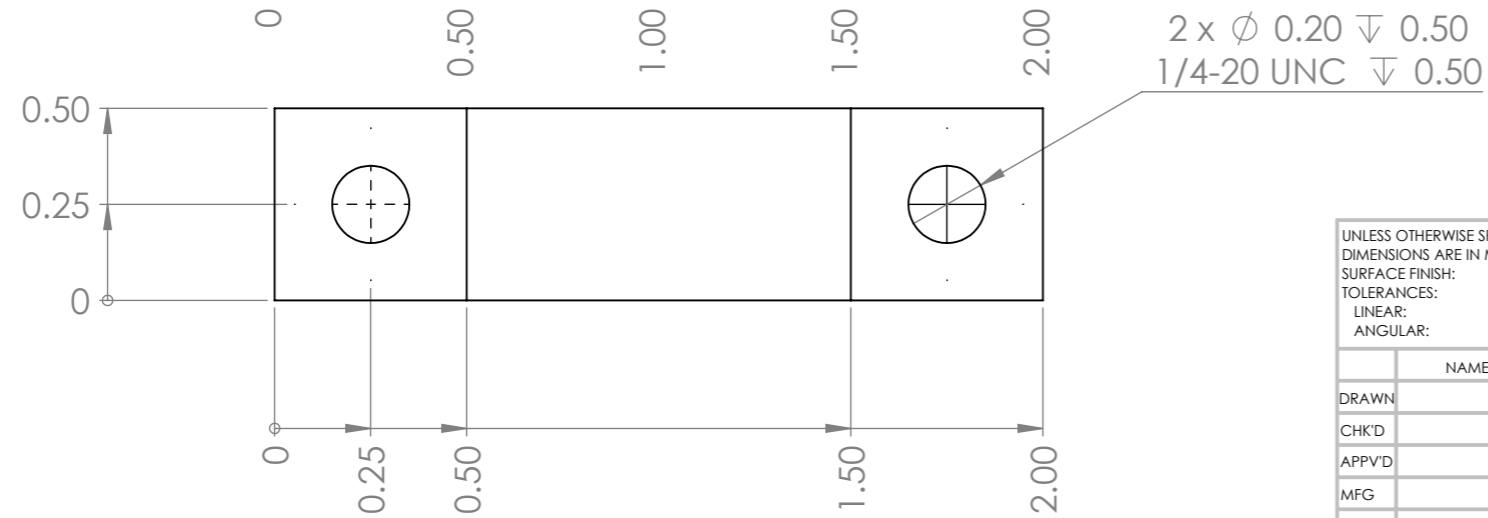
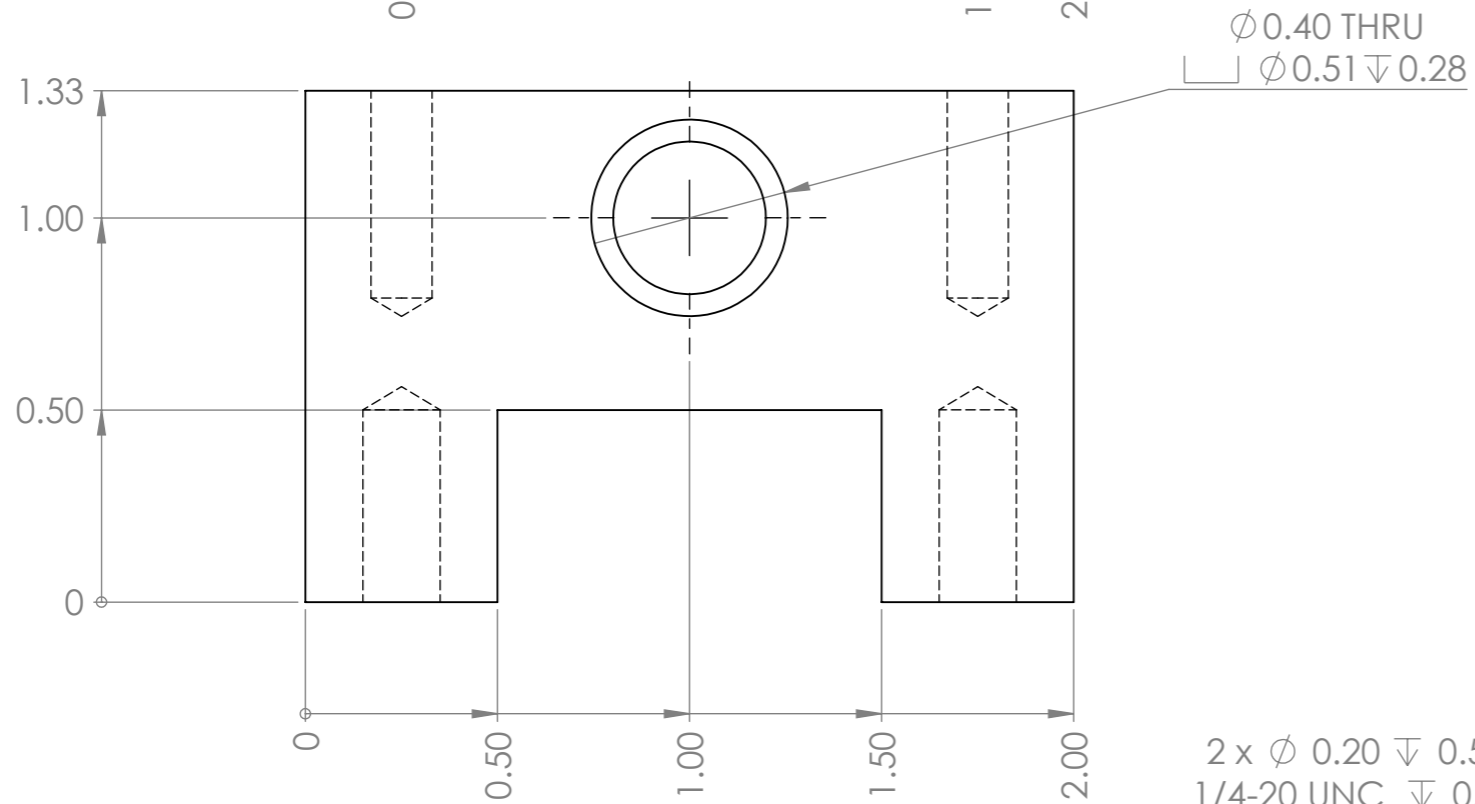
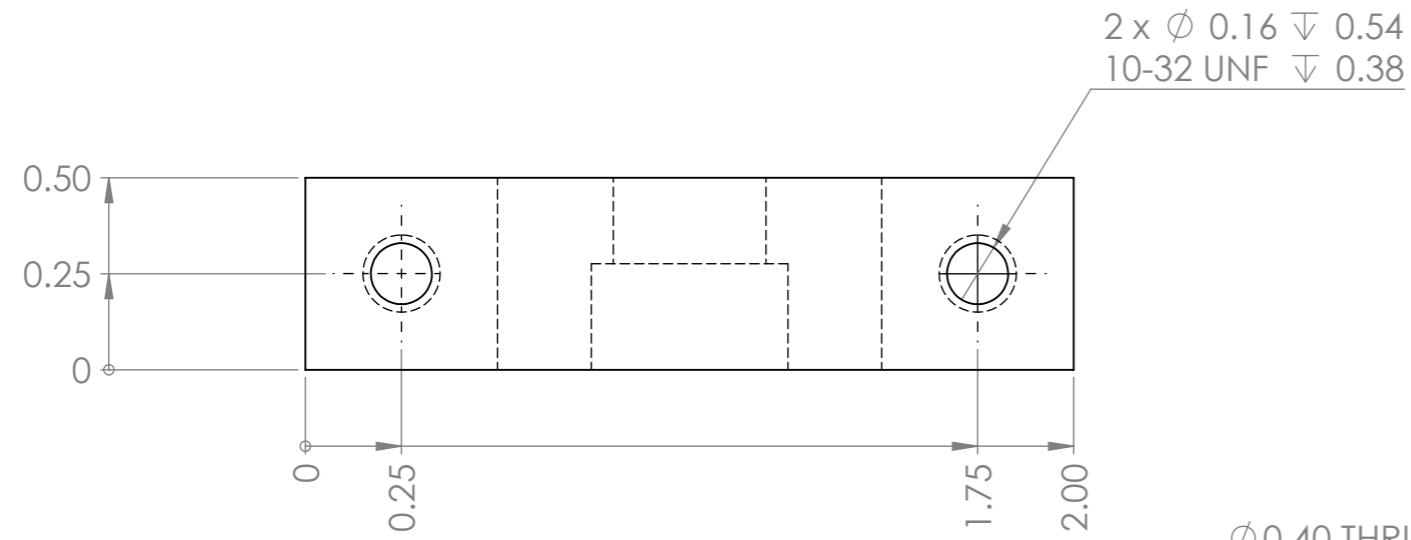
| | | | | | | | | | | | |
|---|--|--|--|---------|--|-----------------------------------|--|----------------------|--|----------------|--|
| UNLESS OTHERWISE SPECIFIED: DIMENSIONS ARE IN MILLIMETERS SURFACE FINISH: TOLERANCES: LINEAR: ANGULAR: | | | | FINISH: | | DEBUR AND BREAK SHARP EDGES | | DO NOT SCALE DRAWING | | REVISION | |
| DRAWN | | | | NAME | | SIGNATURE | | DATE | | TITLE: | |
| CHK'D | | | | | | | | | | Carriage Mount | |
| APPV'D | | | | | | | | | | | |
| MFG | | | | | | | | | | DWG NO. | |
| Q.A | | | | | | | | MATERIAL: | | A3 | |
| | | | | | | | | WEIGHT: | | SCALE:2:1 | |
| | | | | | | | | | | SHEET 1 OF 1 | |



| | | | | | | | | | | | |
|---|--|--|--|---------|--|-----------------------------------|--|----------------------|--|-----------------|--|
| UNLESS OTHERWISE SPECIFIED: DIMENSIONS ARE IN MILLIMETERS SURFACE FINISH: TOLERANCES: LINEAR: ANGULAR: | | | | FINISH: | | DEBUR AND BREAK SHARP EDGES | | DO NOT SCALE DRAWING | | REVISION | |
| DRAWN | | | | NAME | | SIGNATURE | | DATE | | TITLE: | |
| CHK'D | | | | | | | | | | Motor L-Bracket | |
| APPV'D | | | | | | | | | | | |
| MFG | | | | | | | | | | DWG NO. | |
| Q.A | | | | | | | | | | A3 | |
| | | | | | | | | MATERIAL: | | SCALE:1:1 | |
| | | | | | | | | WEIGHT: | | SHEET 1 OF 1 | |

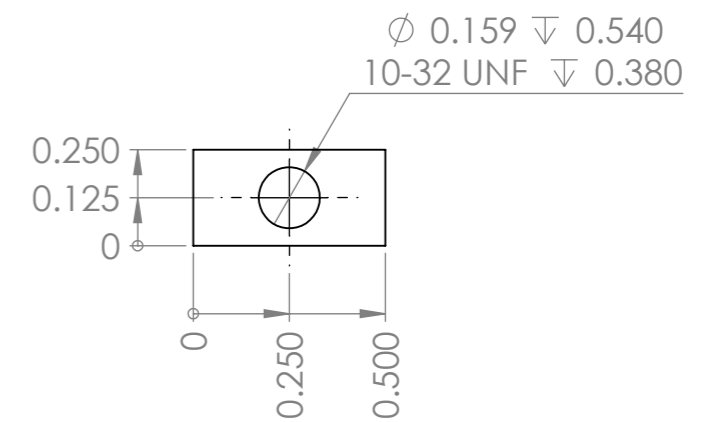
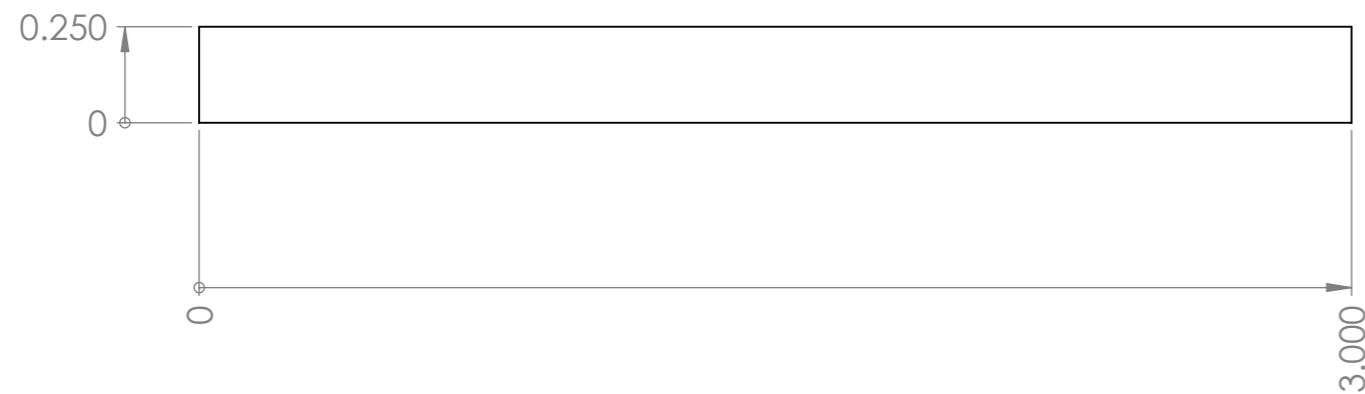
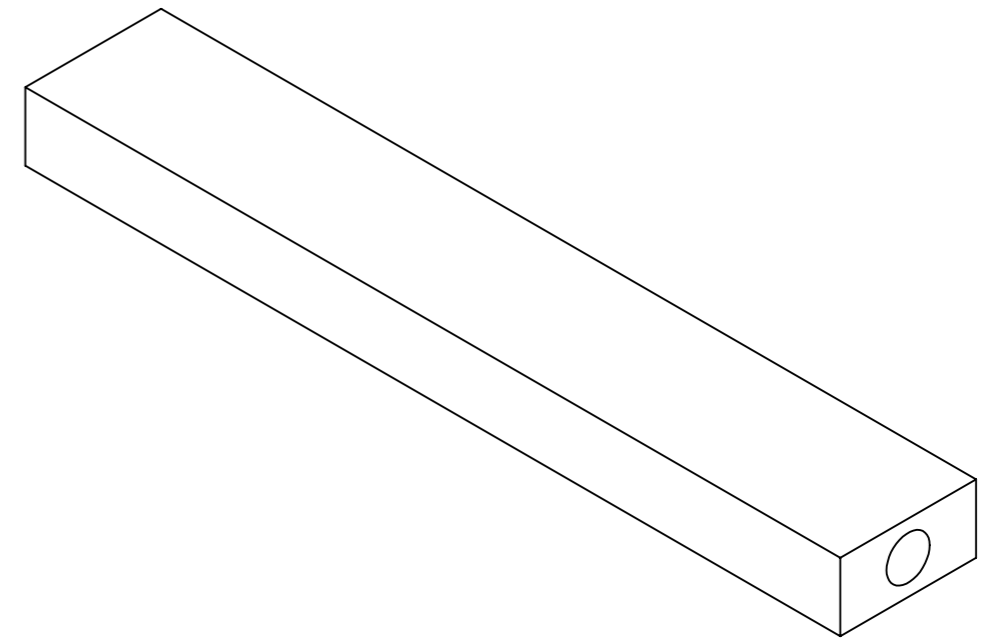
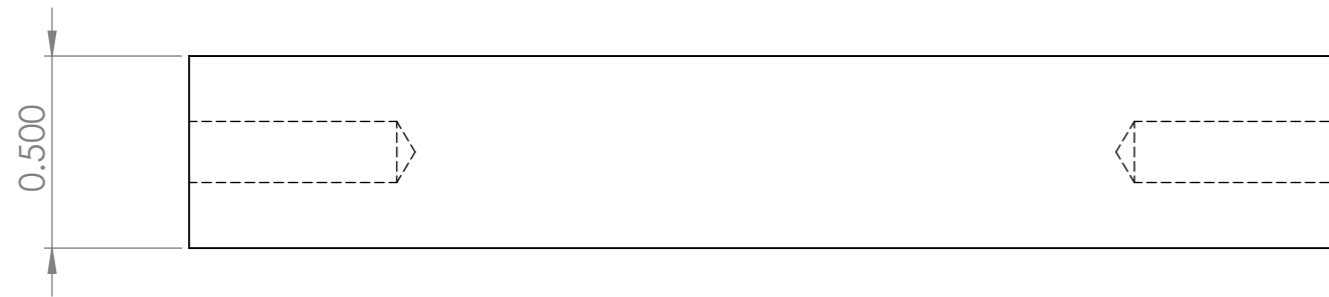


| | | | | | | | | | | | |
|---|--|--|--|---------|--|-----------------------------------|--|----------------------|--|---|--|
| UNLESS OTHERWISE SPECIFIED: DIMENSIONS ARE IN MILLIMETERS SURFACE FINISH: TOLERANCES: LINEAR: ANGULAR: | | | | FINISH: | | DEBUR AND BREAK SHARP EDGES | | DO NOT SCALE DRAWING | | REVISION | |
| DRAWN | | | | NAME | | SIGNATURE | | DATE | | TITLE: Motor-Side Lead Screw Mounting Block - Copy | |
| CHK'D | | | | | | | | | | | |
| APPV'D | | | | | | | | | | | |
| MFG | | | | | | | | | | | |
| Q.A | | | | | | | | MATERIAL: | | DWG NO. | |
| | | | | | | | | | | A3 | |
| | | | | | | | | WEIGHT: | | SCALE:2:1 | |
| | | | | | | | | | | SHEET 1 OF 1 | |

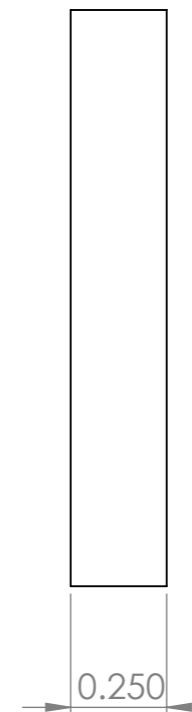
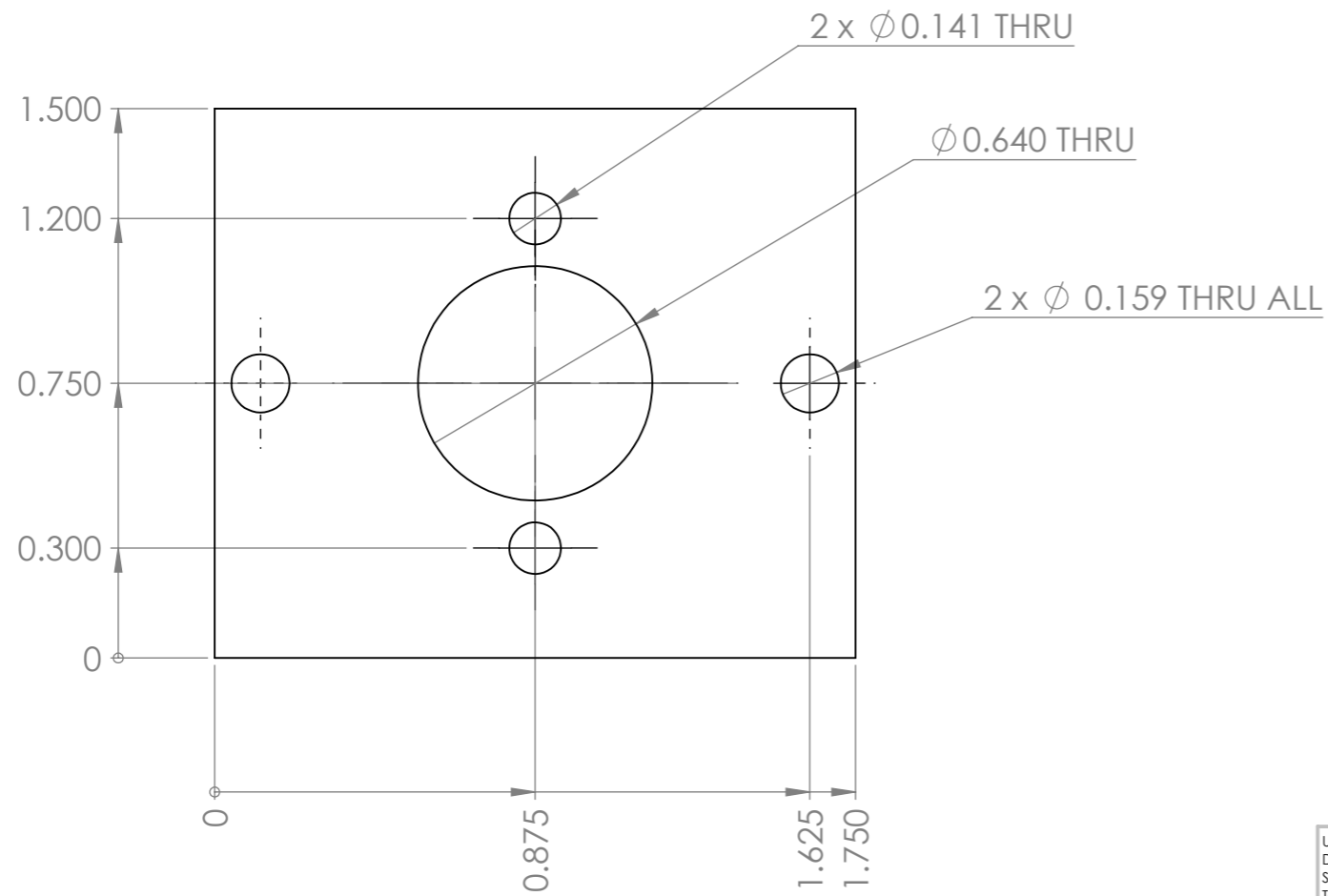
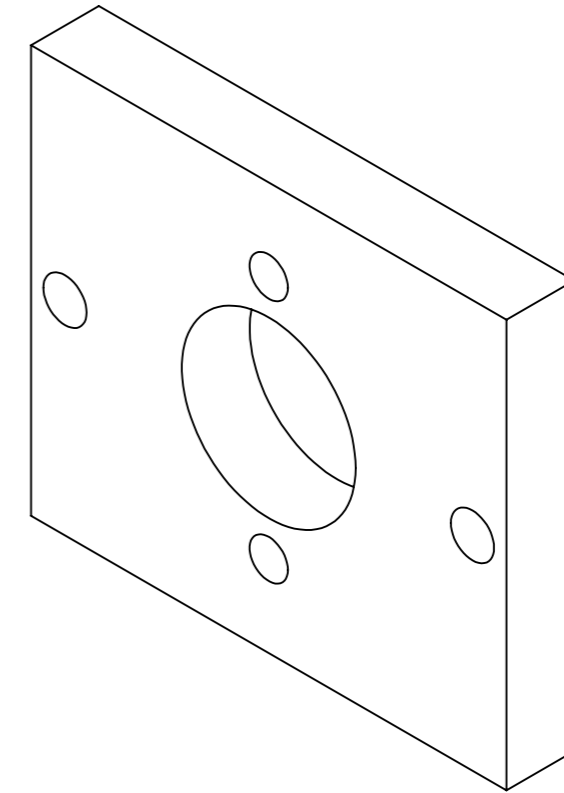


| | | | | | | | | | | | |
|---|--|--|--|---------|--|-----------------------------------|--|----------------------|--|---------------------------------|--|
| UNLESS OTHERWISE SPECIFIED: DIMENSIONS ARE IN MILLIMETERS SURFACE FINISH: TOLERANCES: LINEAR: ANGULAR: | | | | FINISH: | | DEBUR AND BREAK SHARP EDGES | | DO NOT SCALE DRAWING | | REVISION | |
| DRAWN | | | | NAME | | SIGNATURE | | DATE | | TITLE: | |
| CHK'D | | | | | | | | | | | |
| APPV'D | | | | | | | | | | | |
| MFG | | | | | | | | | | | |
| Q.A | | | | | | | | MATERIAL: | | DWG NO. | |
| | | | | | | | | | | Piston-Side Lead Screw Mounting | |
| | | | | | | | | WEIGHT: | | SCALE:2:1 | |
| | | | | | | | | | | SHEET 1 OF 1 | |

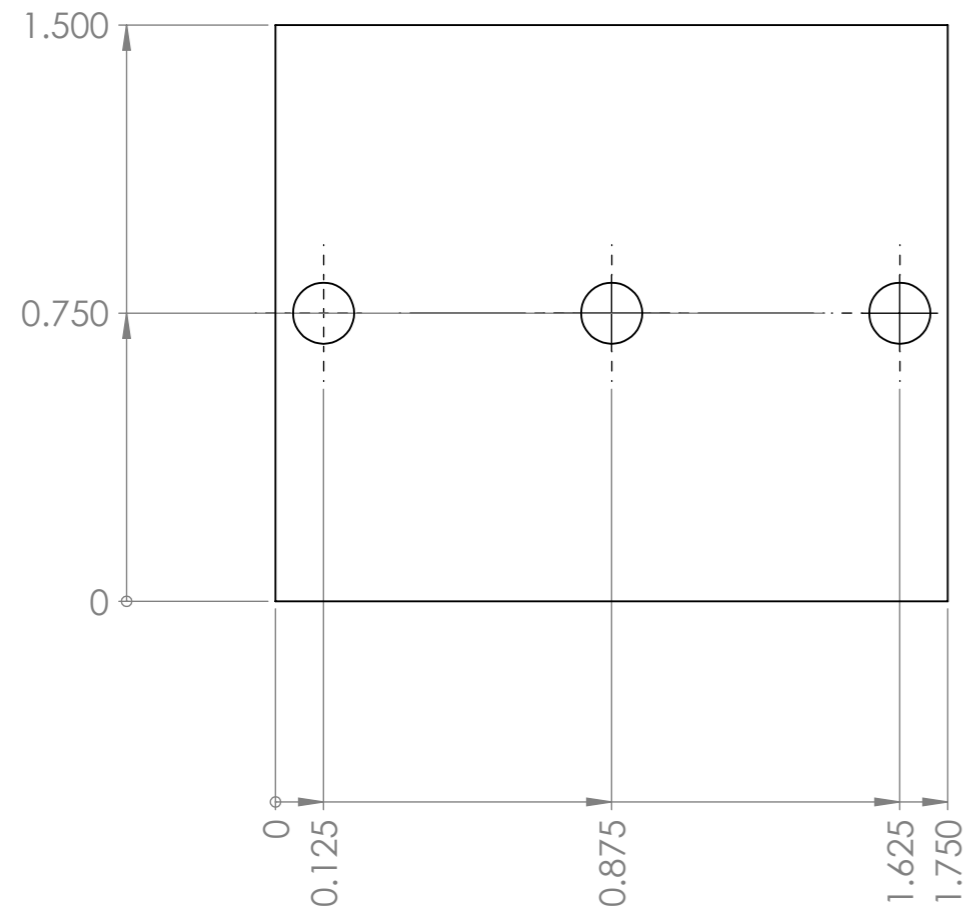
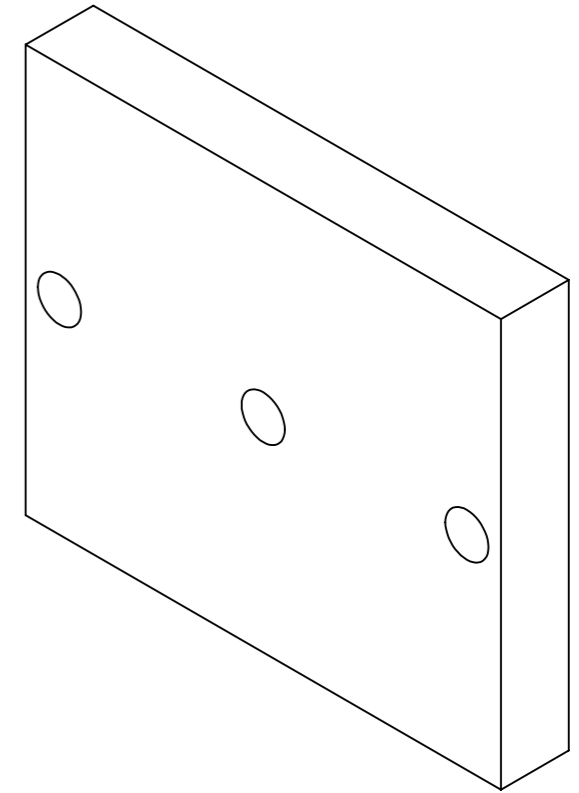
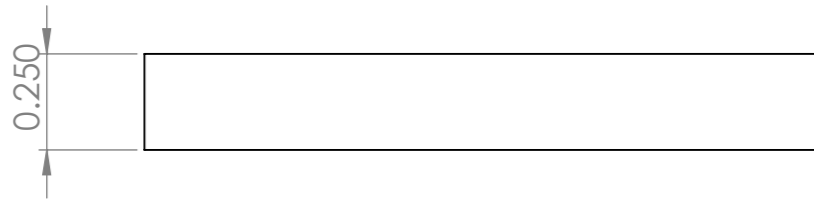
Piston-Side Lead Screw Mounting



| | | | | | | | | | | | |
|---|--|--|--|---------|--|-----------------------------------|--|----------------------|--|--------------------|--|
| UNLESS OTHERWISE SPECIFIED: DIMENSIONS ARE IN MILLIMETERS SURFACE FINISH: TOLERANCES: LINEAR: ANGULAR: | | | | FINISH: | | DEBUR AND BREAK SHARP EDGES | | DO NOT SCALE DRAWING | | REVISION | |
| DRAWN | | | | NAME | | SIGNATURE | | DATE | | TITLE: | |
| CHK'D | | | | | | | | | | Pump Track Bracket | |
| APPV'D | | | | | | | | | | | |
| MFG | | | | | | | | | | DWG NO. | |
| Q.A | | | | | | | | MATERIAL: | | A3 | |
| | | | | | | | | WEIGHT: | | SCALE:1:1 | |
| | | | | | | | | | | SHEET 1 OF 1 | |



| | | | | | | | | | | | |
|---|--|--|--|---------|--|-----------------------------------|--|----------------------|--|-----------------------------|--|
| UNLESS OTHERWISE SPECIFIED: DIMENSIONS ARE IN MILLIMETERS SURFACE FINISH: TOLERANCES: LINEAR: ANGULAR: | | | | FINISH: | | DEBUR AND BREAK SHARP EDGES | | DO NOT SCALE DRAWING | | REVISION | |
| DRAWN | | | | NAME | | SIGNATURE | | DATE | | TITLE: | |
| CHK'D | | | | | | | | | | Track Mount Lead Screw Side | |
| APPV'D | | | | | | | | | | DWG NO. | |
| MFG | | | | | | | | | | A3 | |
| Q.A | | | | | | | | MATERIAL: | | SCALE:2:1 | |
| | | | | | | | | WEIGHT: | | SHEET 1 OF 1 | |



| | | | | | | | | | | | |
|---|--|--|--|---------|--|-----------------------------------|--|--|--|--------------|--|
| UNLESS OTHERWISE SPECIFIED: DIMENSIONS ARE IN MILLIMETERS SURFACE FINISH: TOLERANCES: LINEAR: ANGULAR: | | | | FINISH: | | DEBUR AND BREAK SHARP EDGES | | DO NOT SCALE DRAWING | | REVISION | |
| | | | | | | | | TITLE: Track Mount Pump Side | | | |
| DRAWN | | | | NAME | | SIGNATURE | | DATE | | DWG NO. | |
| CHK'D | | | | | | | | | | A3 | |
| APPV'D | | | | | | | | | | | |
| MFG | | | | | | | | | | | |
| Q.A | | | | | | | | MATERIAL: | | | |
| | | | | | | | | WEIGHT: | | SCALE:2:1 | |
| | | | | | | | | | | SHEET 1 OF 1 | |