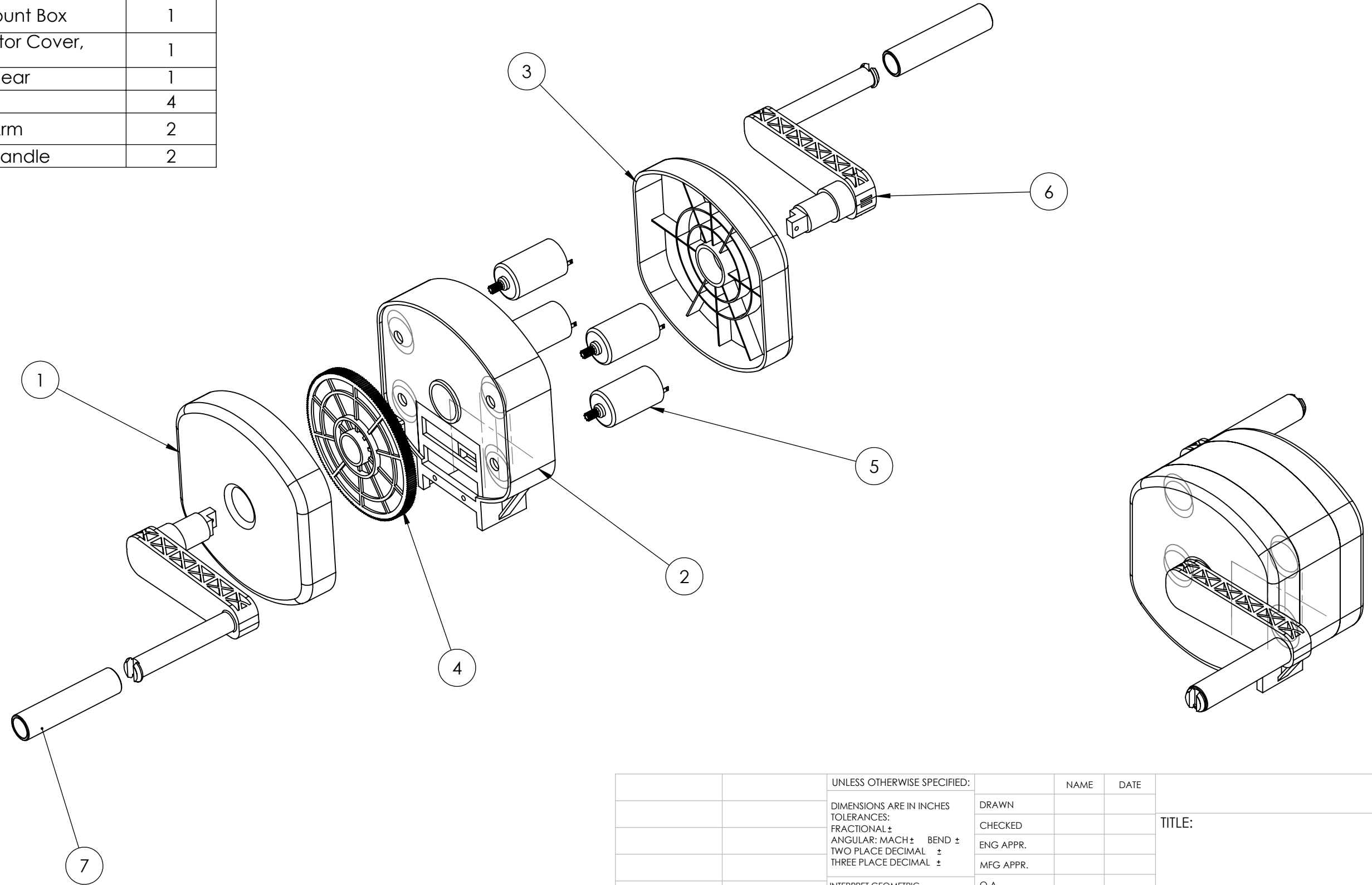


ITEM NO.	PART NAME	QTY.
1	Generator Cover, REAR	1
2	Motor Mount Box	1
3	Generator Cover, FRNT	1
4	Large Gear	1
5	Motor	4
6	Crank Arm	2
7	Crank Handle	2

**PROPRIETARY AND CONFIDENTIAL**  
 THE INFORMATION CONTAINED IN THIS DRAWING IS THE SOLE PROPERTY OF <INSERT COMPANY NAME HERE>. ANY REPRODUCTION IN PART OR AS A WHOLE WITHOUT THE WRITTEN PERMISSION OF <INSERT COMPANY NAME HERE> IS PROHIBITED.

		UNLESS OTHERWISE SPECIFIED:		NAME	DATE
		DIMENSIONS ARE IN INCHES		DRAWN	NJH 11/7/12
		TOLERANCES:		CHECKED	NJH 11/7/12
		FRACTIONAL ±		ENG APPR.	
		ANGULAR: MACH ± BEND ±		MFG APPR.	
		TWO PLACE DECIMAL ±		Q.A.	
		THREE PLACE DECIMAL ±		COMMENTS:	
		INTERPRET GEOMETRIC TOLERANCING PER:			
		MATERIAL			
		FINISH			
NEXT ASSY	USED ON				
APPLICATION		DO NOT SCALE DRAWING			
TITLE:			GENERATOR HOUSING ASSEMBLY		
SIZE	DWG. NO.	REV			
<b>B</b>	ASSEMBLY				
SCALE: 1:12			WEIGHT:		SHEET 1 OF 1

ITEM NO.	PART NAME	QTY.
1	Generator Cover, REAR	1
2	Mtor Mount Box	1
3	Generator Cover, FRNT	1
4	Large Gear	1
5	Motor	4
6	Crank Arm	2
7	Crank Handle	2



**PROPRIETARY AND CONFIDENTIAL**  
 THE INFORMATION CONTAINED IN THIS DRAWING IS THE SOLE PROPERTY OF <INSERT COMPANY NAME HERE>. ANY REPRODUCTION IN PART OR AS A WHOLE WITHOUT THE WRITTEN PERMISSION OF <INSERT COMPANY NAME HERE> IS PROHIBITED.

		UNLESS OTHERWISE SPECIFIED:		NAME	DATE
		DIMENSIONS ARE IN INCHES		DRAWN	
		TOLERANCES:		CHECKED	
		FRACTIONAL ±		ENG APPR.	
		ANGULAR: MACH ± BEND ±		MFG APPR.	
		TWO PLACE DECIMAL ±		Q.A.	
		THREE PLACE DECIMAL ±		COMMENTS:	
		INTERPRET GEOMETRIC TOLERANCING PER:			
		MATERIAL			
		FINISH			
NEXT ASSY	USED ON				
APPLICATION		DO NOT SCALE DRAWING			
				SIZE	DWG. NO.
				TITLE:	
				REV	
				SCALE: 1:12	WEIGHT:
				SHEET 1 OF 1	

Housing Assembly VIEW 2 (Current)