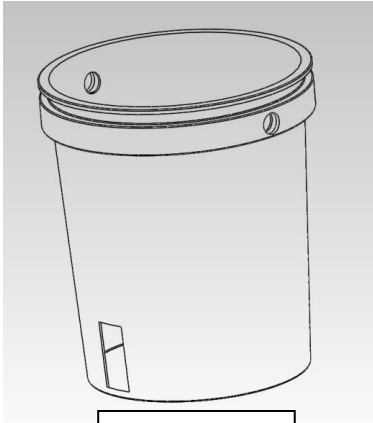
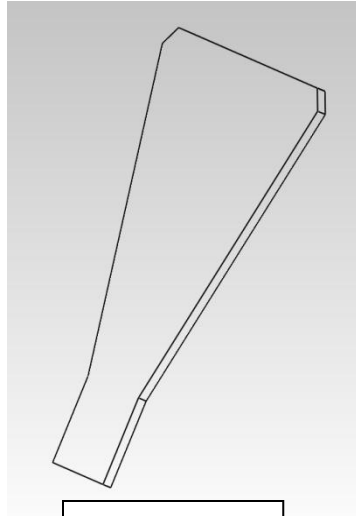


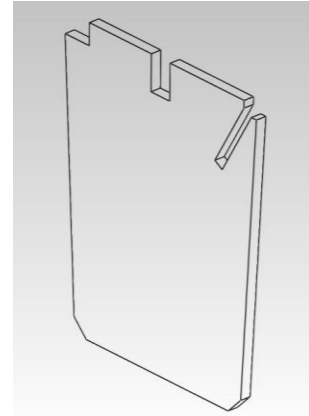
Individual Part Isometric Views



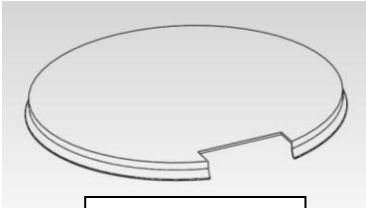
BUCKET [A]



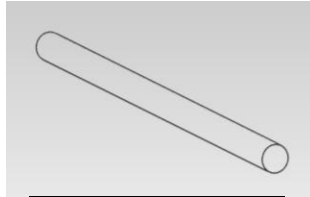
SEAT BACK [C]



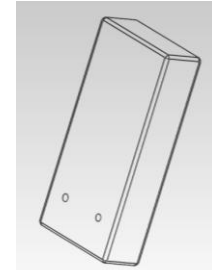
PLYWOOD INSERT [E]



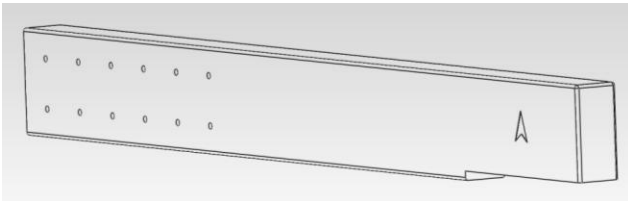
BUCKET LID [B]



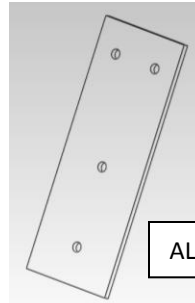
DOWEL HANDLE [F]



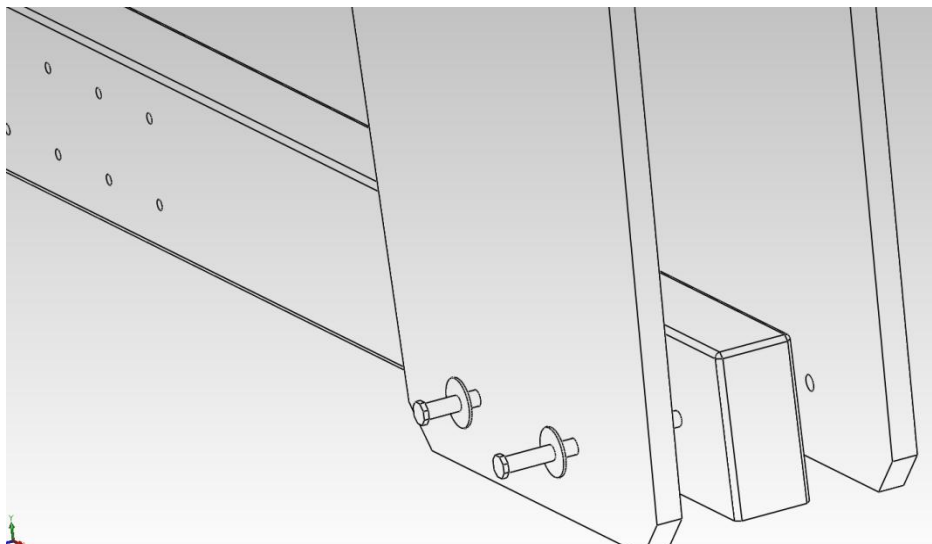
2 X 4 X 7 [G]



2 X 4 X 42 [D]



ALUMINUM BRACKET [C]



EXPLODED VIEW of PLYWOOD INSERTS [E] and 2x4x48 [D]
Illustrates order of attachment using 2 bolts, 4 washers, and 2 wingnuts

Assembly Instructions for Seat Assembly

**Before assembly, gather all components of Seat Assembly:

- [A] Bucket (QTY:1)
- [B] Bucket Lid (QTY:1)
- [C] Seat Back – ¾ inch thick plywood part (QTY:1)
- [D] 2x4x42 – white pine 2x4 (QTY:1)
- [E] Plywood Insert – ½ inch thick plywood part (QTY:2)
- [F] Dowel Handle – 1 inch diameter (QTY:1)
- [G] 2x4x7 – white pine 2x4 (QTY:1)
- [H] Aluminum Bracket (QTY:2)
- [I] Nuts & Bolts package (1 pkg)
 - Package Includes: M6-1.00 X 65 Hex Cap Bolt (QTY:4)
 - M6-1.00 X 75 Hex Cap Bolt (QTY:2)
 - M6-1.00 Wing Nut (QTY:6)
 - Washer (QTY:12)

- 1) Place Bucket [A] lid-side up
- 2) Insert 2x4x42 [D] (groove end first; arrow pointing up) through hole at bottom of Bucket [A]
- 3) Slide both Plywood Inserts [E] into Bucket [A], each Plywood Insert goes on either side of 2x4x42 [D] (diagonal slot in Item [E] should be located at rear of Bucket [A])
- 4) Attach both Plywood Inserts [E] to 2x4x42 [D] using 2 Bolts (75mm), 4 Washers, and 2 Wingnuts
** Be sure to insert bolts into both holes prior to tightening**



- 5) Slide/insert Seat Back [C] into slots cut out of Plywood Inserts [E]



- 6) Slide Dowel Handle [F] through bucket holes near top of Bucket [A]
- 7) Snap Bucket Lid [B] onto top of Bucket [A]
- 8) Place 2x4x7 [G] vertically on top face of 2x4x42 [D] at desired location

- 9) Attach 2x4x7 [G] to Item [D] using two Aluminum Brackets [H], 4 Bolts (65mm), 8 Washers, and 4 Wingnuts
Be sure to insert bolts into holes prior to tightening



- 10) Place BWM Generator onto top face of Item [G]

Disassembly may be completed in any order