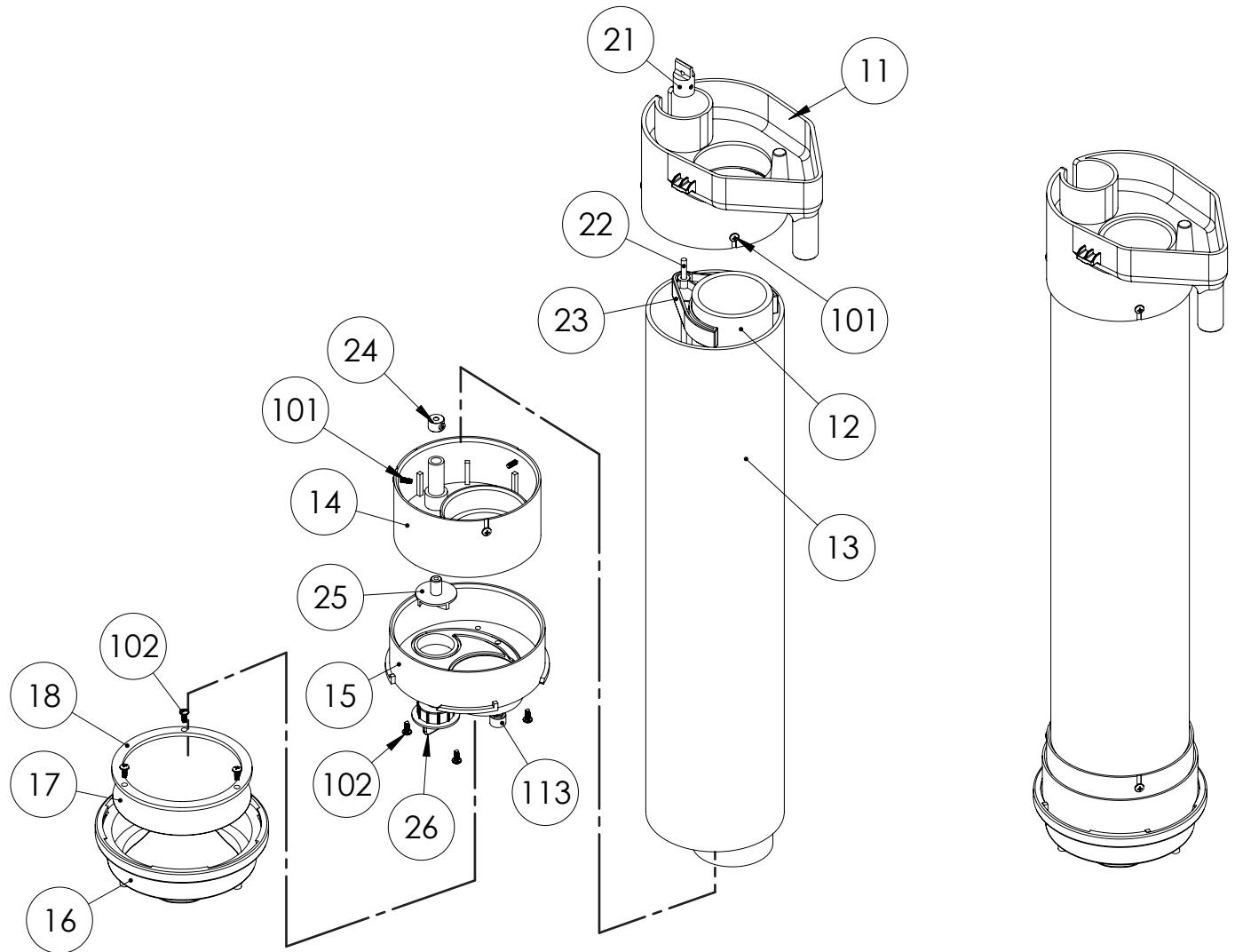


#	Quant.	Desc.
11	1	Sheath Pipe Spout
12	1	UV Pipe
13	1	Sheath Pipe
14	1	Sheath Pipe Base
15	1	Pump Bottom Plate
16	1	Filter Ring
17	1	Filter Screen
18	1	Screen Ring
21	1	Motor Coupler Plate
22	1	Motor Shaft
23	1	Drive Shaft Support
24	1	Shaft Collar
25	1	Impeller
26	1	Bottom Plate Plug
101	6	3/8" Plastite
102	7	1/4" Plastite
113	1	Flow Control Screw



UNLESS OTHERWISE SPECIFIED:	NAME	DATE
DIMENSIONS ARE IN INCHES	DRAWN	T. Ricks 11/05/08
TOLERANCES:	CHECKED	
FRACTIONAL ±	ENG APPR.	
ANGULAR: MACH ± BEND ±	MFG APPR.	
TWO PLACE DECIMAL ±	Q.A.	
THREE PLACE DECIMAL ±	COMMENTS:	

INTERPRET GEOMETRIC TOLERANCING PER:	SIZE	DWG. NO.	REV
MATERIAL	A		
FINISH	SCALE: 1:4	WEIGHT:	SHEET 2 OF 3

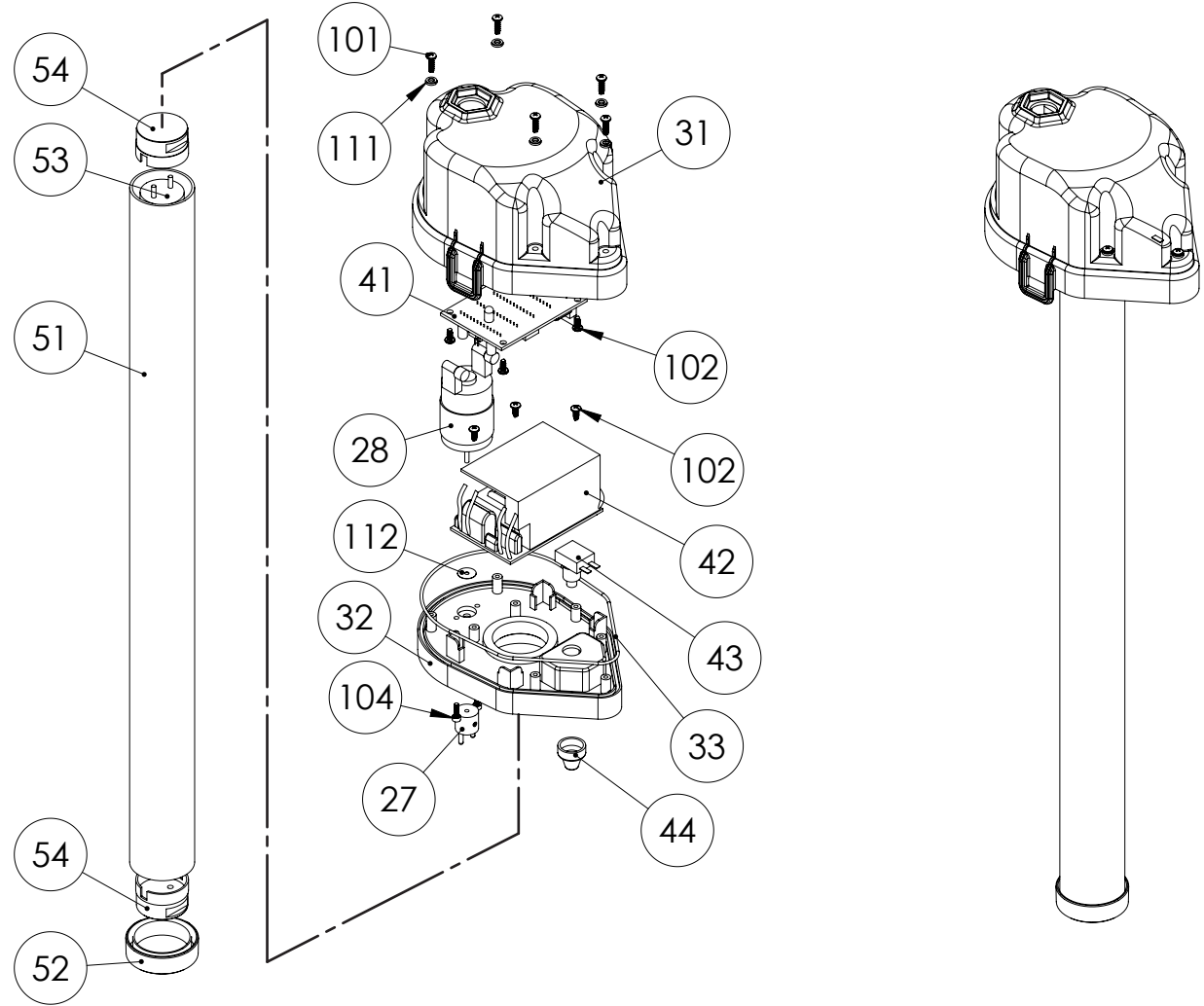
PROPRIETARY AND CONFIDENTIAL
 THE INFORMATION CONTAINED IN THIS DRAWING IS THE SOLE PROPERTY OF HARBEIC PLASTICS INCORPORATED. ANY REPRODUCTION IN PART OR AS A WHOLE WITHOUT THE WRITTEN PERMISSION OF HARBEIC PLASTICS INCORPORATED IS PROHIBITED.

NEXT ASSY USED ON APPLICATION DO NOT SCALE DRAWING

Better Water Pump Housing Assembly

SCALE: 1:4 WEIGHT: SHEET 2 OF 3

#	Quant.	Desc.
27	1	Coupler Post Side
28	1	Stir Motor
31	1	Cover
32	1	Pump Top Seal
33	1	Cover O-Ring
41	1	Controller Board
42	1	Lamp Ballast
43	1	Interlock Switch
44	1	Interlock Cap
51	1	Quartz Tube
52	1	Quartz End Cap
53	1	UV Lamp
54	2	Lamp Sockets
101	5	3/8" Plastite
102	7	1/4" Plastite
104	2	Motor Screws
111	5	Sealing Washers
112	1	Teflon Disk Seal



UNLESS OTHERWISE SPECIFIED:		NAME	DATE	TITLE:
DIMENSIONS ARE IN INCHES TOLERANCES: FRACTIONAL ± ANGULAR: MACH ± BEND ± TWO PLACE DECIMAL ± THREE PLACE DECIMAL ±		DRAWN	T. Ricks 11/05/08	
INTERPRET GEOMETRIC TOLERANCING PER:		CHECKED		
MATERIAL		ENG APPR.		
FINISH		MFG APPR.		
NEXT ASSY	USED ON	Q.A.	COMMENTS:	SIZE DWG. NO. REV
APPLICATION		DO NOT SCALE DRAWING		A SCALE: 1:4 WEIGHT: SHEET 3 OF 3