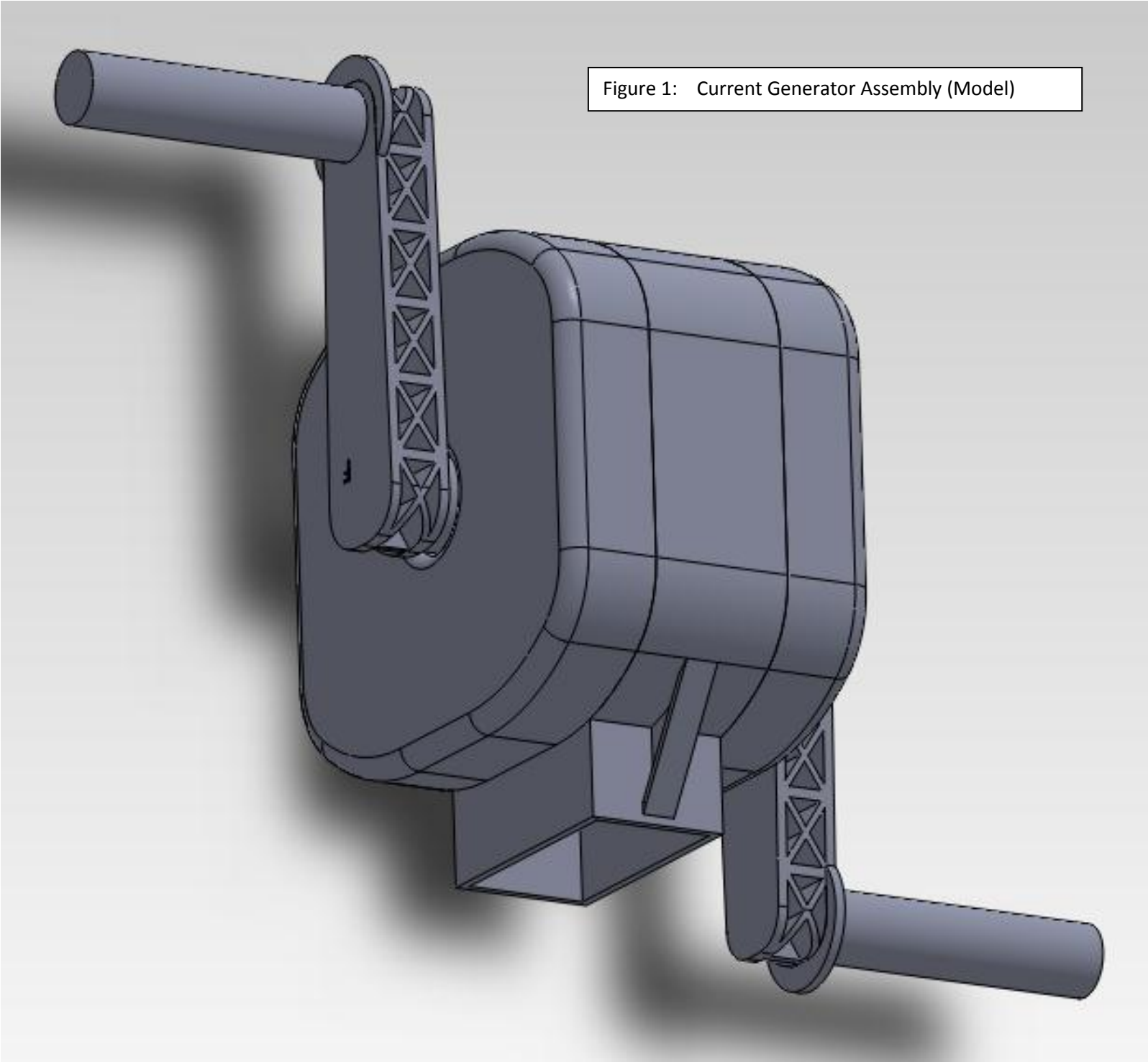


Figure 1: Current Generator Assembly (Model)



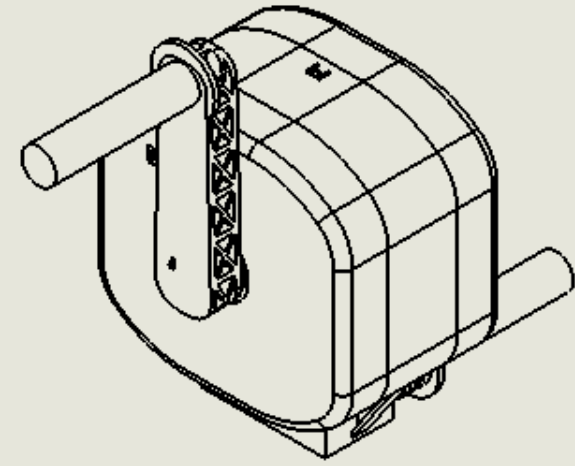
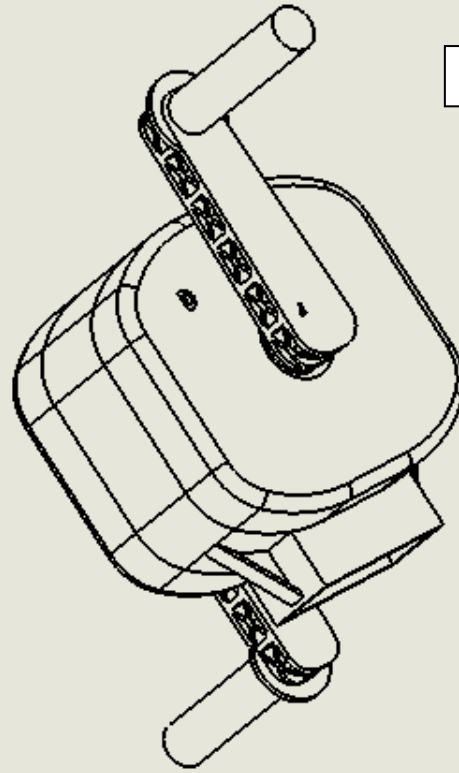
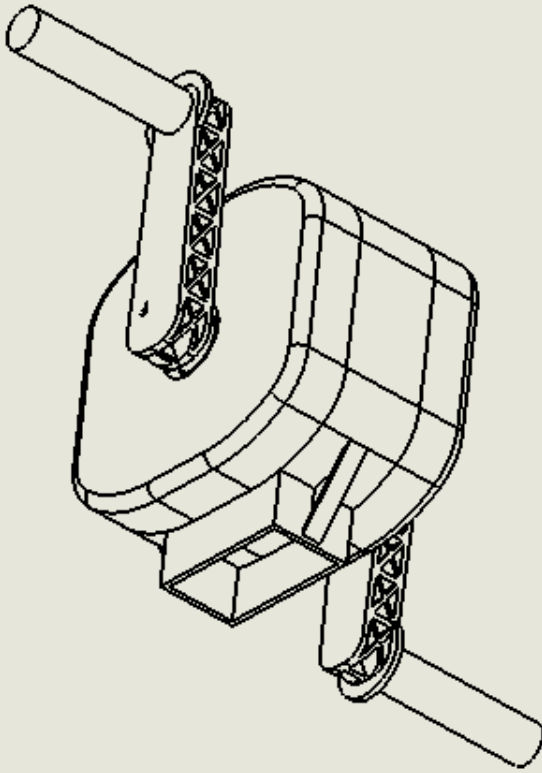


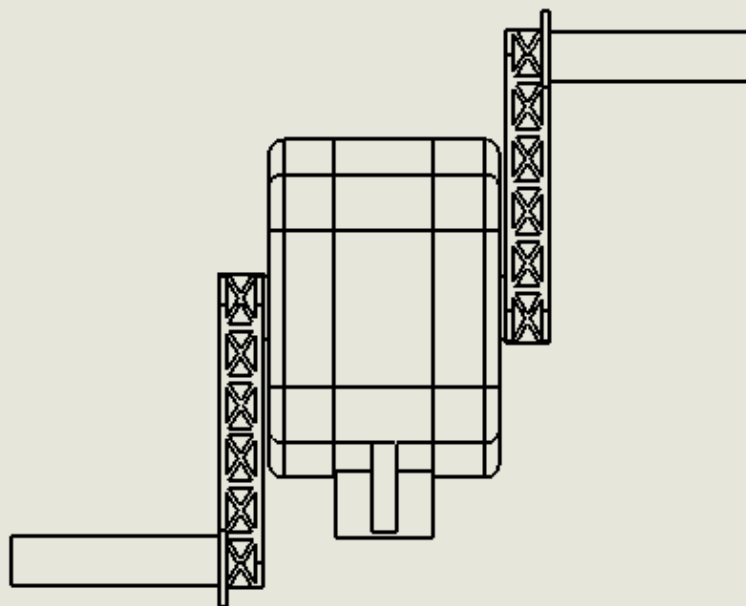
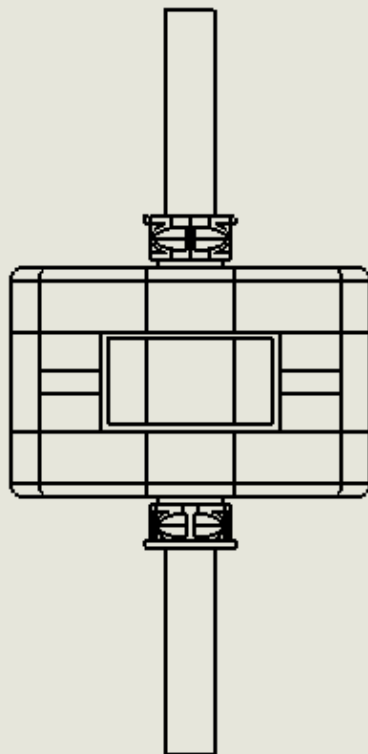
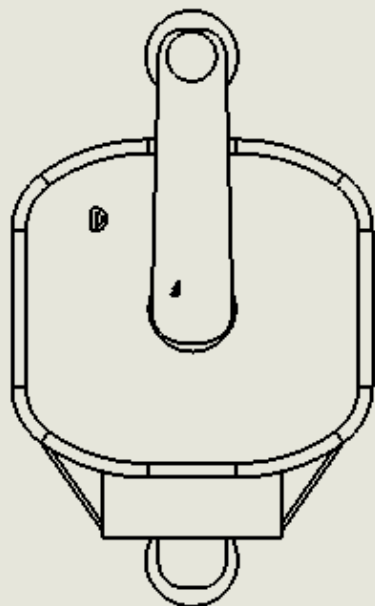
Figure 2: Current Generator Assembly (Drawing)

PROPRIETARY AND CONFIDENTIAL  
 THE INFORMATION CONTAINED IN THE  
 DRAWING IS THE SOLE PROPERTY OF  
 - INSERT COMPANY NAME HERE -. ANY  
 REPRODUCTION IN PART OR AS A WHOLE  
 WITHOUT THE WRITTEN PERMISSION OF

		UNLESS OTHERWISE SPECIFIED:	NAME	DATE	
		DIMENSIONS ARE IN INCHES	DRAWN		TITLE:
		TOLERANCES:	CHECKED		
		FRACTIONAL ±	ENG APPR.		
		ANGULAR: MACH ± BEND ±	MFG APPR.		
		TWO PLACE DECIMAL ±	Q.A.		
		THREE PLACE DECIMAL ±	COMMENTS:		
		INTERPRET GEOMETRIC TOLERANCING PER:			SIZE DWG. NO.
		MATERIAL			REV
NEXT ASSY	USED ON	FINISH			

Housing\_A Assembly\_Iso Vie

Figure 3: Current Generator Assembly (Model)



PROPRIETARY AND CONFIDENTIAL  
 THE INFORMATION CONTAINED IN THIS  
 DRAWING IS THE SOLE PROPERTY OF  
 <INSERT COMPANY NAME HERE>. ANY  
 REPRODUCTION IN PART OR AS A WHOLE  
 WITHOUT THE WRITTEN PERMISSION OF  
 <INSERT COMPANY NAME HERE> IS  
 PROHIBITED.

		UNLESS OTHERWISE SPECIFIED:	NAME	DATE	
		DIMENSIONS ARE IN INCHES	DRAWN		TITLE:
		TOLERANCES:	CHECKED		
		FRACTIONAL ±	ENG APPR.		
		ANGULAR: MACH ± BEND ±	MFG APPR.		
		TWO PLACE DECIMAL ±	Q.A.		SIZE DWG. NO.
		THREE PLACE DECIMAL ±	COMMENTS:		REV
		INTERPRET GEOMETRIC TOLERANCING PER:			
		MATERIAL:			
		FINISH:			
NEXT ASSY	USED ON	DO NOT SCALE DRAWING			SCALE: 1:8 WEIGHT: SHEET 1 OF 1
APPLICATION					

Housing\_Assembly\_FRT\_SIDE

5

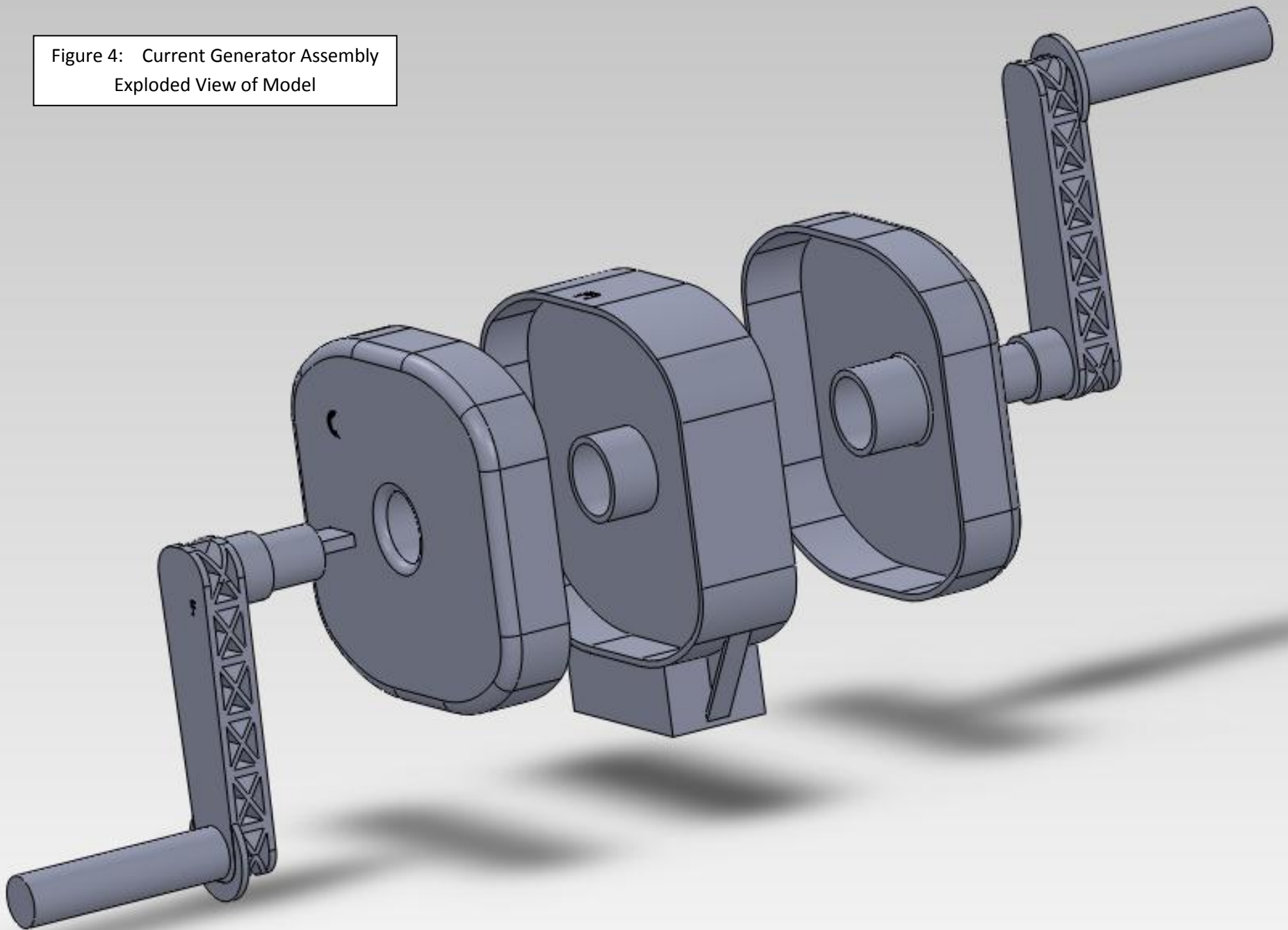
4

3

2

1

Figure 4: Current Generator Assembly  
Exploded View of Model



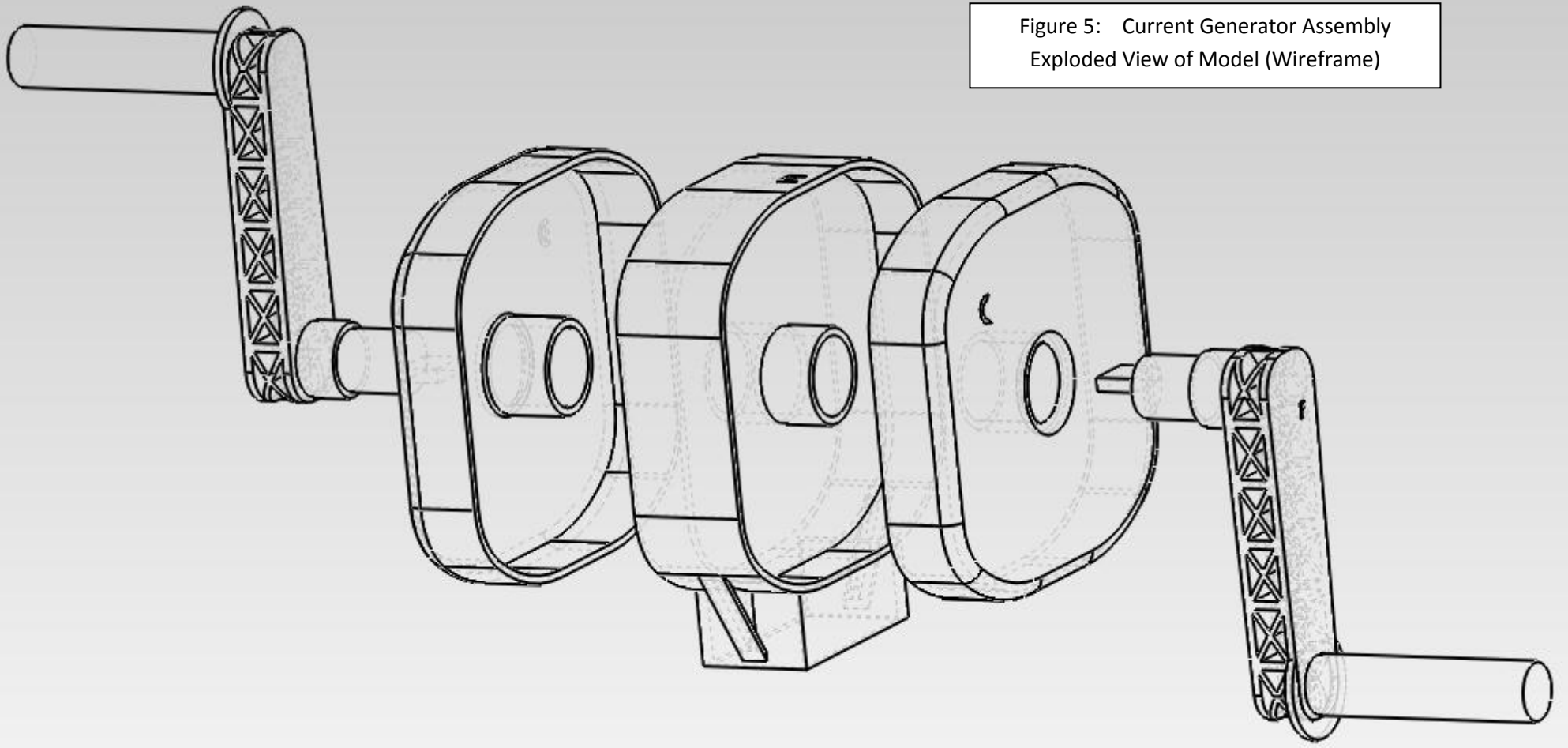


Figure 5: Current Generator Assembly  
Exploded View of Model (Wireframe)

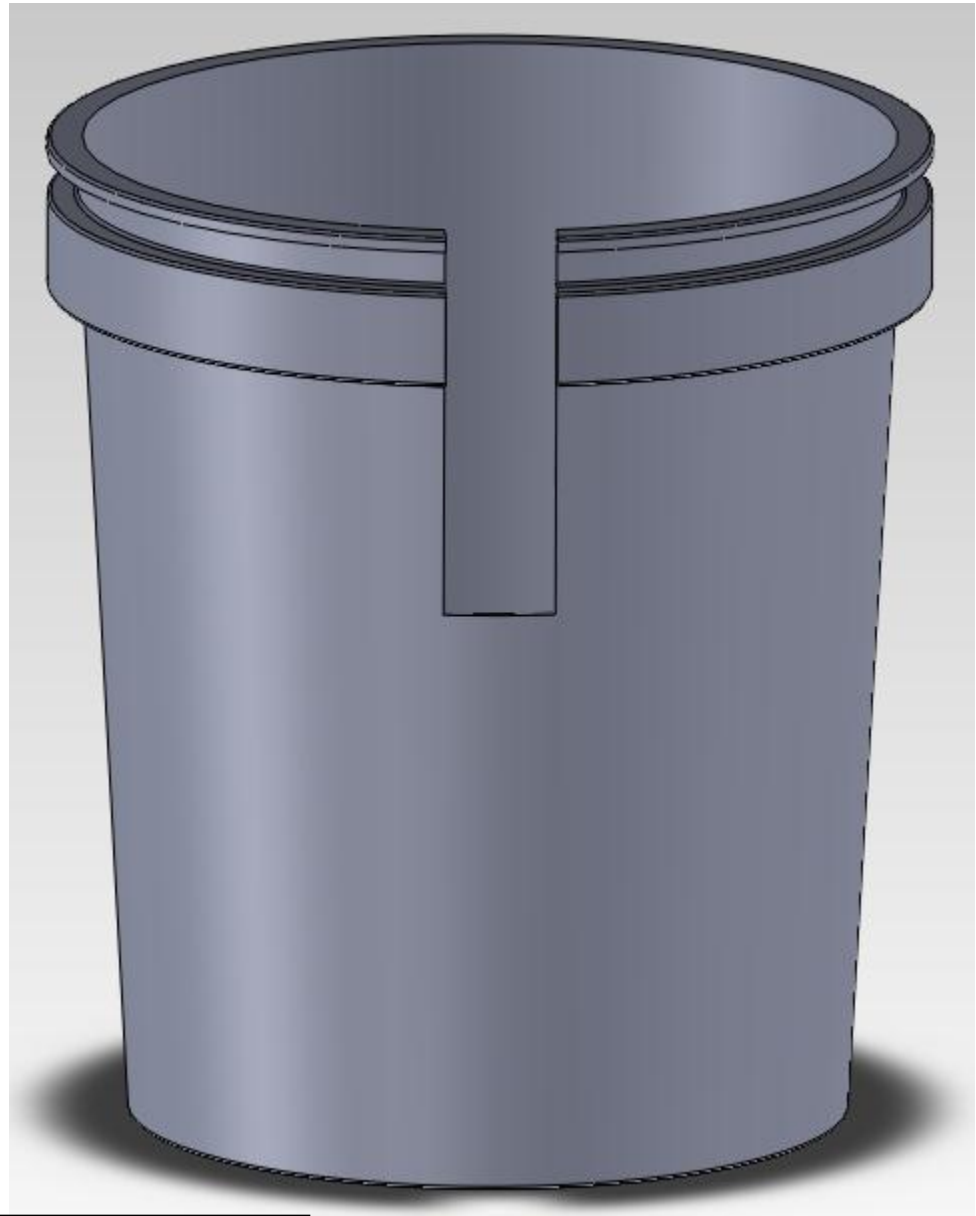


Figure 6: Current 5 gallon Bucket (Model)

Figure 7: Current Wood-Insert Assembly (Model)

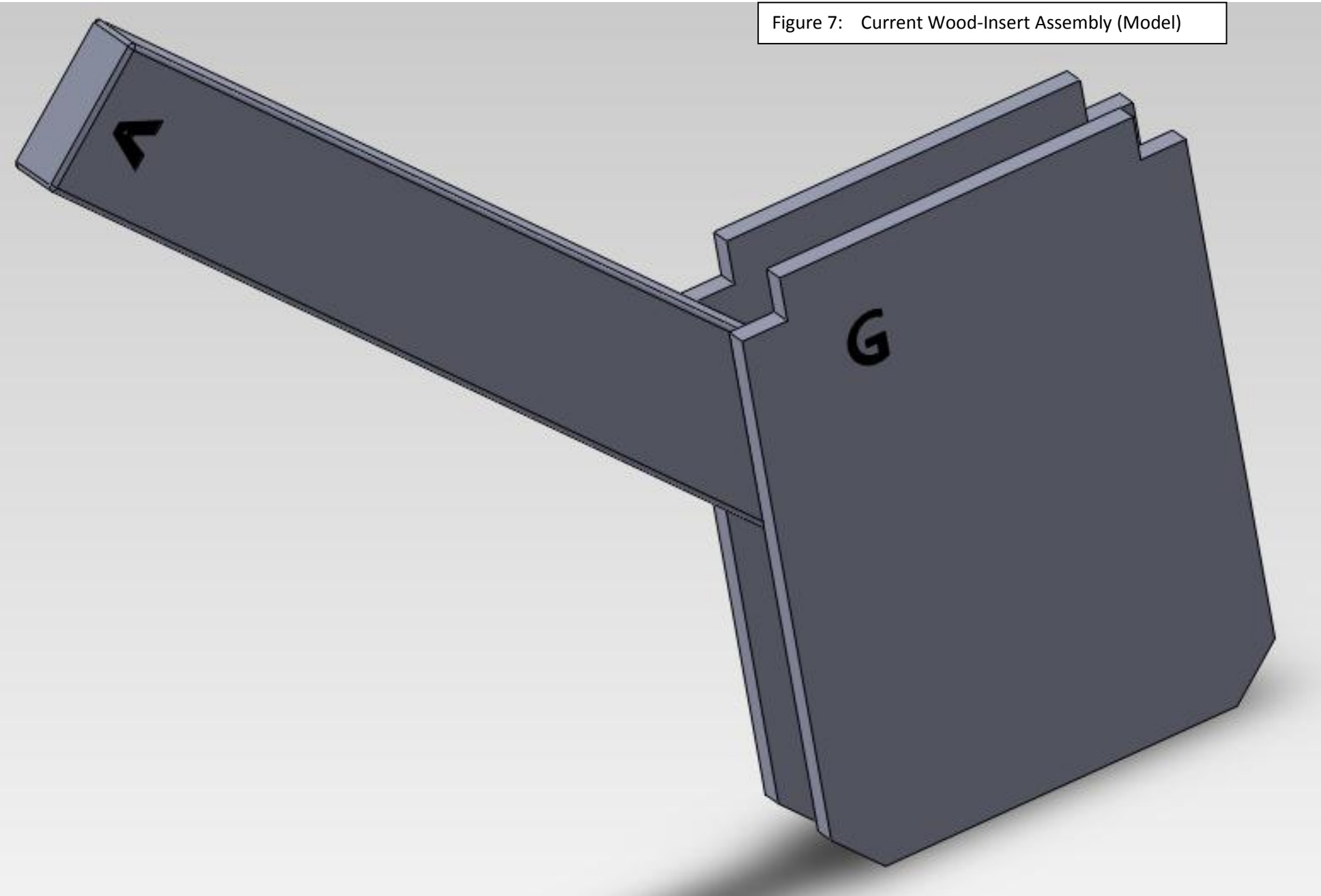


Figure 8: Current Bucket/Generator Assembly  
(Model)

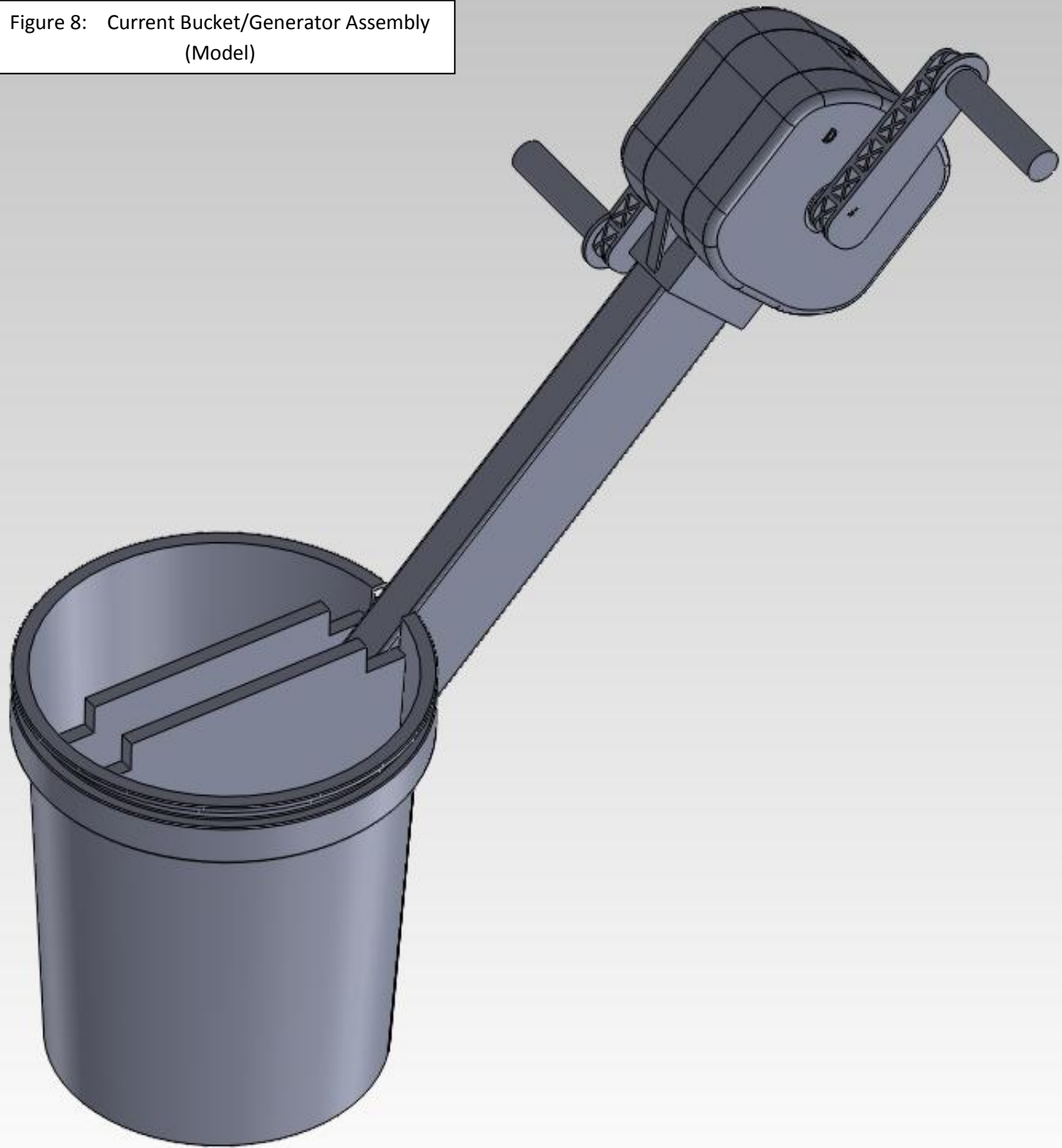




Figure 9: Current Bucket/Generator Assembly  
(Model)

