

MODEL NAME
COMBUSTION_CHAMBER

D

C

B

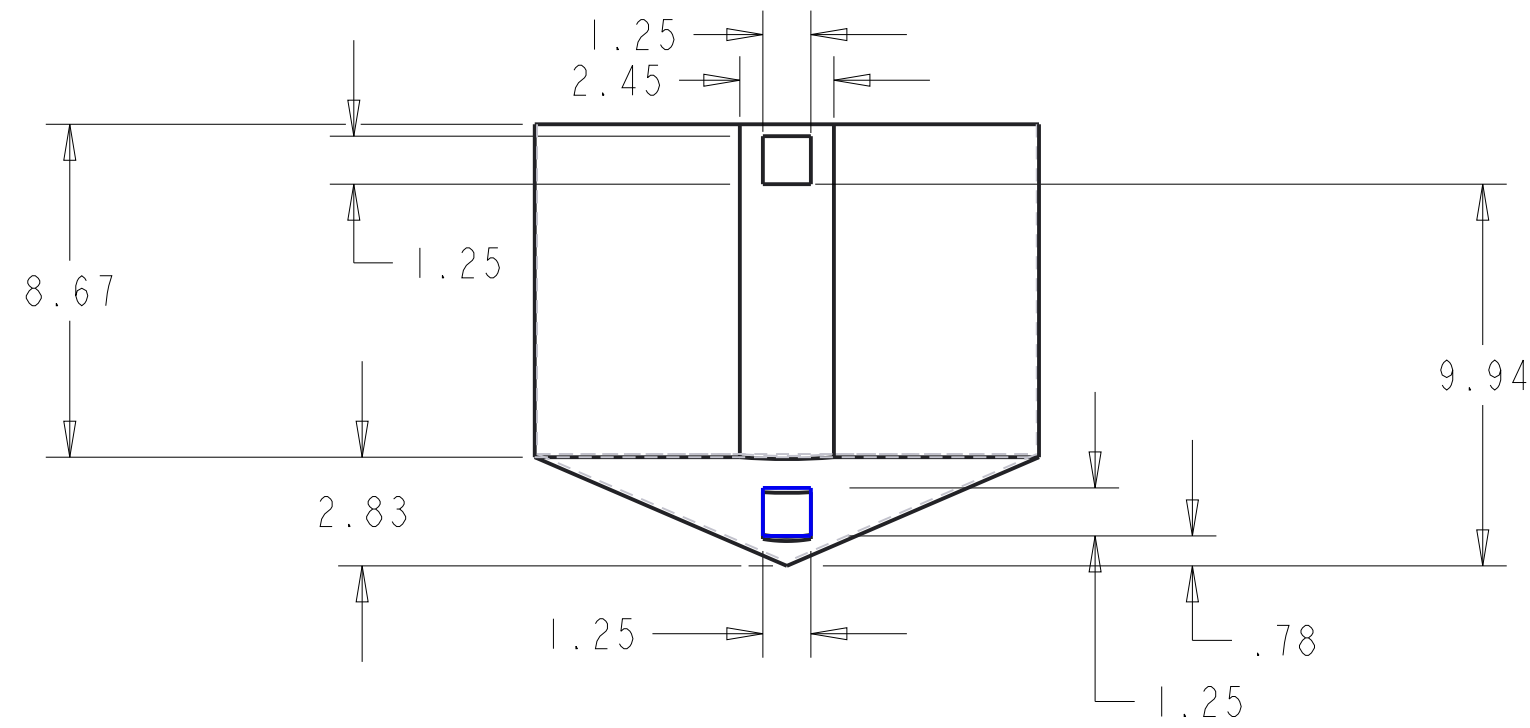
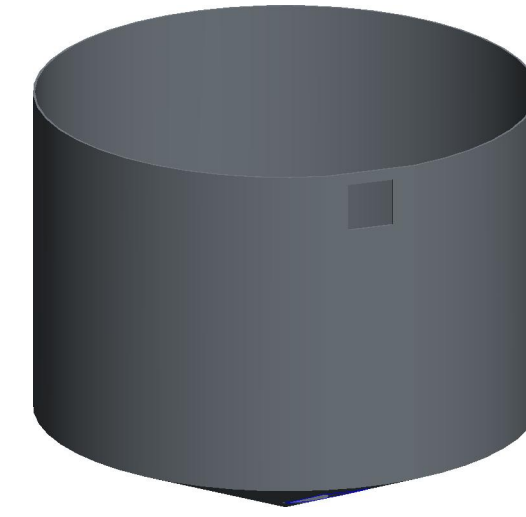
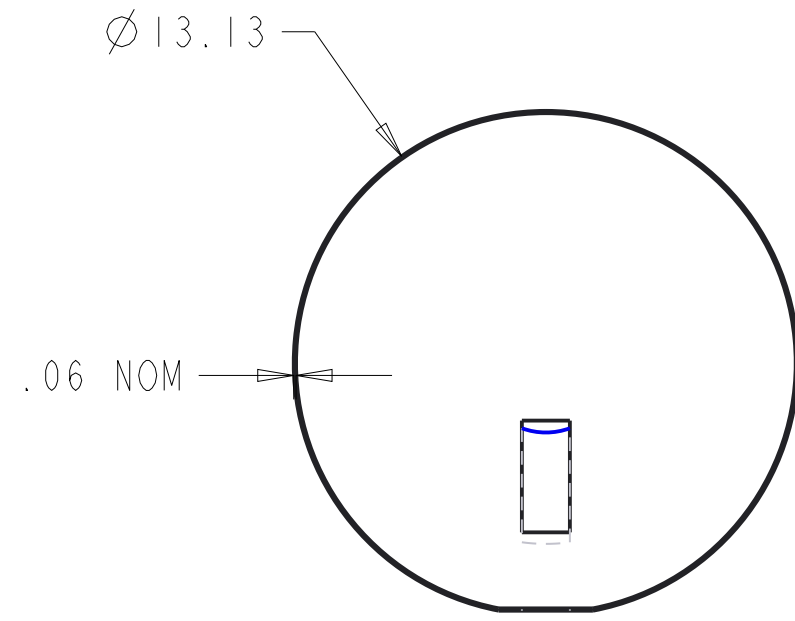
A

D

C

B

A



Material		DRAWN BY MLS	DATE 05/15/13
Steel		CHECKED BY AR	DATE 05/15/13
		APPROVED BY	DATE
<small>THIS DOCUMENT IS SUPPLIED IN CONFIDENCE. NO REPRODUCTION OF THIS DOCUMENT IN PART OR IN WHOLE OR THE USE OF THE ITEMS SHOWN MAY BE MADE WITHOUT THE COPYRIGHT OWNER'S WRITTEN PERMISSION.</small>		SCALE 0.200	SHEET 1 OF 1
<small>UNLESS OTHERWISE SPECIFIED ALL DIMENSIONS ARE IN INCHES. TOLERANCES ARE: X.X +/- 0.1 X.XX +/- 0.01 X.XXX +/- 0.001 ANG +/- 1°</small>		MODEL NAME COMBUSTION_CHAMBER	
DO NOT SCALE		TITLE Thermoelectric Charcoal Cookstove	PROJECT MSD P13441
		REV 2	