

MODEL NAME
HOT_AIR_EXIT_HOUSING

D

C

B

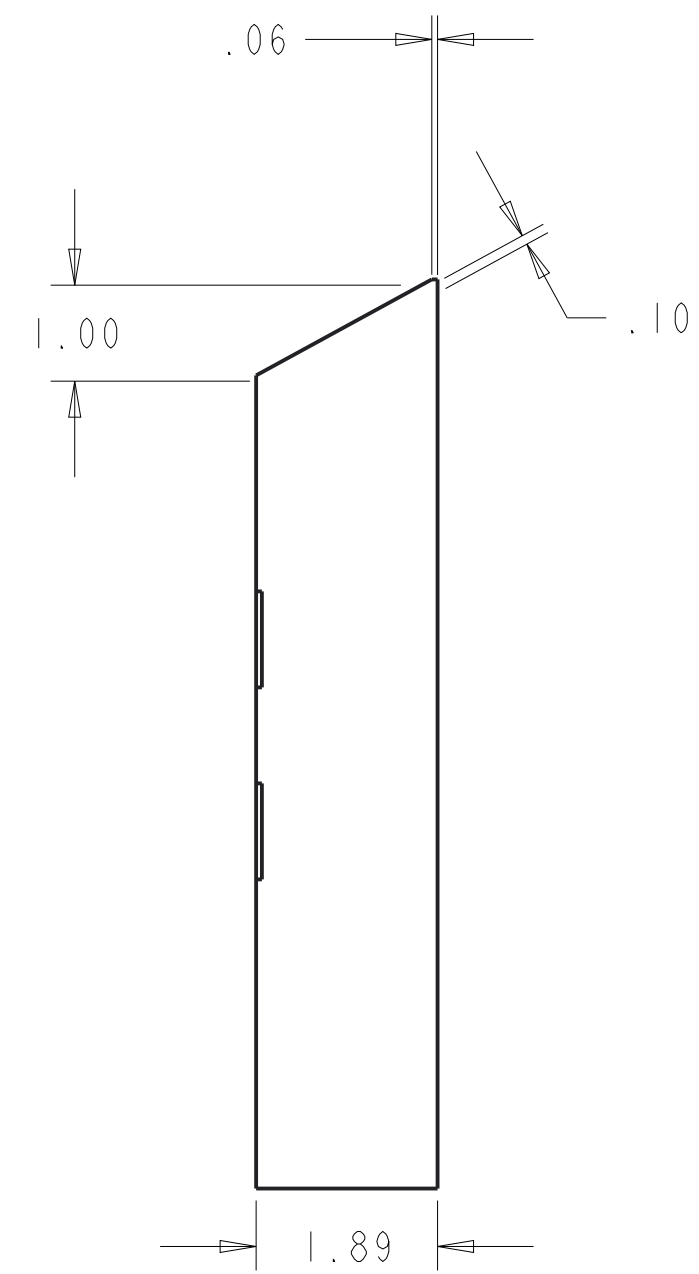
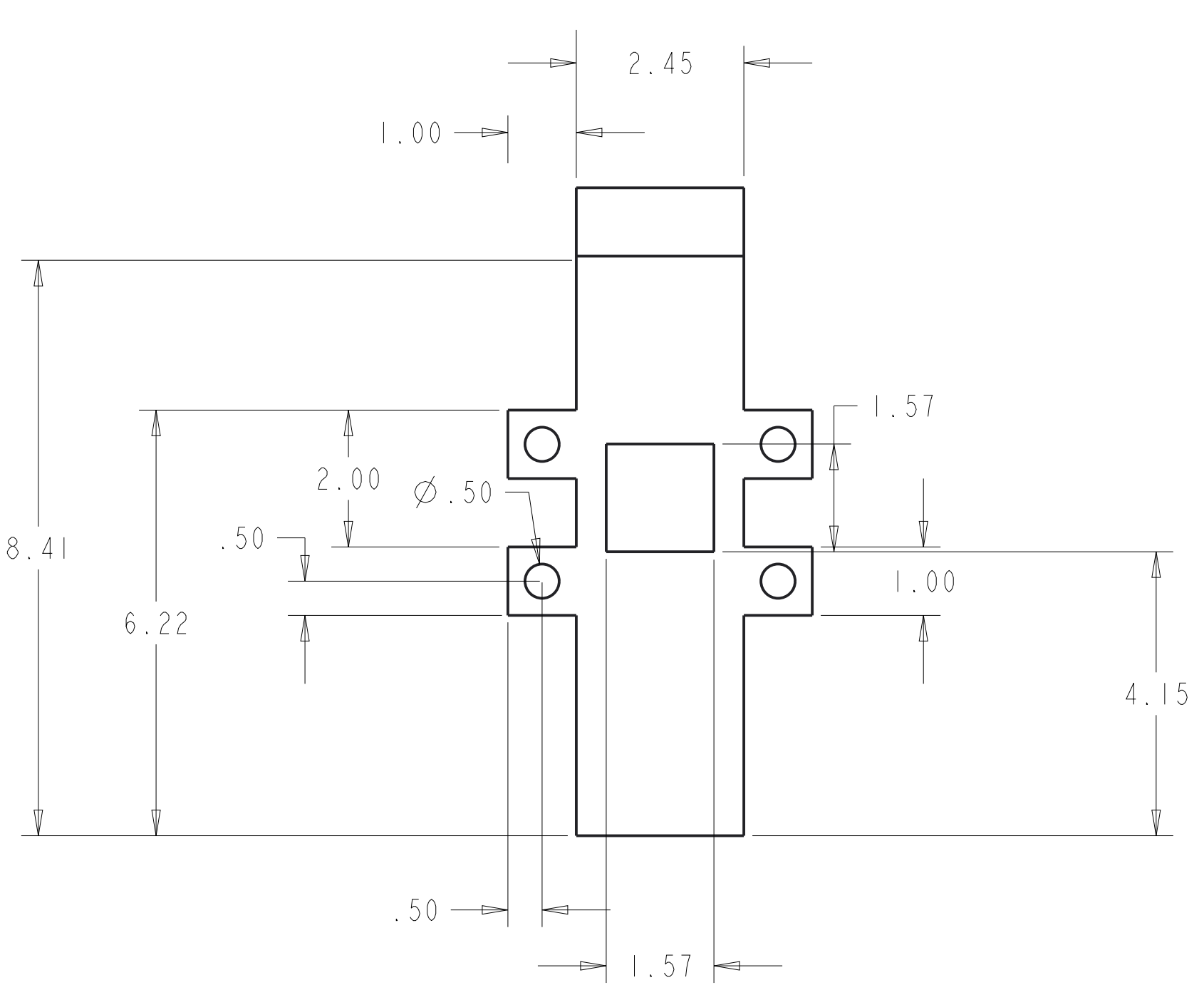
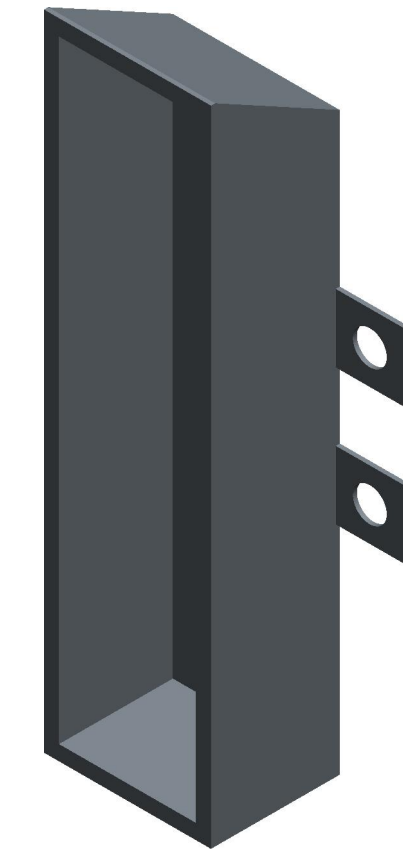
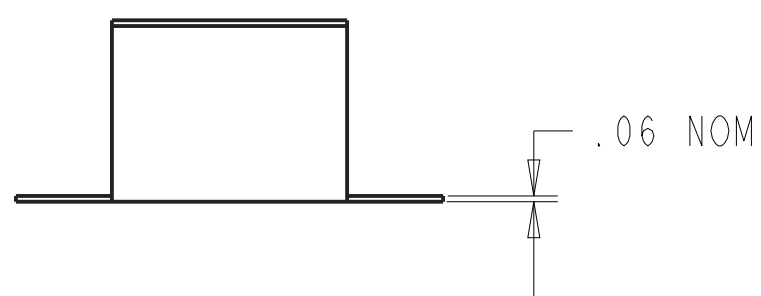
A

D

C

B

A



Material		DRAWN BY	MLS	DATE	05/15/13
Steel		CHECKED BY	AR	DATE	05/15/13
		APPROVED BY		DATE	
UNLESS OTHERWISE SPECIFIED ALL DIMENSIONS ARE IN INCHES. TOLERANCES ARE: X.X +/- 0.1 X.XX +/- 0.01 X.XXX +/- 0.001 ANG +/- .1°		THIS DOCUMENT IS SUPPLIED IN CONFIDENCE. NO REPRODUCTION OF THIS DOCUMENT IN PART OR IN WHOLE OR THE USE OF THE ITEMS SHOWN MAY BE MADE WITHOUT THE COPYRIGHT OWNER'S WRITTEN PERMISSION.		SCALE	0.500 SHEET 1 OF 1
DO NOT SCALE		MODEL NAME	HOT_AIR_EXIT_HOUSING		
		TITLE	Thermoelectric Charcoal Cookstove	PROJECT	MSD P13441
				REV	2