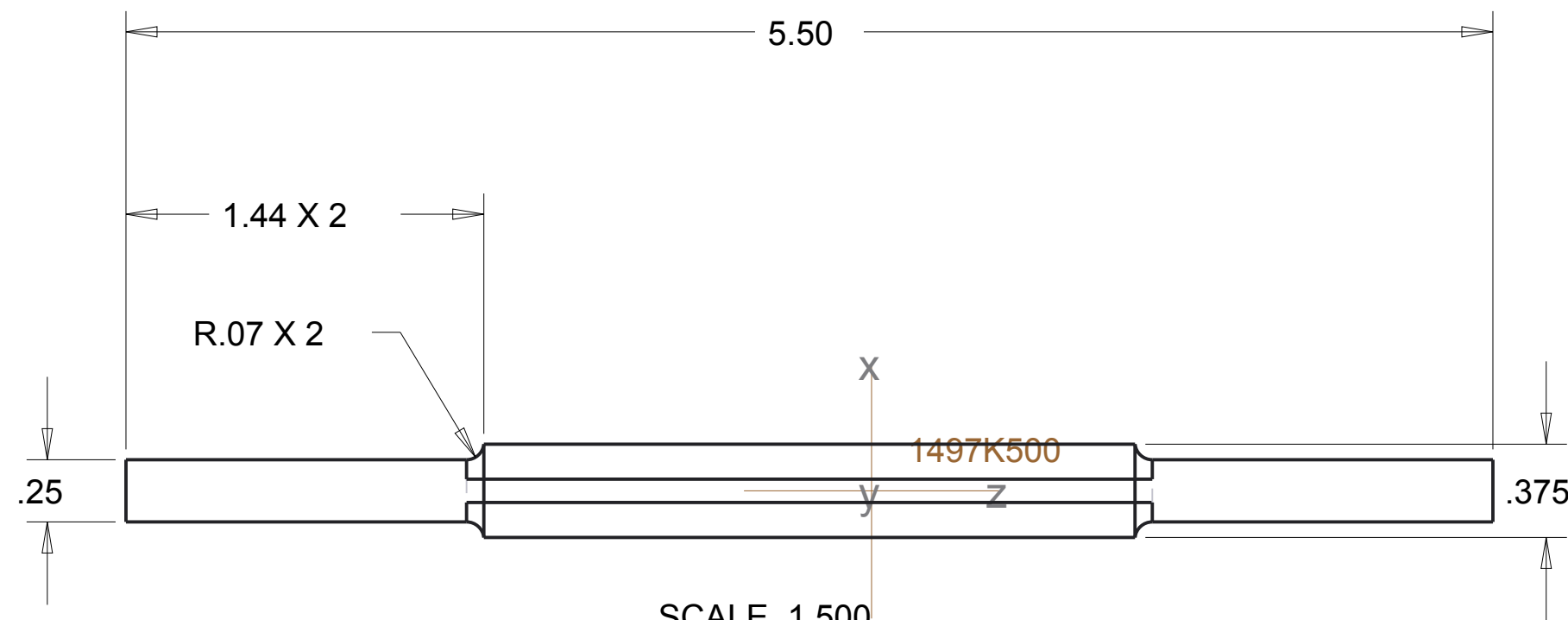
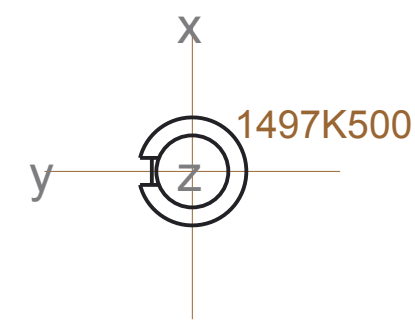


SCALE 1.500



SCALE 1.500



P14418			
TITLE			
DRIVE SHAFT			
SIZE	DRAWN	DWG NO	REV
C	KMJ	008	0
MATERIAL: 1045 STEEL		DATE: 12/3	SCALE: 1.5
		UNIT WT: [.2]	SHEET 1 OF 1

UNLESS OTHERWISE SPECIFIED DIMENSIONS ARE IN INCHES (IN)

TOLERANCES:  
 .1 ± .1  
 .12 ± .01  
 .123 ± .005  
 .1234 ± .0050