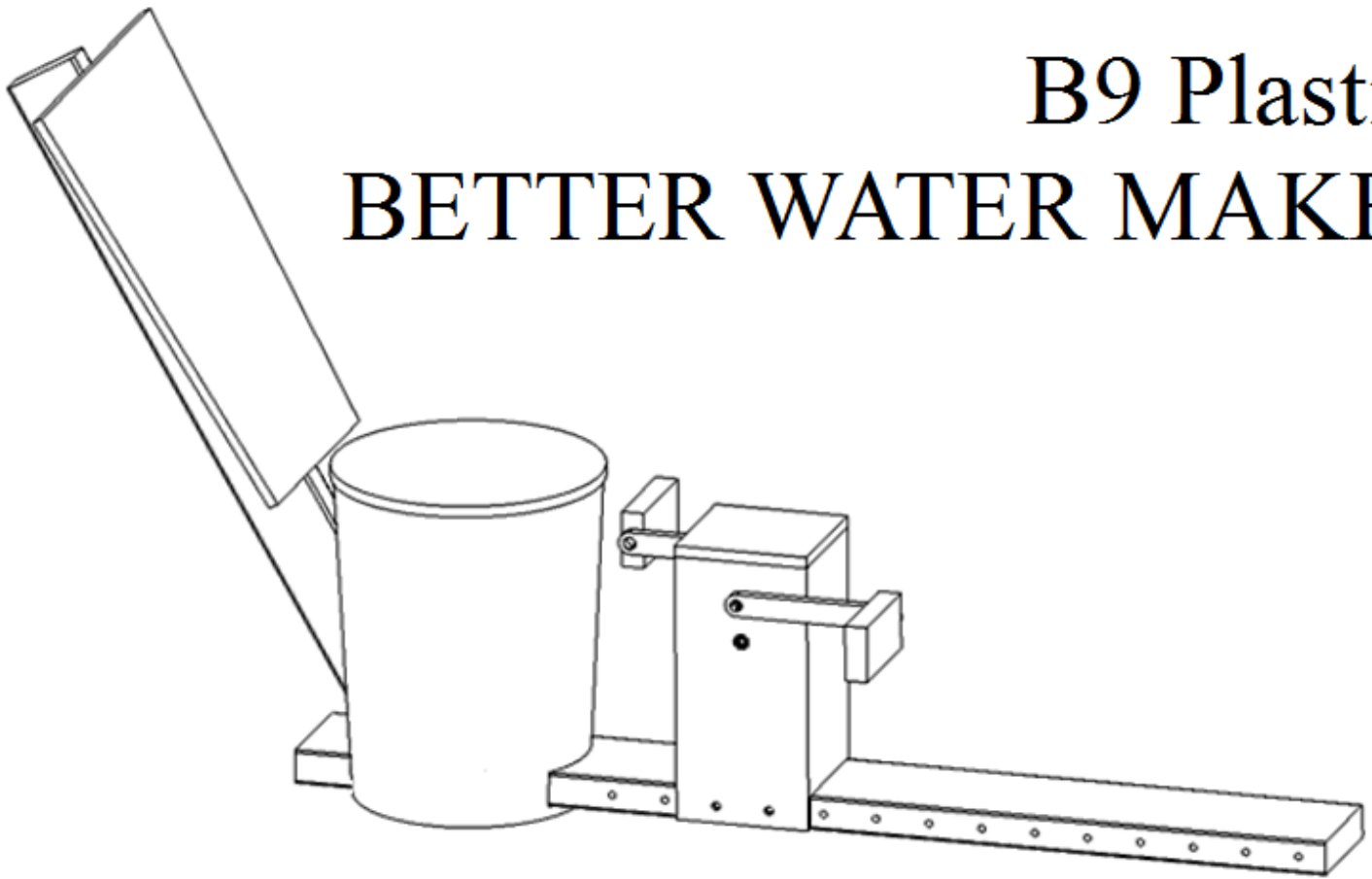
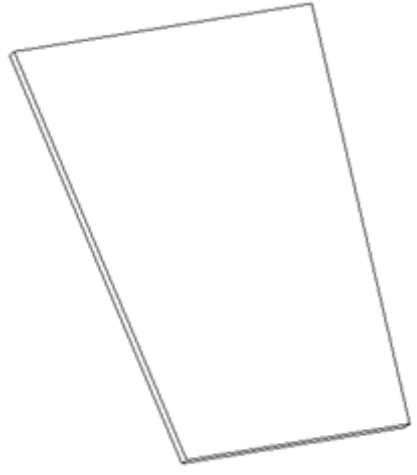
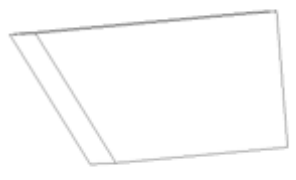


# B9 Plastics BETTER WATER MAKER

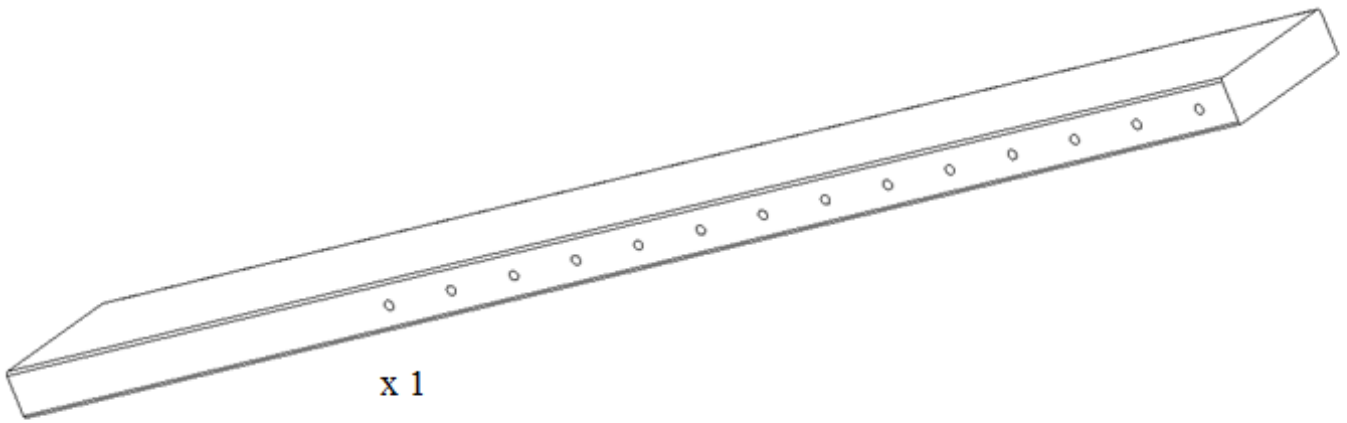




x 1



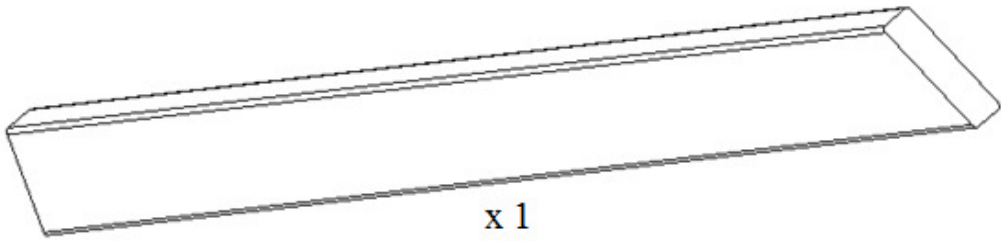
x 1



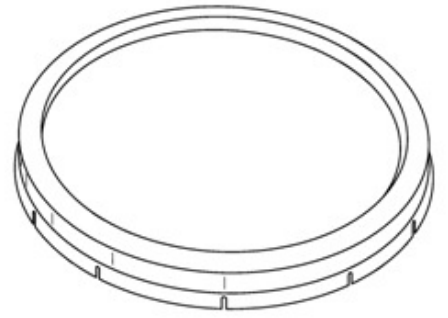
x 1



x 2



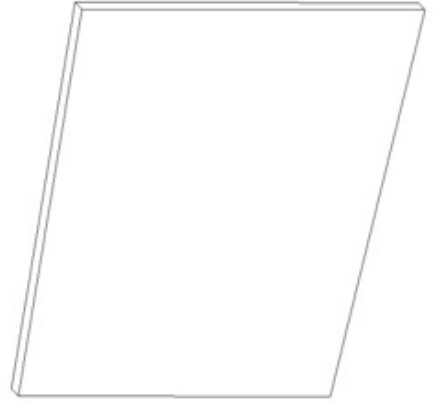
x 1



x 1

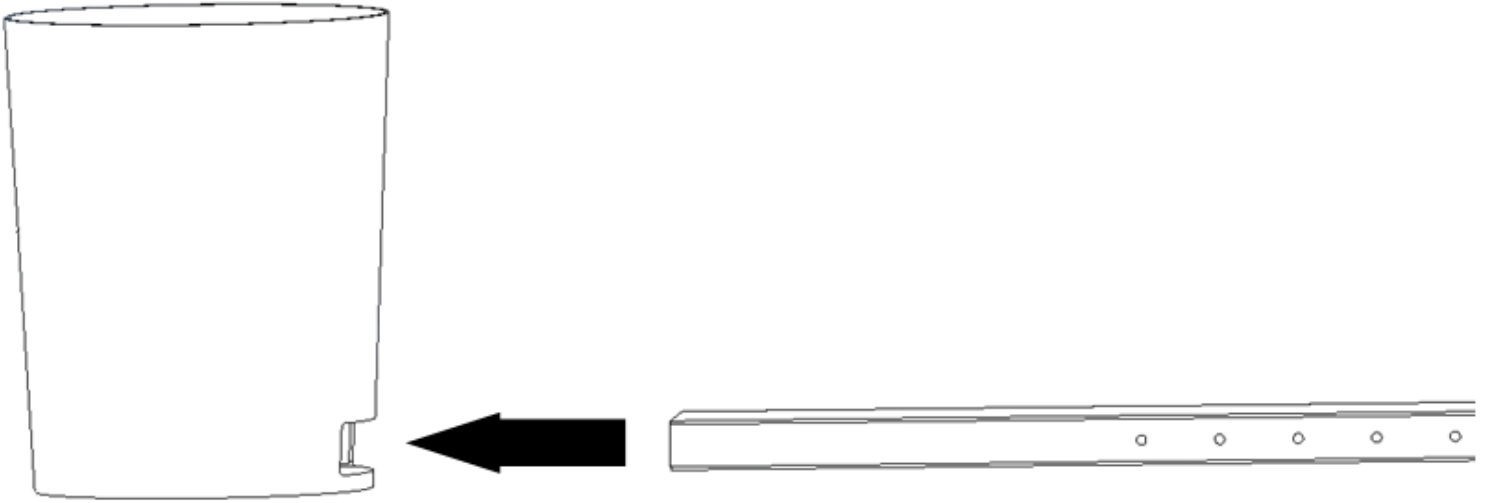


x 1

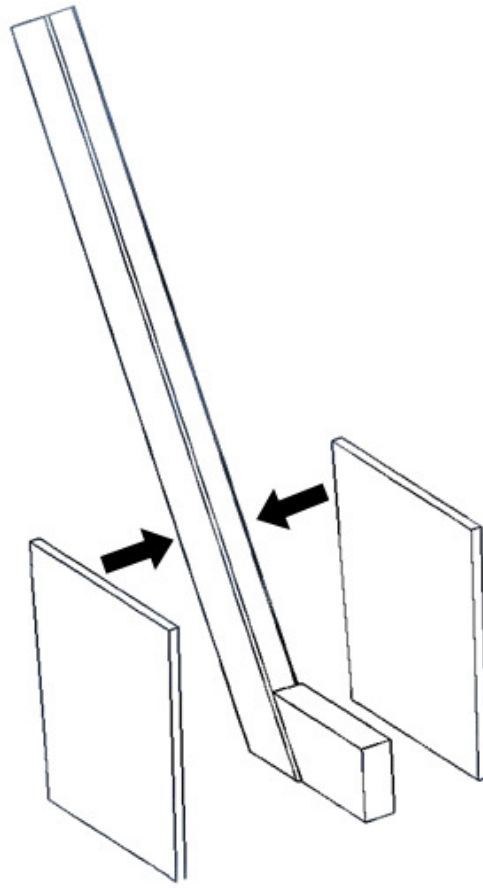


x 2

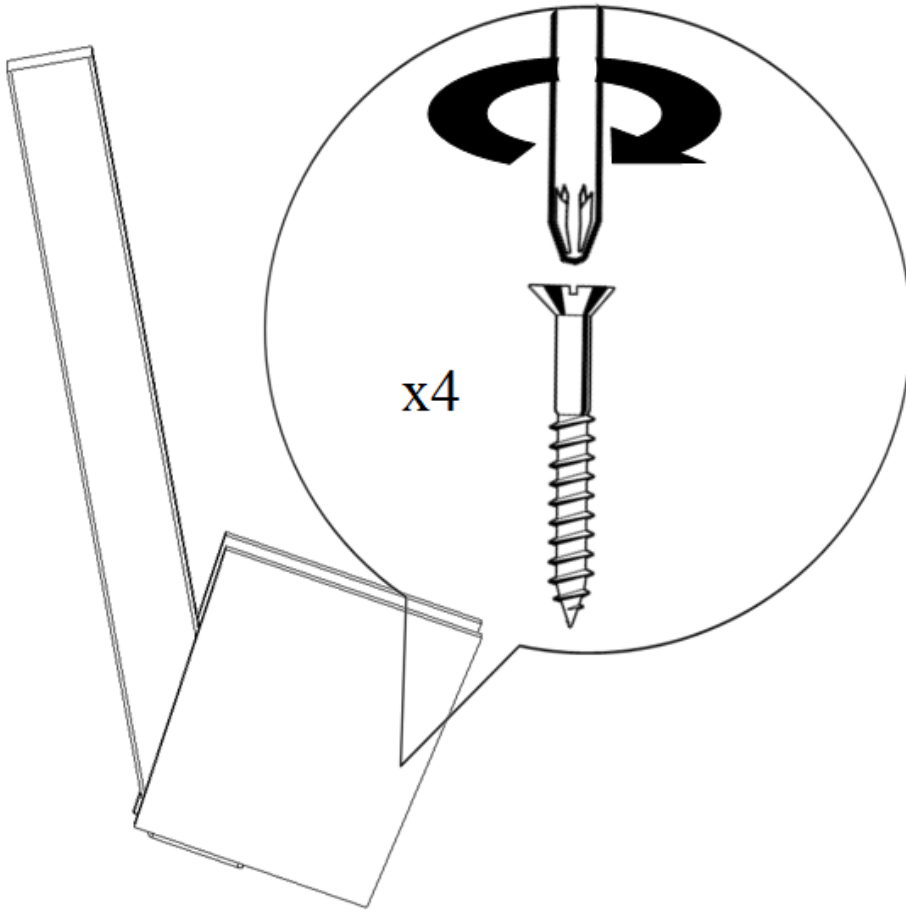
1.



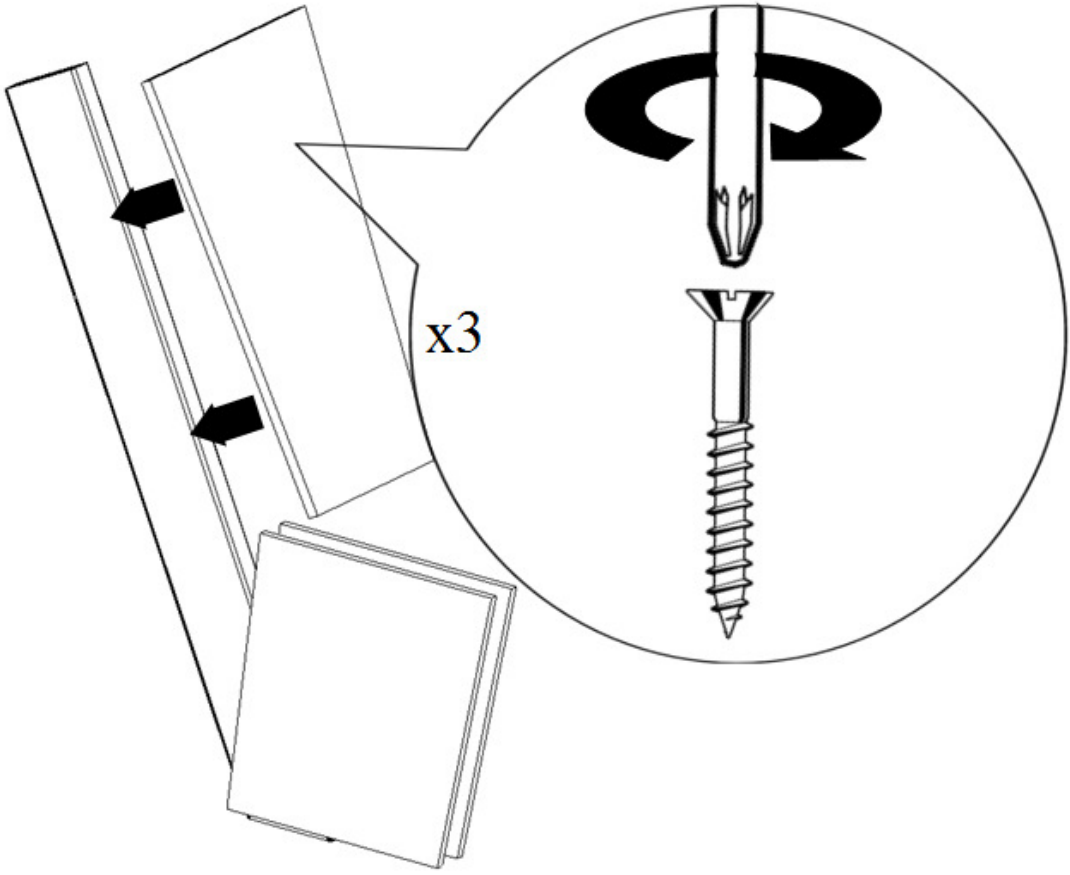
2.



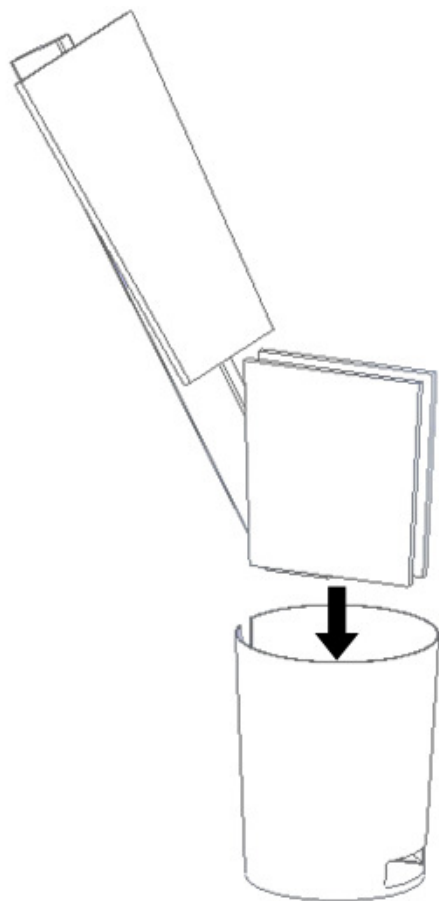
3.



4.

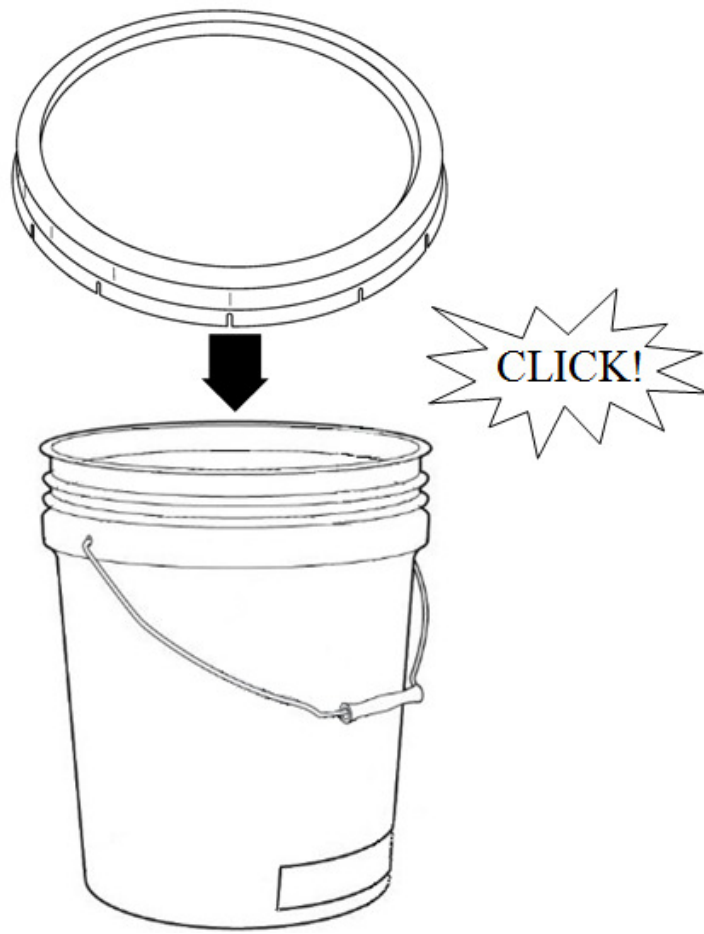


5.





6.



7.

