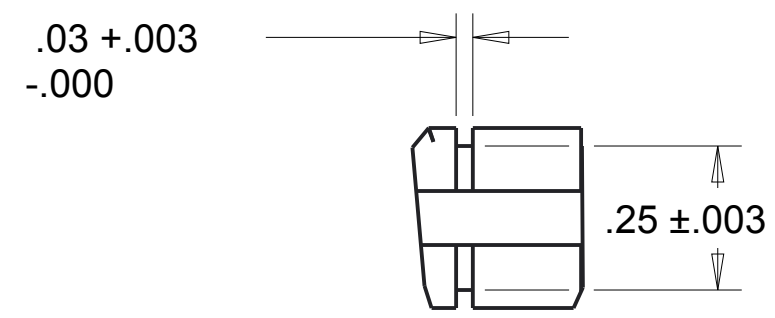
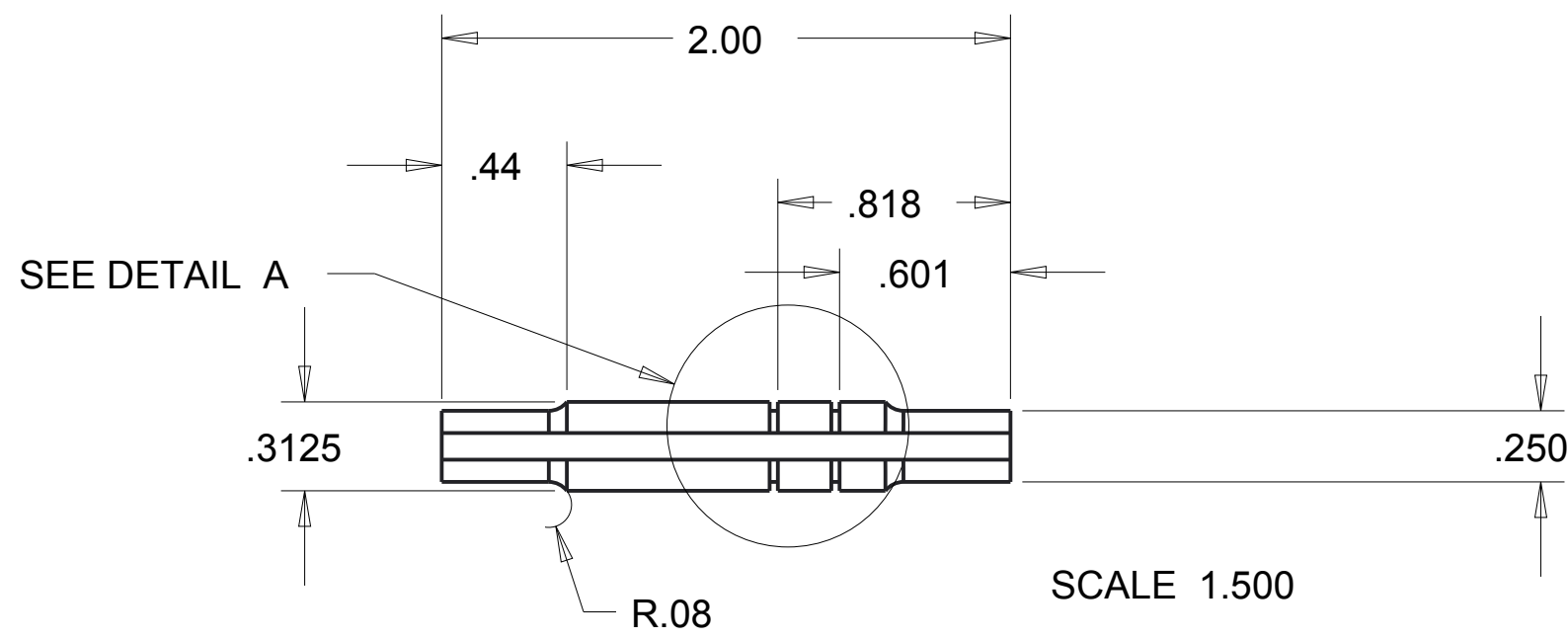
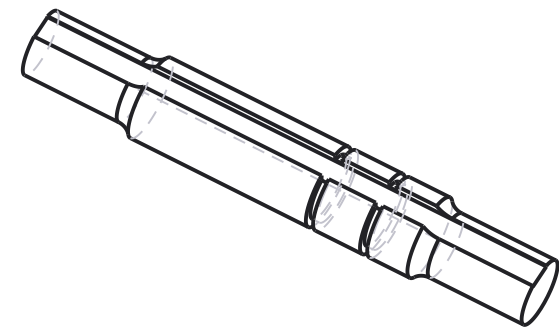


Revision	Changes made	Change By:	Date:
A	INITIAL RELEASE	KMJ	12/7



DETAIL A
SCALE 3.000



SCALE 1.500



P14418			
TITLE INTERMEDIATE SHAFT			
SIZE	DRAWN	DWG NO	REV
C	KMJ	009	A
MATERIAL: 1045 STEEL		DATE: 12/3	SCALE: 1.5
		UNIT WT: [.2]	SHEET 1 OF 1

UNLESS OTHERWISE SPECIFIED DIMENSIONS ARE IN INCHES (IN)

TOLERANCES:
 .1 ±.1
 .12 ±.01
 .123 ±.005
 .1234 ±.0050