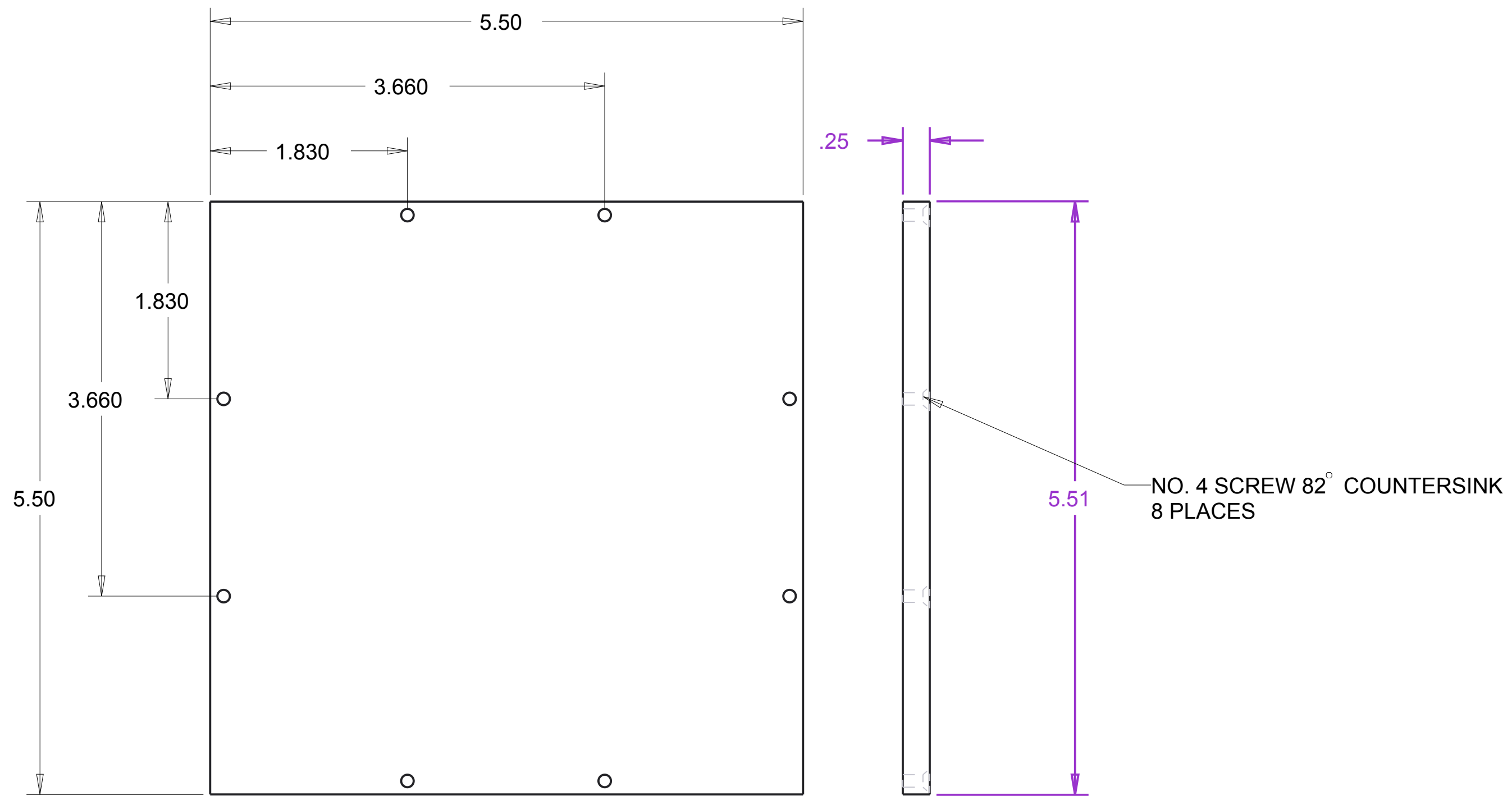


| Revision | Changes made    | Change By: | Date: |
|----------|-----------------|------------|-------|
| A        | INITIAL RELEASE | KMJ        | 12/7  |
|          |                 |            |       |



|                 |            |             |               |              |
|-----------------|------------|-------------|---------------|--------------|
| <b>P14418</b>   |            |             |               |              |
| TITLE           |            |             |               |              |
| <b>Case Lid</b> |            |             |               |              |
| SIZE            | DRAWN      | DWG NO      | REV           |              |
| <b>C</b>        | <b>KMJ</b> | <b>0014</b> | <b>A</b>      |              |
| MATERIAL: PVC   | DATE: 12/3 | SCALE: 1    | UNIT WT: [.2] | SHEET 1 OF 1 |

UNLESS OTHERWISE SPECIFIED DIMENSIONS ARE IN INCHES (IN)

TOLERANCES:  
 .1 ± .1  
 .12 ± .01  
 .123 ± .005  
 .1234 ± .0050