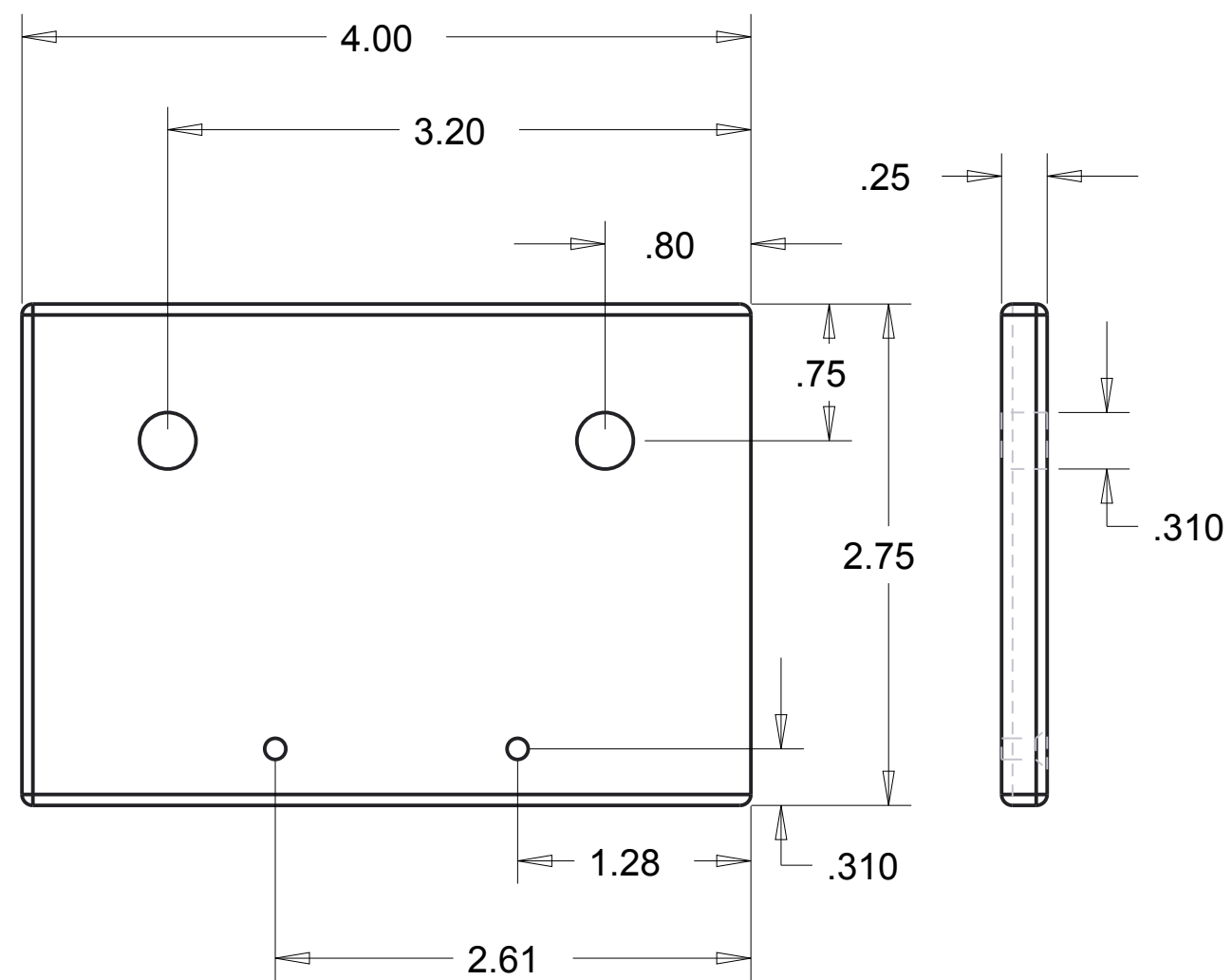
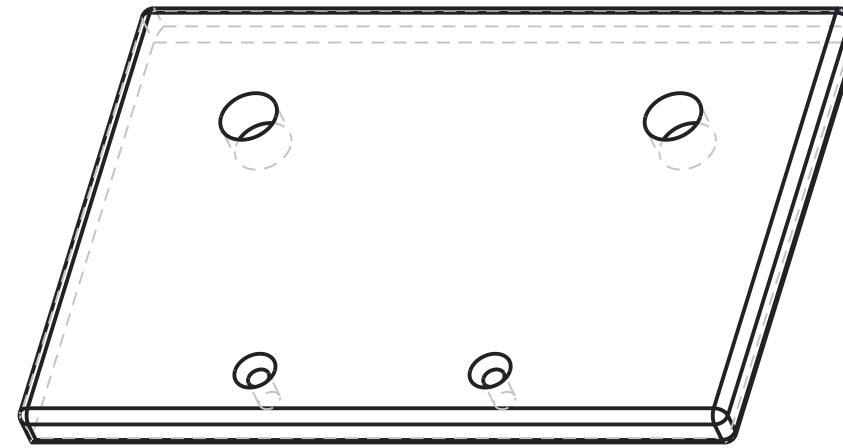


Revision	Changes made	Change By:	Date:
A	INITIAL RELEASE	KMJ	12/7



P14418			
TITLE			
Track Bracket			
SIZE	DRAWN	DWG NO	REV
C	KMJ	003	A
MATERIAL: PLYWOOD		DATE: 12/3	SCALE: 1
		UNIT WT: [.2]	SHEET 1 OF 1

UNLESS OTHERWISE SPECIFIED DIMENSIONS ARE IN INCHES (IN)

TOLERANCES:
.1 ± .1
.12 ± .01
.123 ± .005
.1234 ± .0050