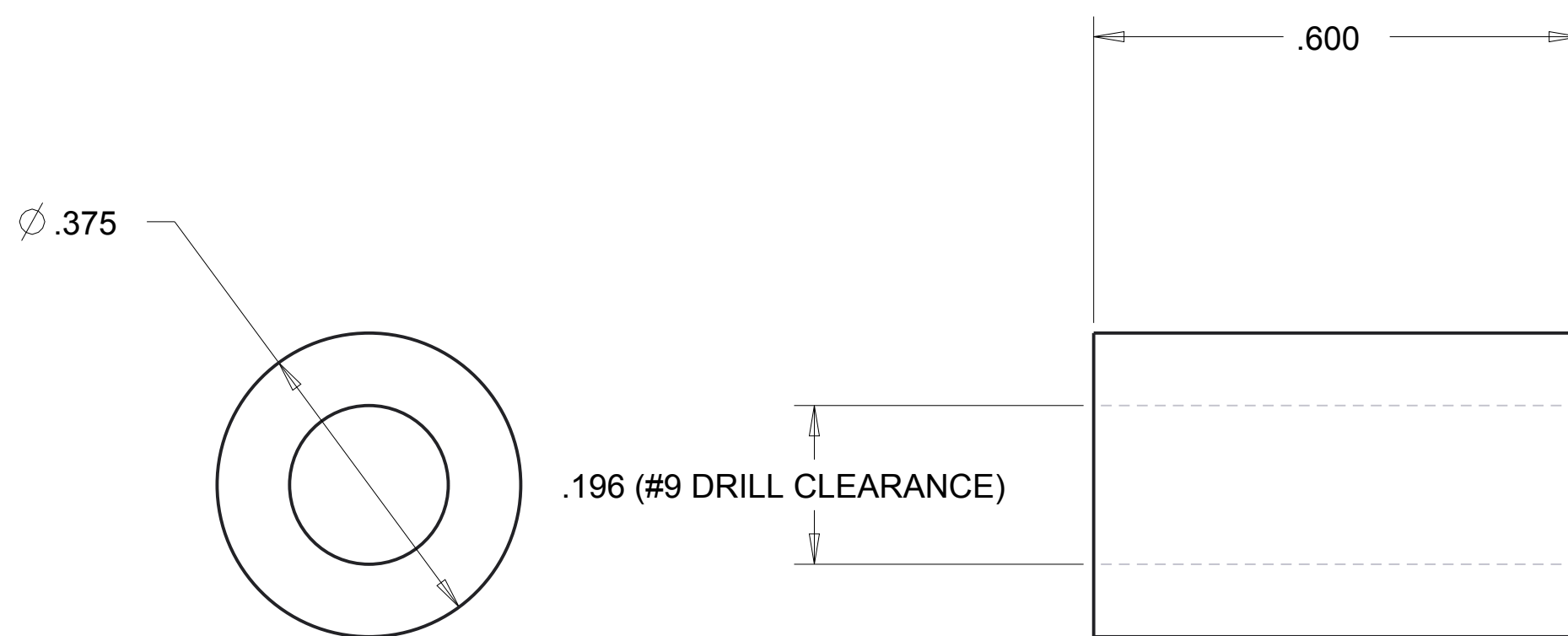


Revision	Changes made	Change By:	Date:
A	INITIAL RELEASE	KMJ	3/6



P14418			
TITLE			
Standoff			
SIZE	DRAWN	DWG NO	REV
C	KMJ	015	A
MATERIAL: STEEL		DATE: 3/6	SCALE: .25
		UNIT WT: [.2]	SHEET 1 OF 1

UNLESS OTHERWISE SPECIFIED DIMENSIONS ARE IN INCHES (IN)	TOLERANCES: $.1 \pm .1$ $.12 \pm .01$ $.123 \pm .005$ $.1234 \pm .0050$