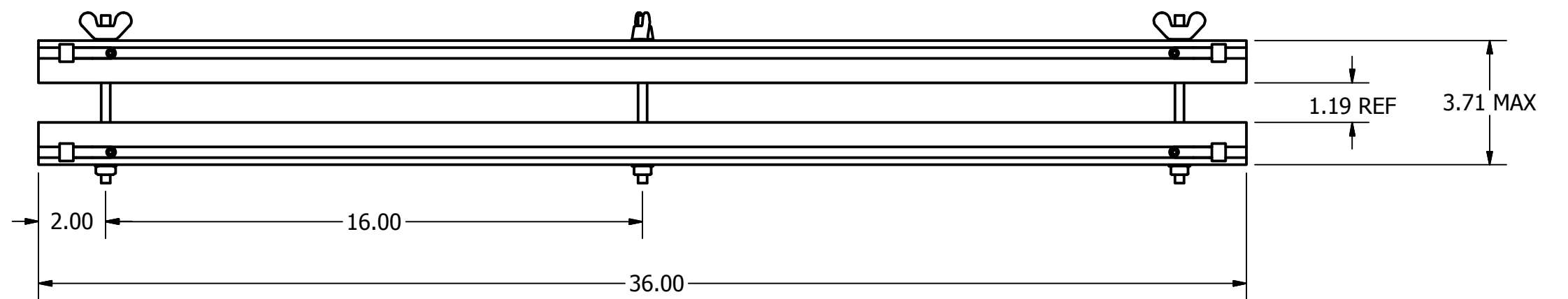
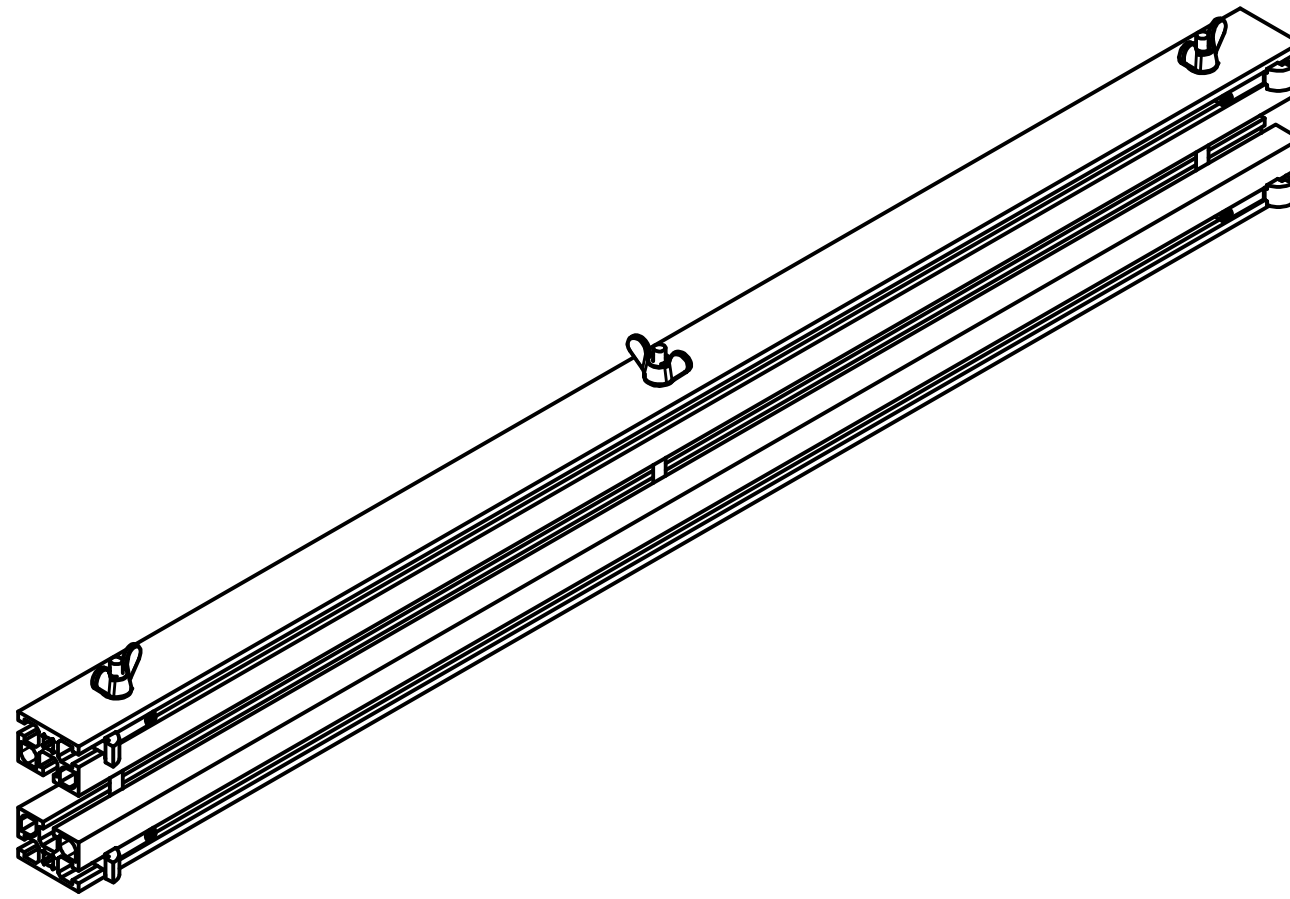


Front View
SCALE 1 : 1



Right View
SCALE 1 / 4

DRAWN Jacky	11/13/2013	TITLE Clamp Mechanism		
CHECKED				
QA				
MFG				
APPROVED		SIZE C	DWG NO ClampMechanismAssmebly	REV A
QTY 2		SCALE	SHEET 1 OF 1	