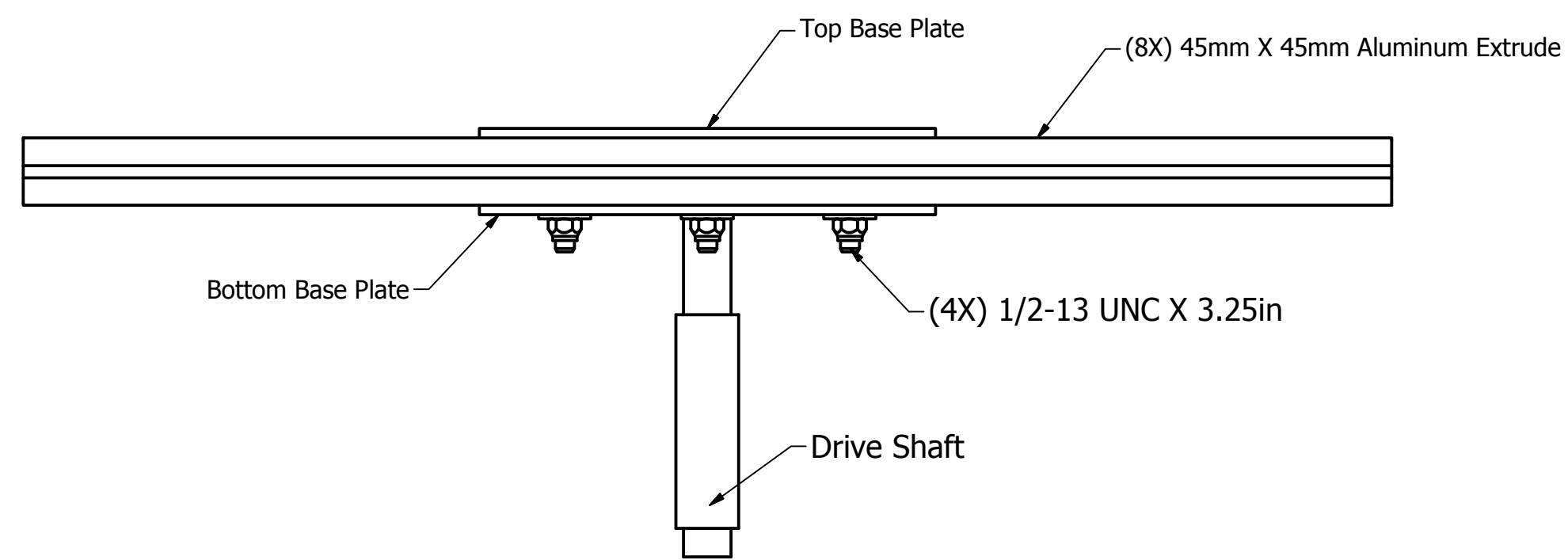
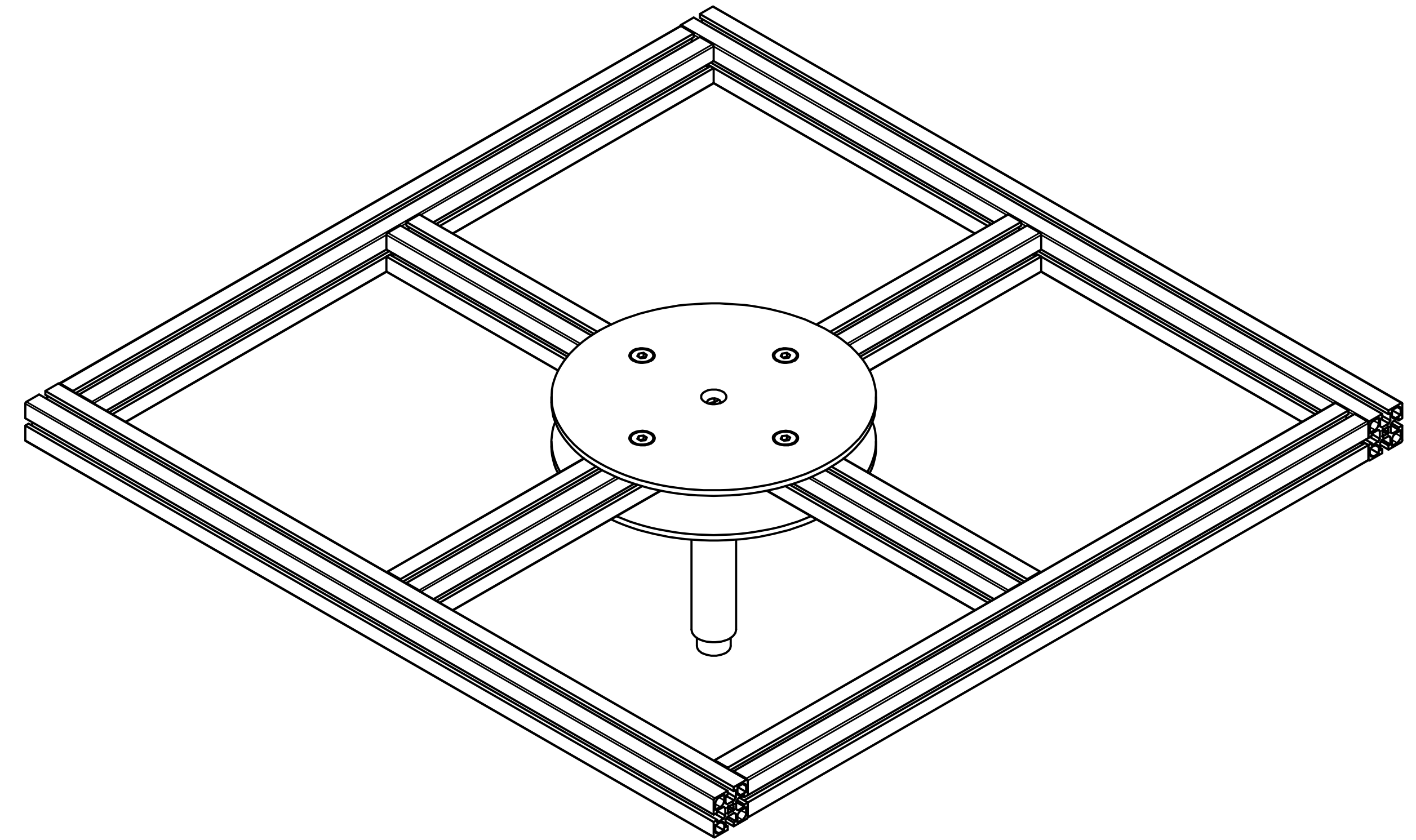


Top View
SCALE 1 / 4



Front View
SCALE 1 / 4

DRAWN Jacky	11/13/2013	TITLE		
CHECKED		Top Assembly		
QA				
MFG				
APPROVED				
QTY	2	SIZE D	DWG NO F Frame Assembly	REV A
SCALE		SHEET 1 OF 1		