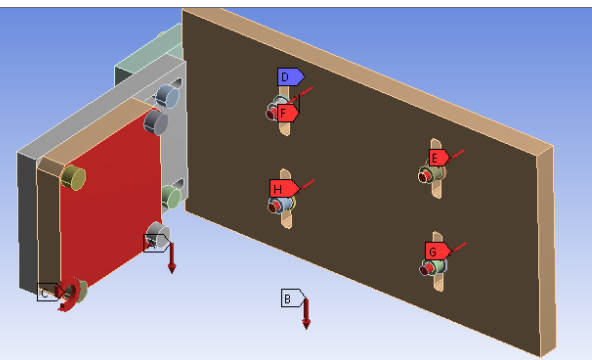


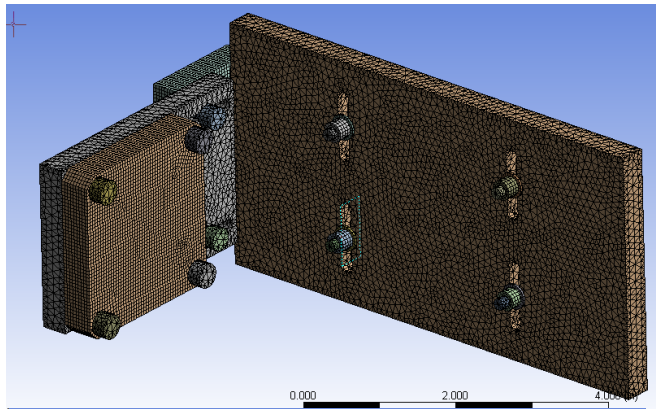
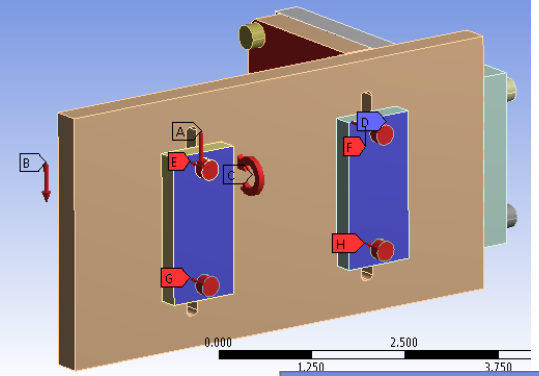
B: Static Structural
 Static Structural
 Time: 1 s
 12/10/2013 1:26 AM

- A** Remote Force: 2.6 lbf
- B** Remote Force 2: 1.54 lbf
- C** Moment: 32.8 lbf/in
- D** Fixed Support
- E** Bolt Pretension: 600. lbf
- F** Bolt Pretension 2: 600. lbf
- G** Bolt Pretension 3: 600. lbf
- H** Bolt Pretension 4: 600. lbf



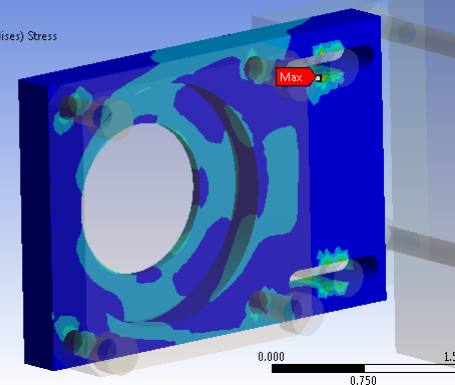
B: Static Structural
 Static Structural
 Time: 1 s
 12/10/2013 1:26 AM

- A** Remote Force: 2.6 lbf
- B** Remote Force 2: 1.54 lbf
- C** Moment: 32.8 lbf/in
- D** Fixed Support
- E** Bolt Pretension: 600. lbf
- F** Bolt Pretension 2: 600. lbf
- G** Bolt Pretension 3: 600. lbf
- H** Bolt Pretension 4: 600. lbf



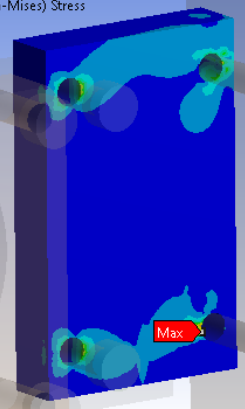
B: Static Structural
 Equivalent Stress 2
 Type: Equivalent (von-Mises) Stress
 Unit: psi
 Time: 1
 12/10/2013 1:28 AM

1395.9 Max
 1240.9
 1085.9
 930.93
 775.93
 620.93
 465.94
 310.94
 155.94
 0.94432 Min



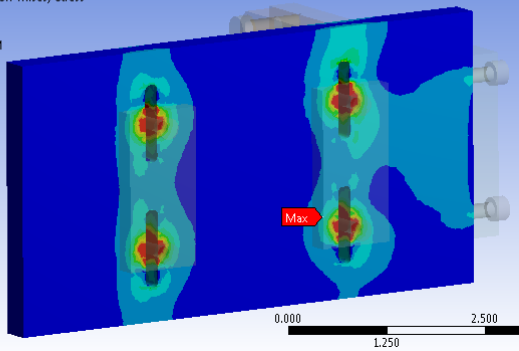
B: Static Structural
 Equivalent Stress 3
 Type: Equivalent (von-Mises) Stress
 Unit: psi
 Time: 1
 12/10/2013 1:30 AM

3481 Max
 3094.4
 2707.9
 2321.3
 1934.7
 1548.1
 1161.6
 774.99
 388.42
 1.8423 Min



B: Static Structural
 Equivalent Stress 4
 Type: Equivalent (von-Mises) Stress
 Unit: psi
 Time: 1
 12/10/2013 1:32 AM

19530 Max
 3500
 3062.5
 2625
 2187.5
 1750
 1312.5
 875.04
 437.55
 0.057821 Min



B: Static Structural
 Equivalent Stress 5
 Type: Equivalent (von-Mises) Stress
 Unit: psi
 Time: 1
 12/10/2013 1:34 AM

19530 Max
 2540
 2082.5
 1625
 1187.5
 750
 312.5
 437.55
 0.057821 Min

