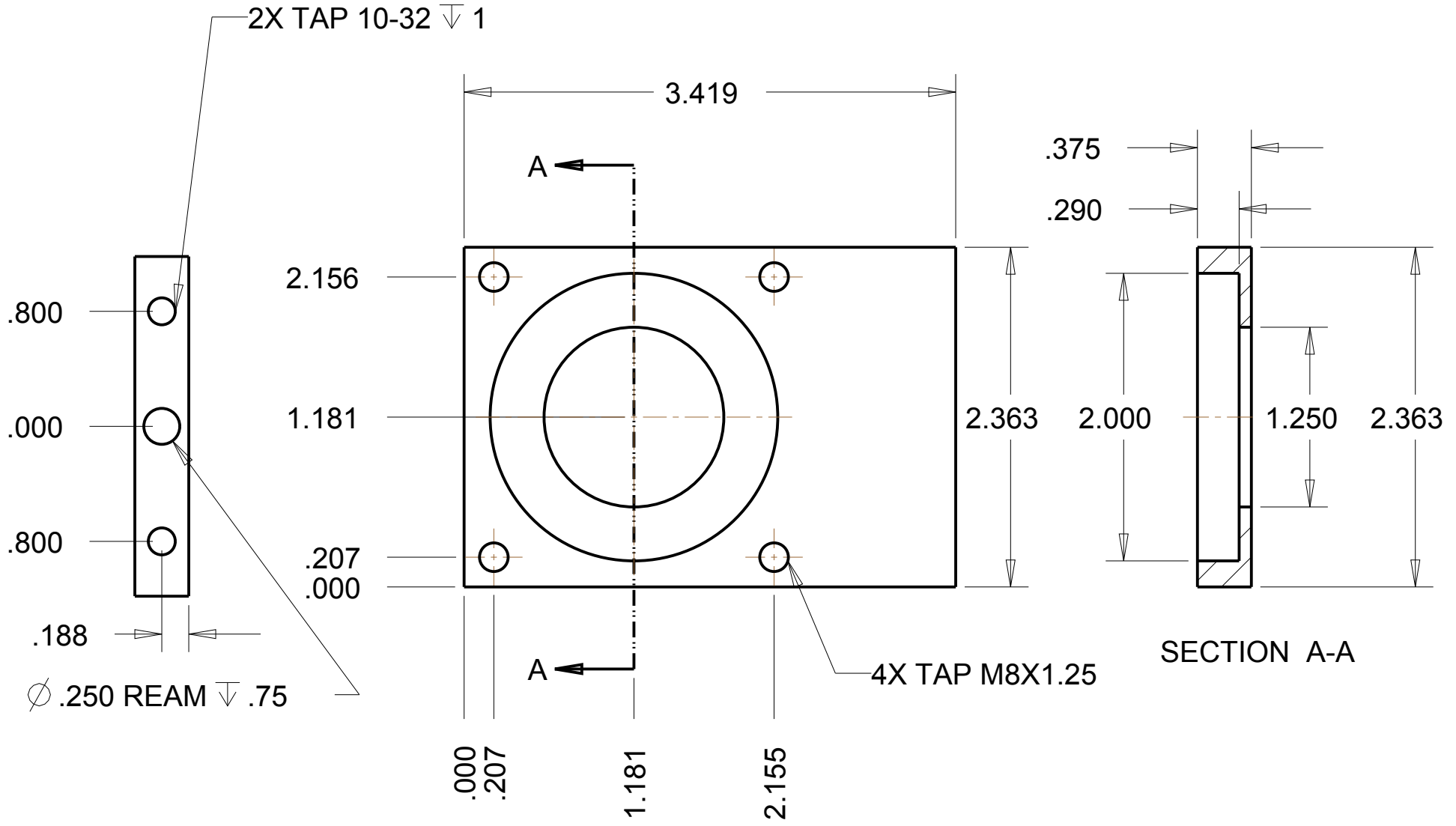


REVISION		
REV	DESCRIPTION	ENGR
01	INITIAL RELEASE	Kyle Abbott



BREAK ALL SHARP EDGES
 UNLESS OTHERWISE NOTED
 ALL DIMENSIONS ARE IN INCH; TOLERANCES ARE:
 X.X \pm .1
 X.XX \pm .01
 X.XXX \pm .005
 X.XXXX \pm .0010
 ANG \pm .1

RIT MSD P14474	
Motor Mount Face Plate	
ENGR: Kyle Abbott	MAT'L: 6061
SIZE: A	QTY: 1
SCALE: 1.000	DATE: Dec-09-13
SHEET 1 OF 1	P/N: P14474_101