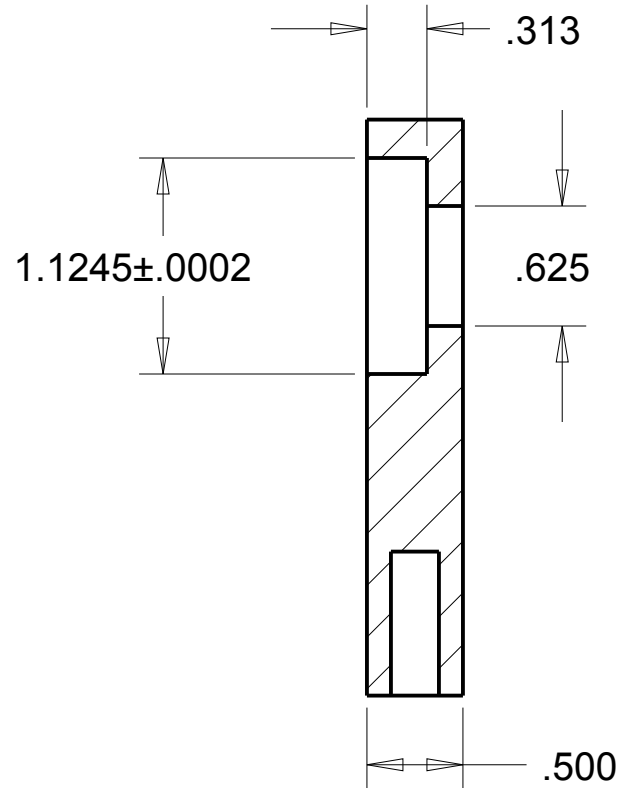
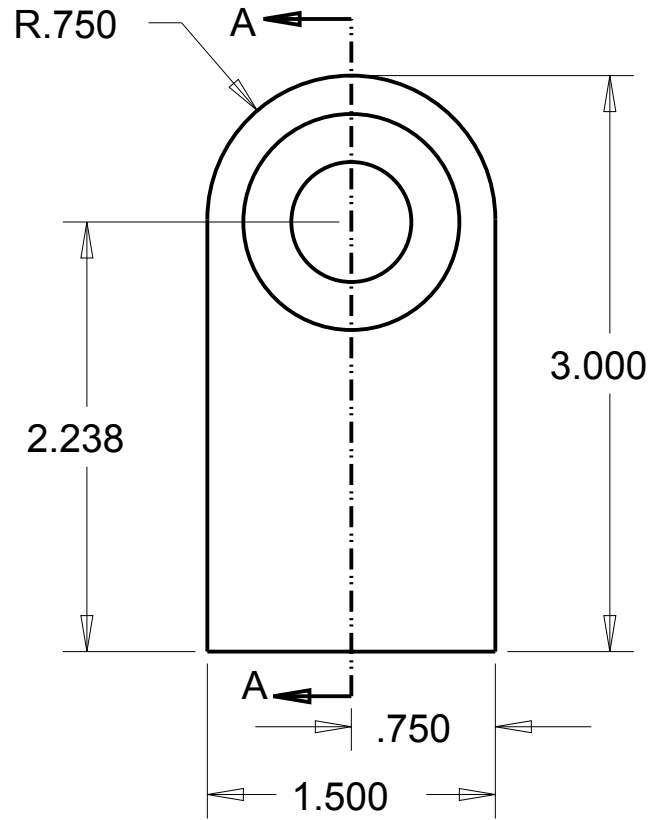
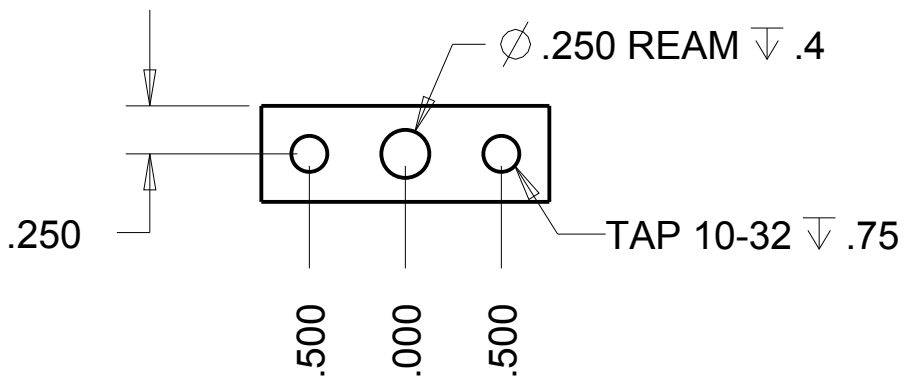


REVISION		
REV	DESCRIPTION	ENGR
01	INITIAL RELEASE	Kyle Abbott



SECTION A-A



BREAK ALL SHARP EDGES
 UNLESS OTHERWISE NOTED
 ALL DIMENSIONS ARE IN INCH; TOLERANCES ARE:
 X.X ± .1
 X.XX ± .01
 X.XXX ± .005
 X.XXXX ± .0010
 ANG ± .1

RIT MSD P14474	
Bearing Pillow Block	
ENGR: Kyle Abbott	MAT'L: 6061
SIZE: A	QTY: 2
SCALE: 1.000	DATE: Apr-10-14
SHEET 1 OF 1	P/N: P14474_125