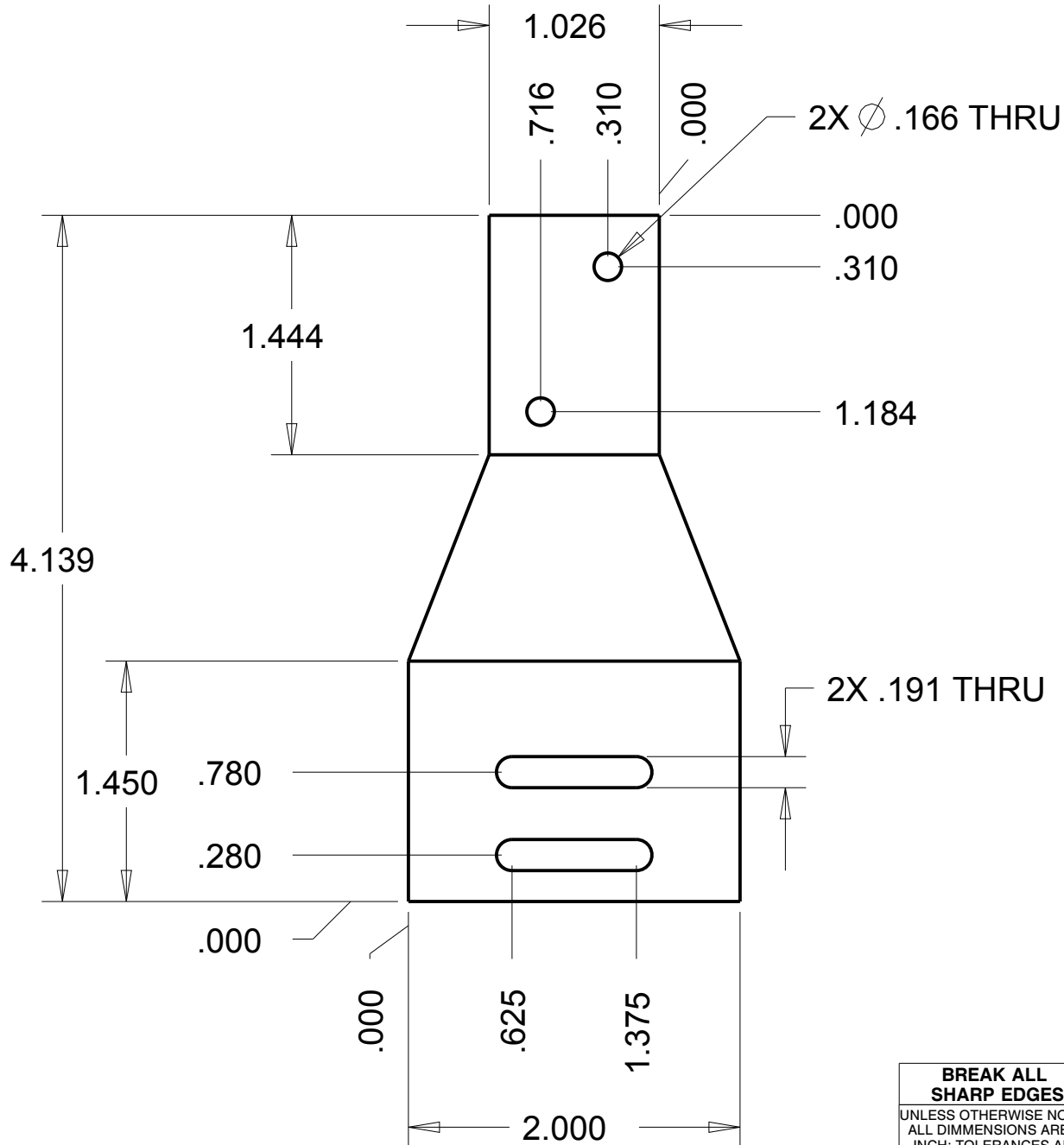


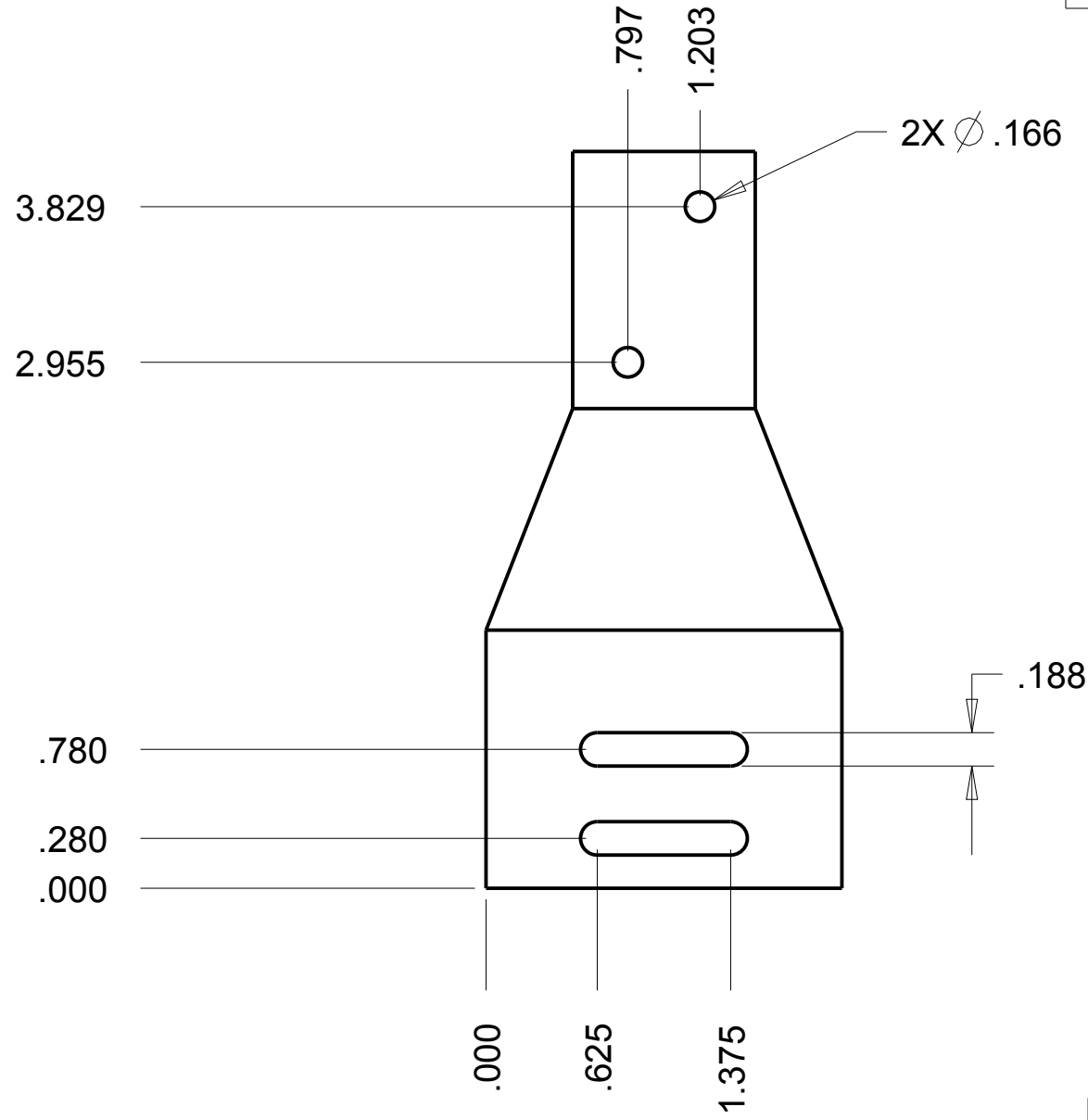
REVISION		
REV	DESCRIPTION	ENGR
01	INITIAL RELEASE	Kyle Abbott



RIT MSD P14474	
Switch Mount	
ENGR: Kyle Abbott	MAT'L: Aluminum
SIZE: A	QTY: 1
SCALE: 1.000	DATE: Apr-10-14
SHEET 1 OF 2	P/N: P14474_129

BREAK ALL SHARP EDGES
 UNLESS OTHERWISE NOTED
 ALL DIMENSIONS ARE IN INCH; TOLERANCES ARE:
 X.X ± .1
 X.XX ± .01
 X.XXX ± .005
 X.XXXX ± .0010
 ANG ± .1

REVISION		
REV	DESCRIPTION	ENGR
01	INITIAL RELEASE	



RIT MSD P14474

BREAK ALL SHARP EDGES

UNLESS OTHERWISE NOTED
 ALL DIMMENSIONS ARE IN
 INCH; TOLERANCES ARE:
 X.X $\pm .1$
 X.XX $\pm .01$
 X.XXX $\pm .005$
 X.XXXX $\pm .0010$
 ANG $\pm .1$

ENGR:	MAT'L:
SIZE: A	QTY:
SCALE: 1.000	DATE: Apr-28-14
SHEET 2 OF 2	P/N: P14474_129