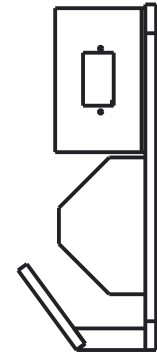
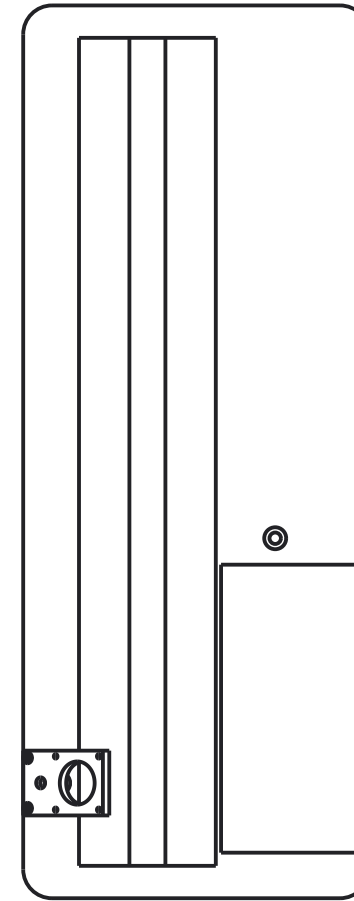
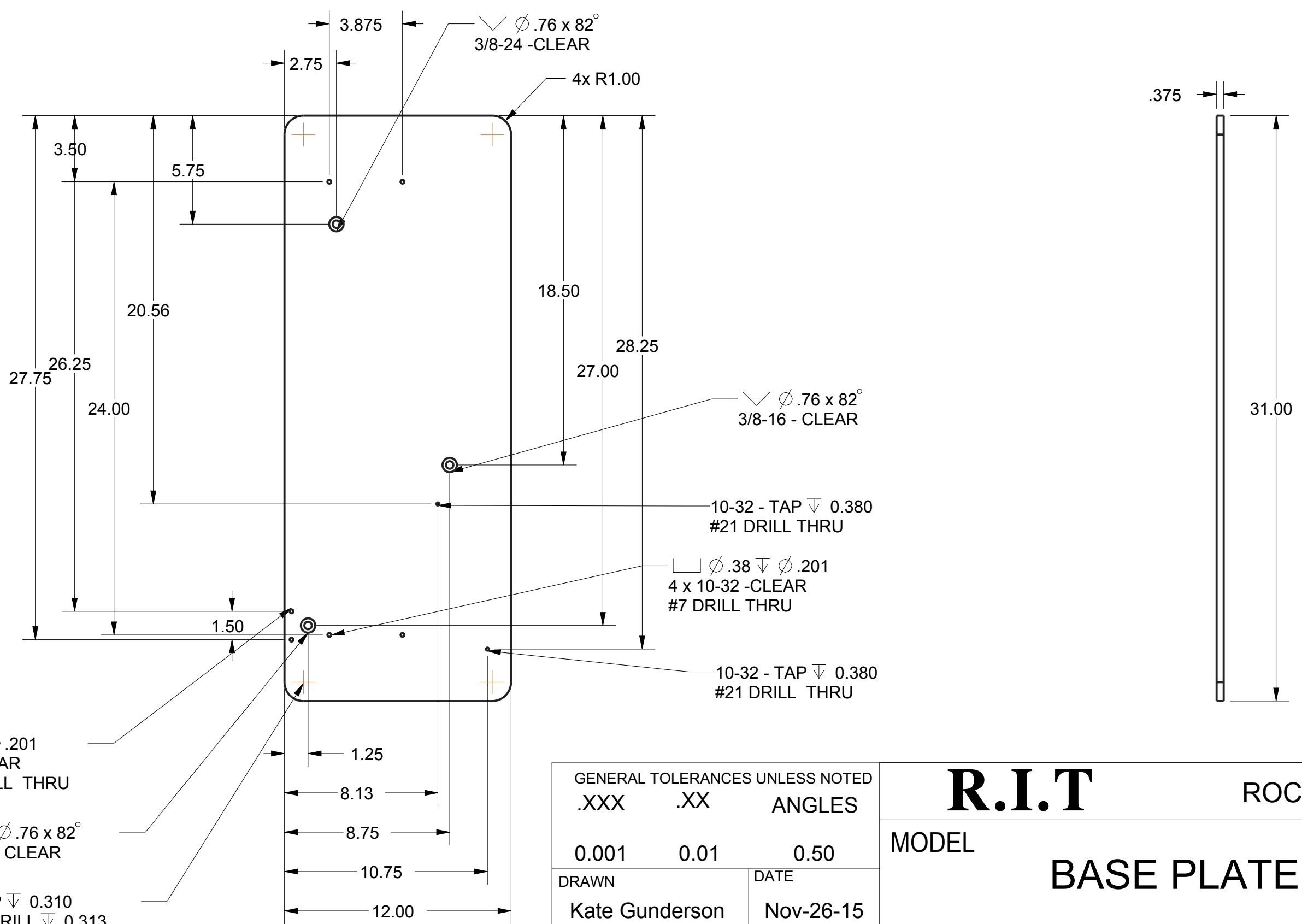


SCALE 0.200



1. Break all sharp edges

GENERAL TOLERANCES UNLESS NOTED .XXX .XX ANGLES			R.I.T ROCHESTER, NY		
0.001 0.01 0.50					
DRAWN Kate Gunderson		DATE Nov-09-15	MODEL SLOTTED LINE ASSEMBLY		
CHECKED		DATE			
APPROVED		DATE	SIZE B	DRAWING NAME MEASUREMENT_SYSTEM_DRAWING	
			SCALE 0.150	MATERIAL -	SHEET 1/6



$\square \phi .38 \nabla \phi .201$
 2 x 10-32 - CLEAR
 #7 DRILL THRU

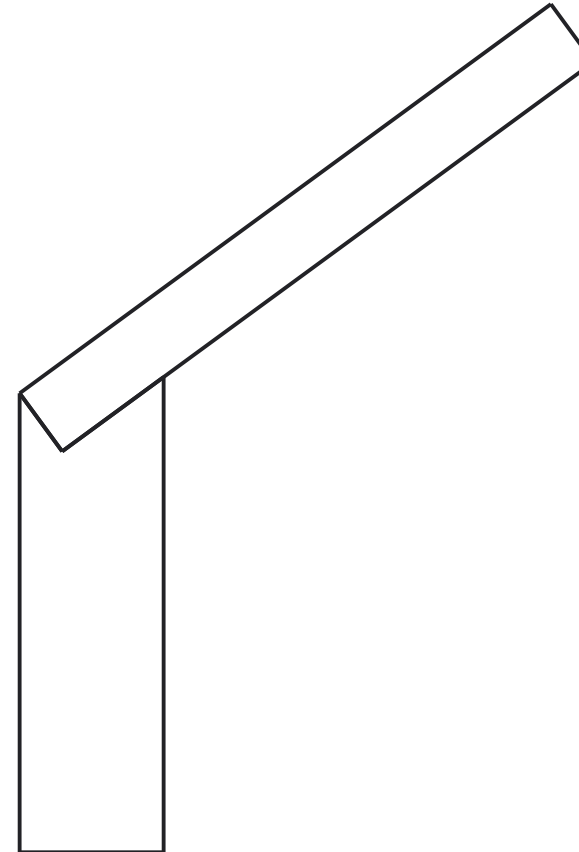
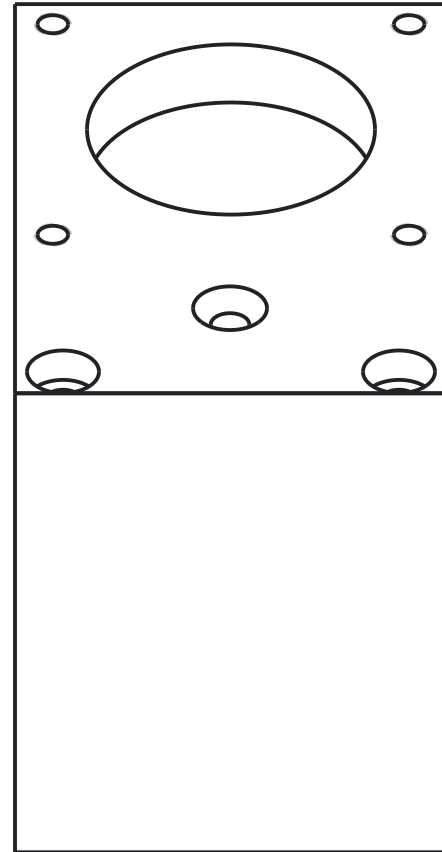
 $\sphericalangle \phi .76 \times 82^\circ$
 3/8-16 - CLEAR

 4 x 8-32 - TAP ∇ 0.310
 #29 DRILL ∇ 0.313

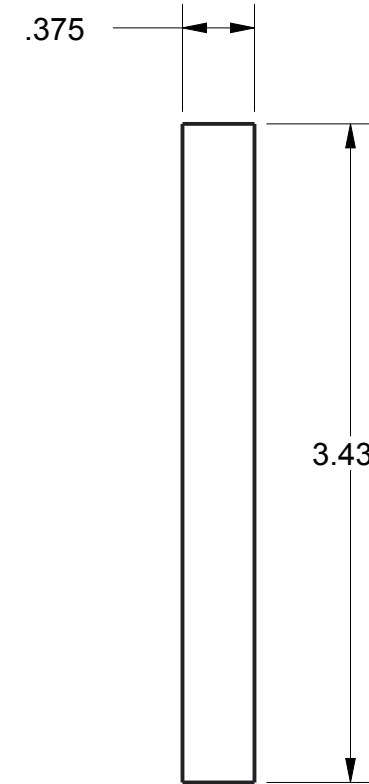
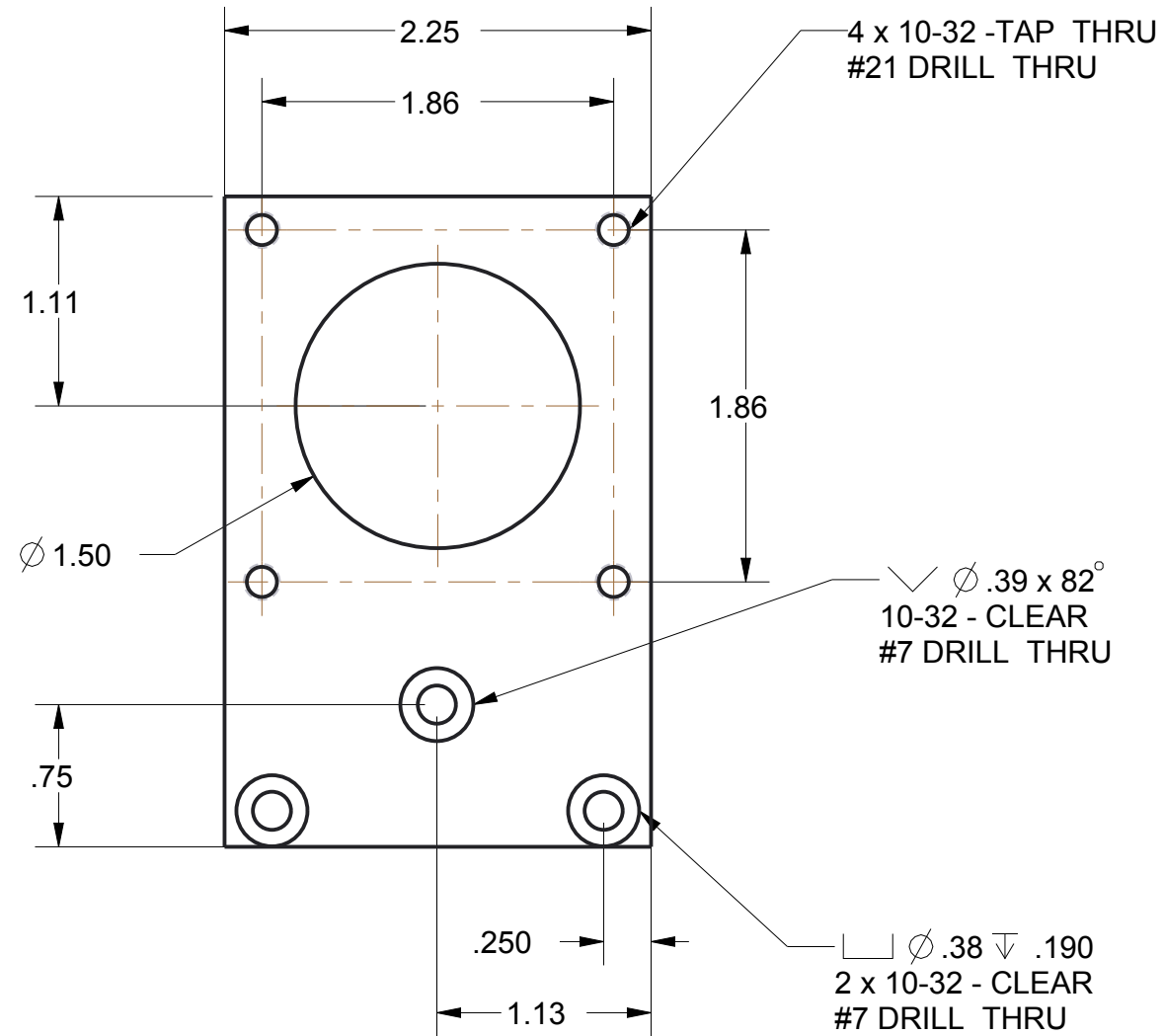
SCALE 0.180

GENERAL TOLERANCES UNLESS NOTED	
.XXX	.XX ANGLES
0.001	0.01 0.50
DRAWN	DATE
Kate Gunderson	Nov-26-15
CHECKED	DATE
APPROVED	DATE

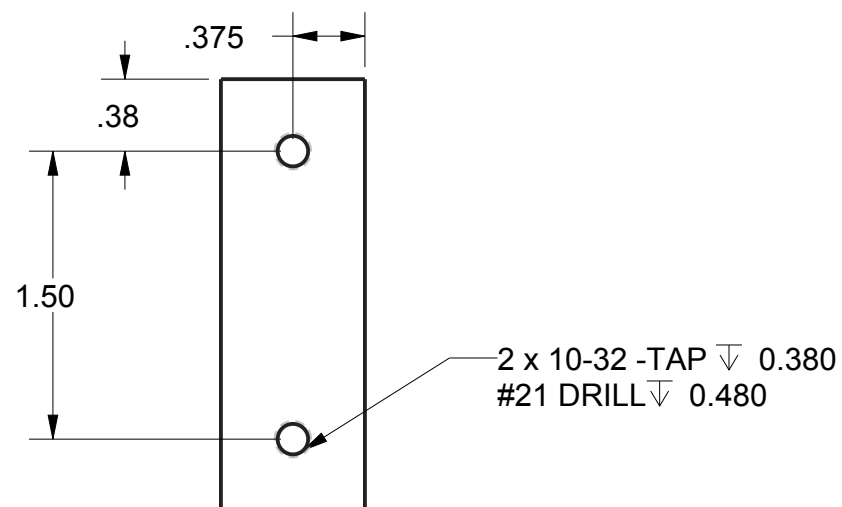
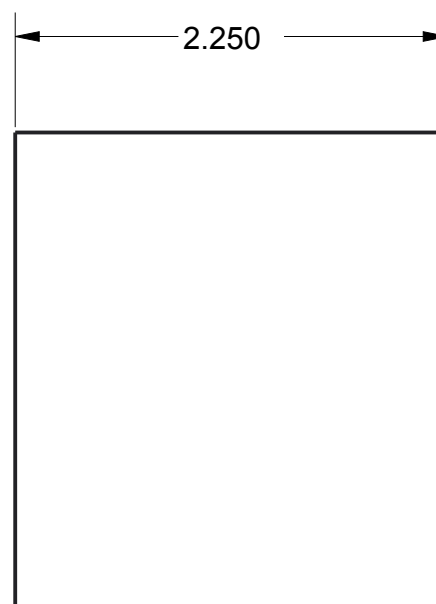
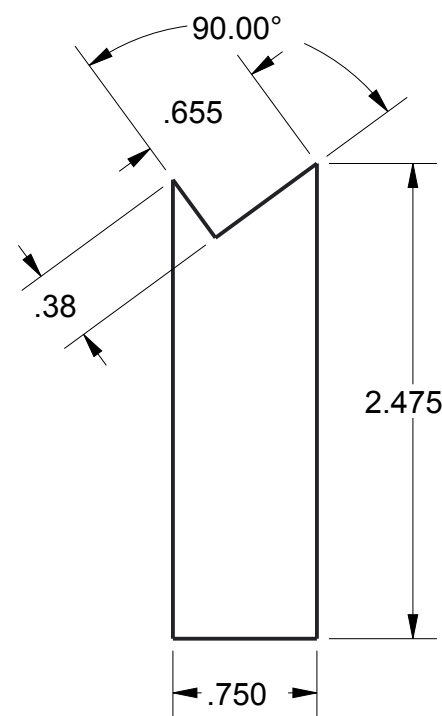
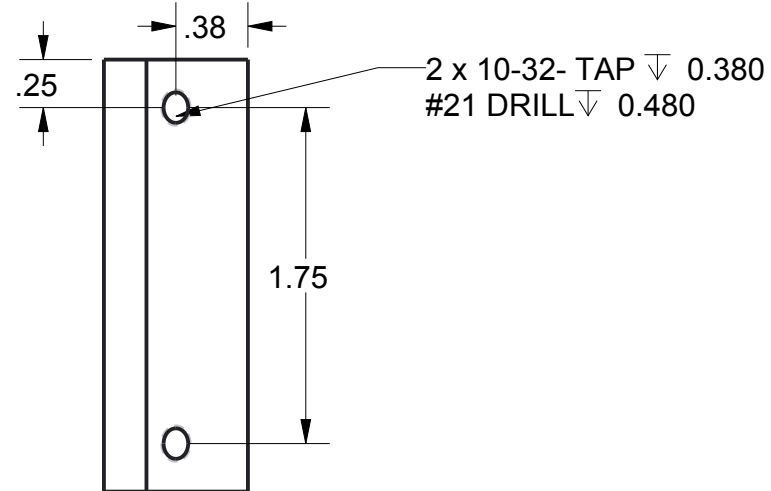
R.I.T		ROCHESTER, NY	
MODEL		BASE PLATE	
SIZE	DRAWING NAME		
B	MEASUREMENT_SYSTEM_DRAWING		
SCALE	MATERIAL	SHEET	
0.071	Aluminum	2/6	



GENERAL TOLERANCES UNLESS NOTED .XXX .XX ANGLES			R.I.T ROCHESTER, NY		
0.001 0.01 0.50					
DRAWN Kate Gunderson		DATE Nov-20-15	MODEL MOTOR MOUNT ASSEMBLY		
CHECKED		DATE			
APPROVED		DATE	SIZE B	DRAWING NAME MEASUREMENT_SYSTEM_DRAWING	
SCALE	1.000	MATERIAL		Aluminum	SHEET 3/6



GENERAL TOLERANCES UNLESS NOTED .XXX .XX ANGLES			R.I.T ROCHESTER, NY		
0.001 0.01 0.50					
DRAWN Kate Gunderson		DATE Nov-26-15	MODEL MOTOR MOUNT TOP		
CHECKED		DATE			
APPROVED		DATE	SIZE B	DRAWING NAME MEASUREMENT_SYSTEM_DRAWING	
			SCALE 1.000	MATERIAL Aluminum	SHEET 4/6



GENERAL TOLERANCES UNLESS NOTED		
.XXX	.XX	ANGLES
0.001	0.01	0.50
DRAWN	DATE	
Kate Gunderson	Nov-26-15	
CHECKED	DATE	
APPROVED	DATE	

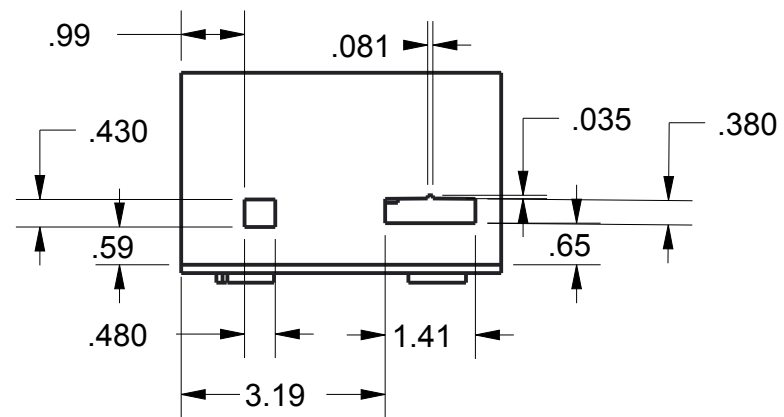
R.I.T

ROCHESTER, NY

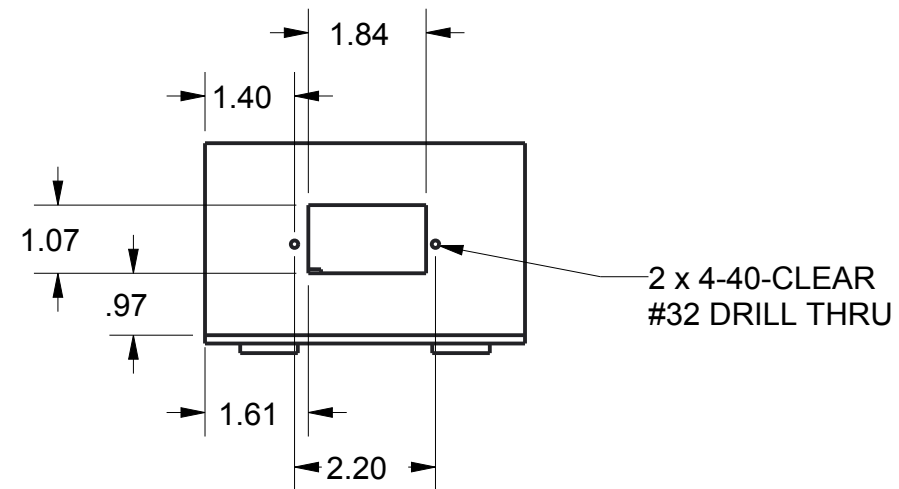
MODEL
MOTOR MOUNT BASE

SIZE **B** DRAWING NAME
MEASUREMENT_SYSTEM_DRAWING

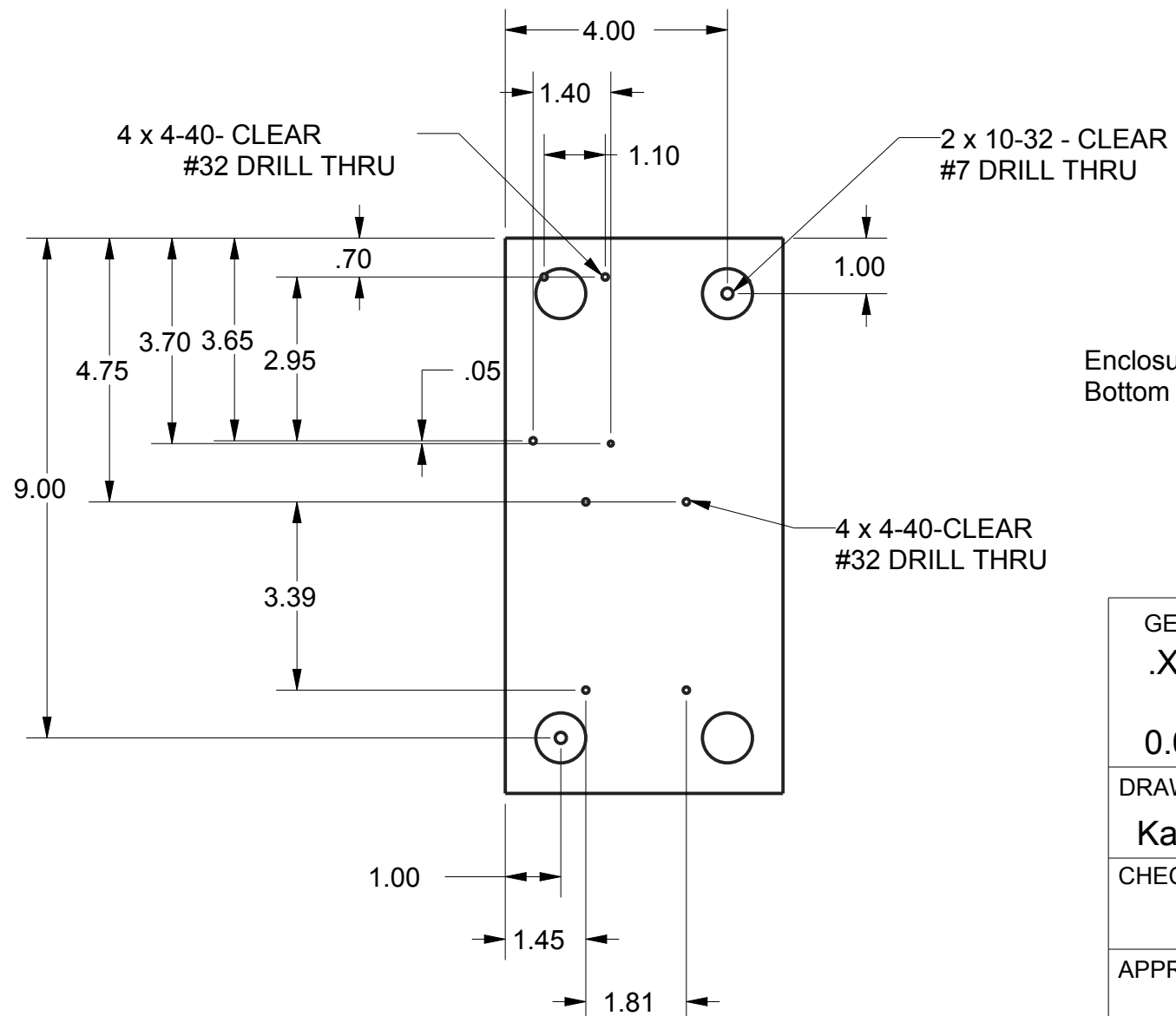
SCALE **0.333** MATERIAL **Aluminum** SHEET **5/6**



Left Side View of Box



Right Side View of Box



Enclosure Cover,
Bottom of Box

GENERAL TOLERANCES UNLESS NOTED .XXX .XX ANGLES			R.I.T ROCHESTER, NY		
0.001 0.01 0.50					
DRAWN Kate Gunderson		DATE Dec-11-15	MODEL ENCLOSURE		
CHECKED		DATE			
APPROVED		DATE	SIZE B	DRAWING NAME MEASUREMENT_SYSTEM_DRAWING	
			SCALE 0.333	MATERIAL Aluminum	SHEET 6/6