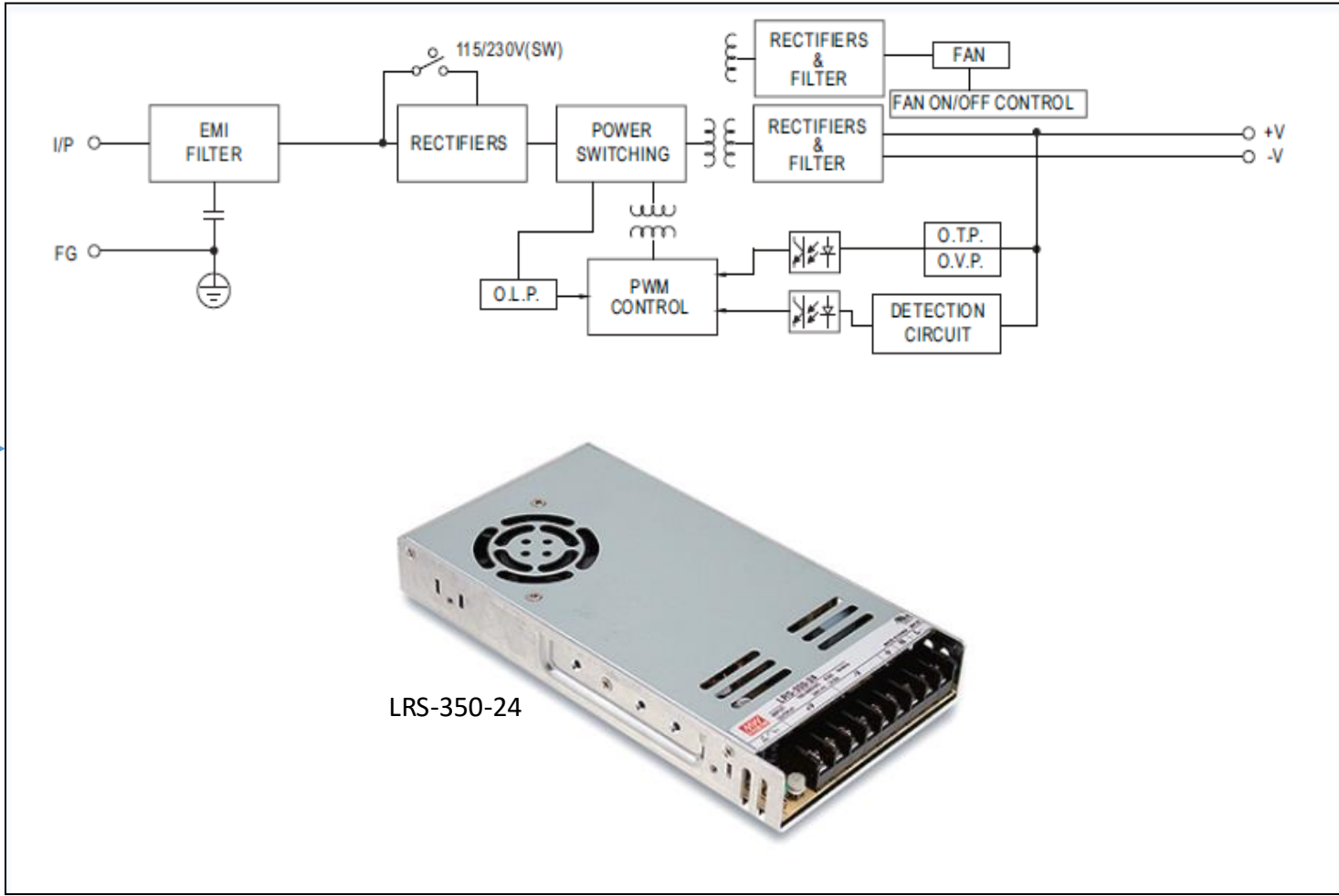
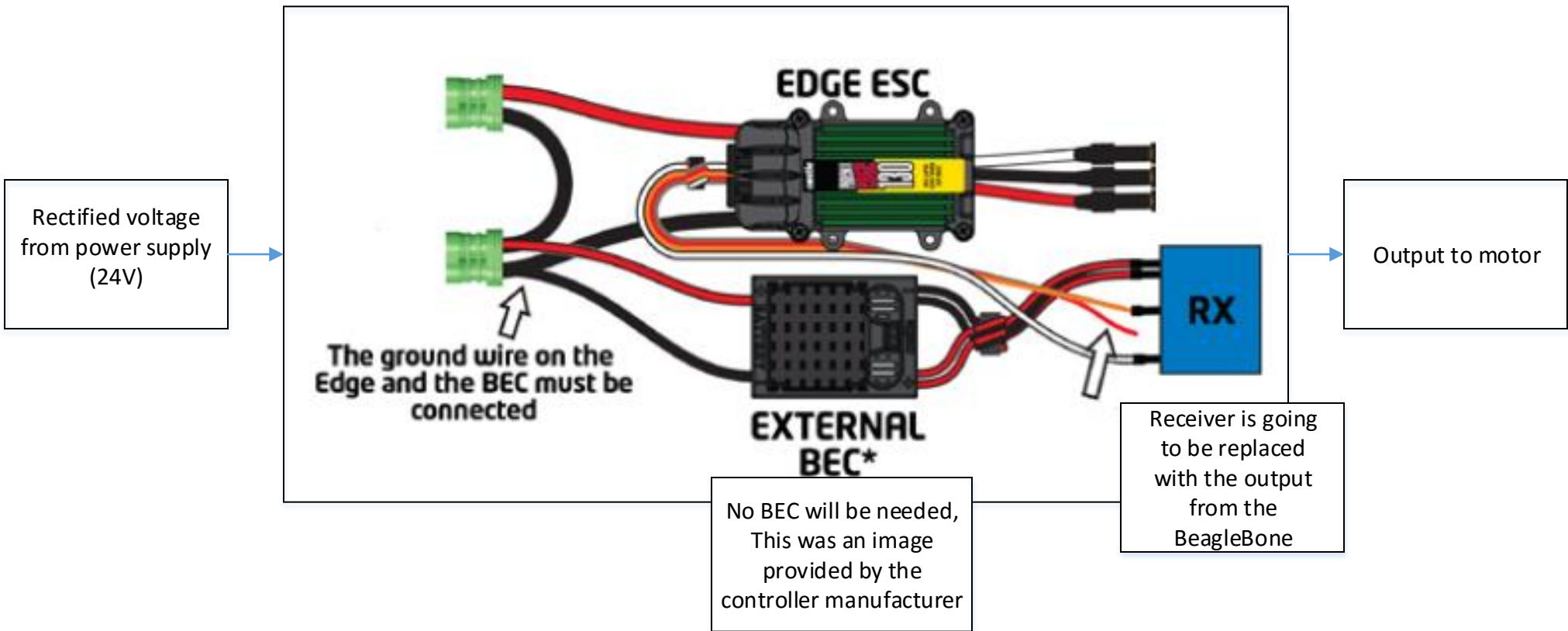


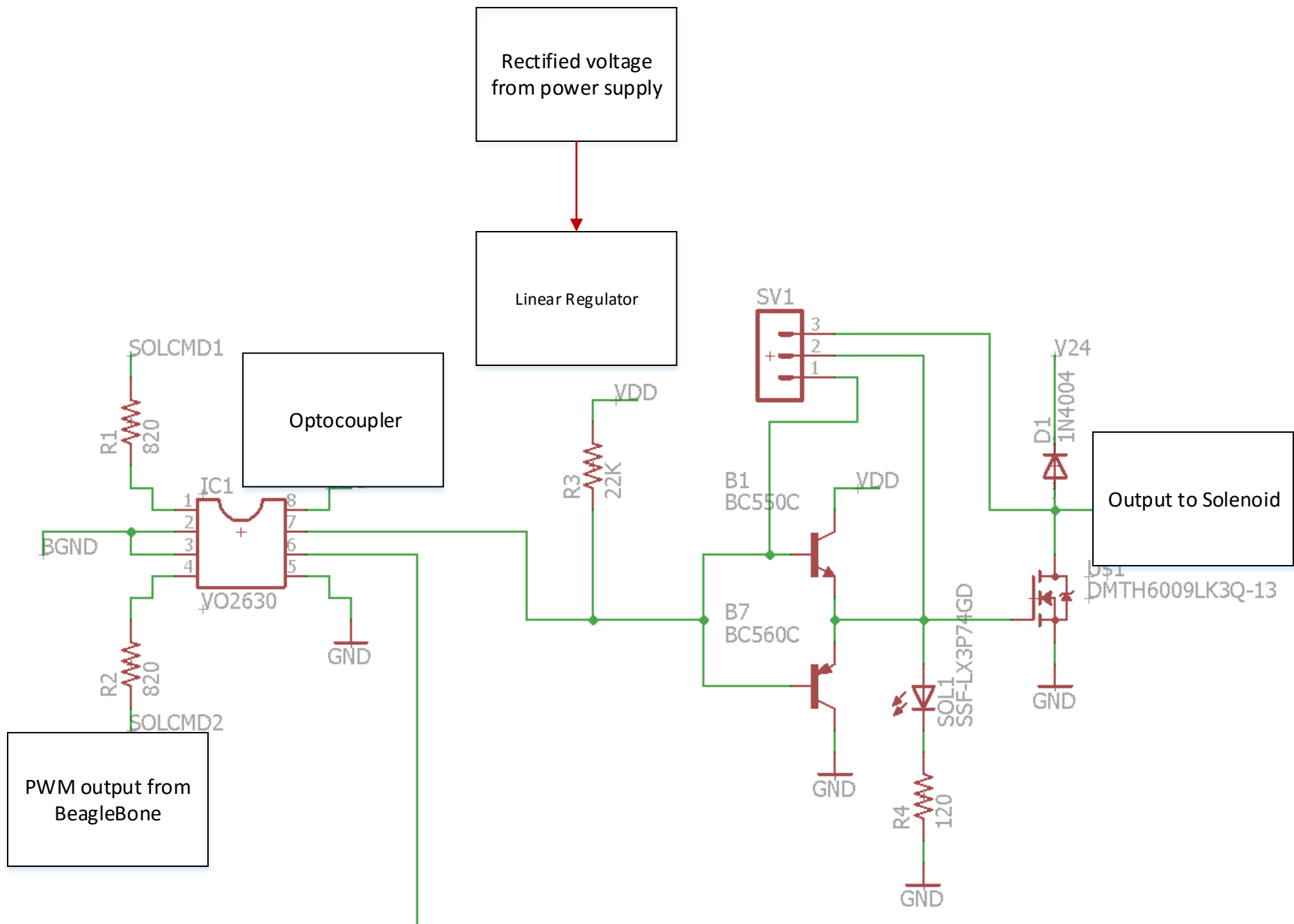
Input:
120V, 15A

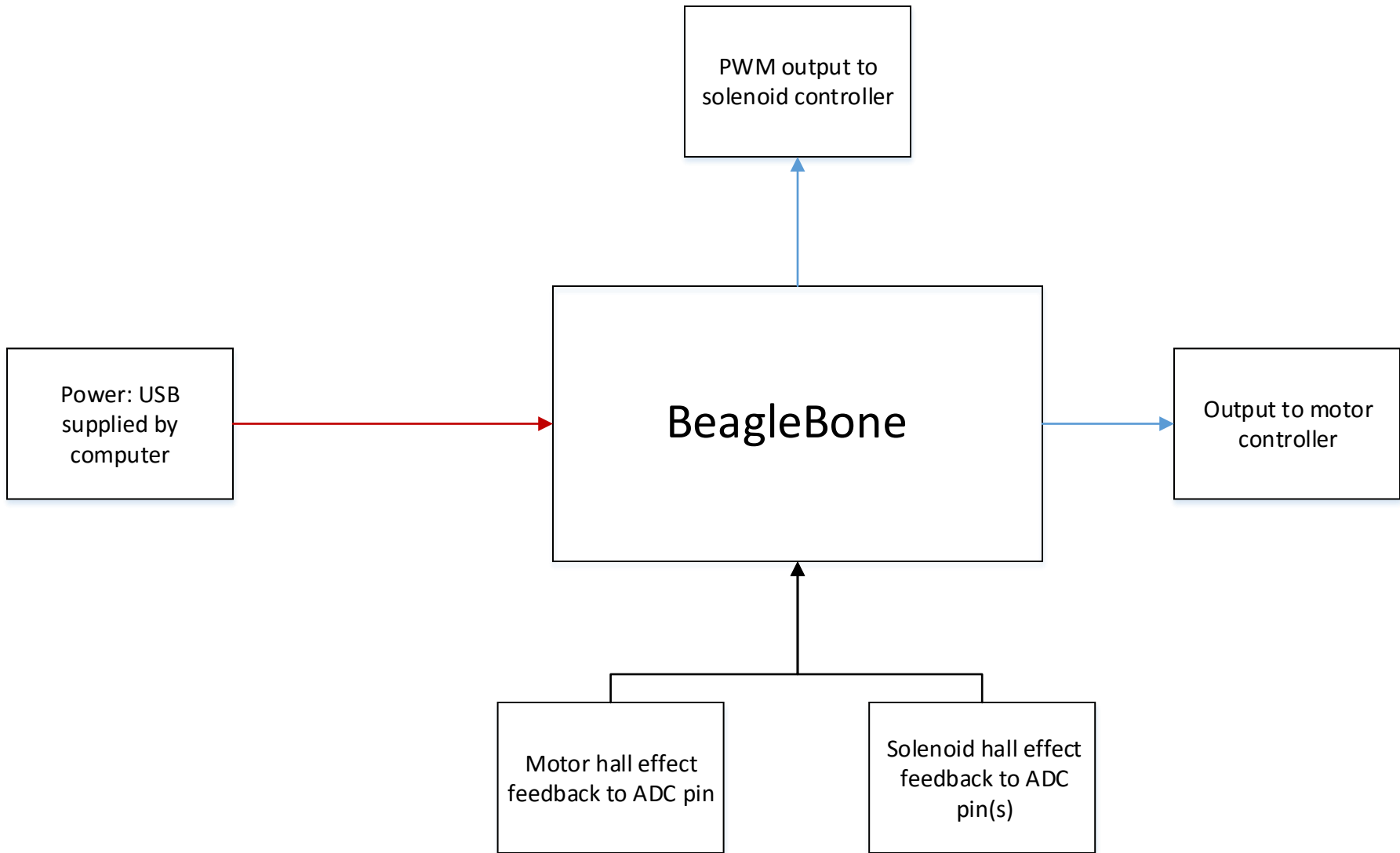


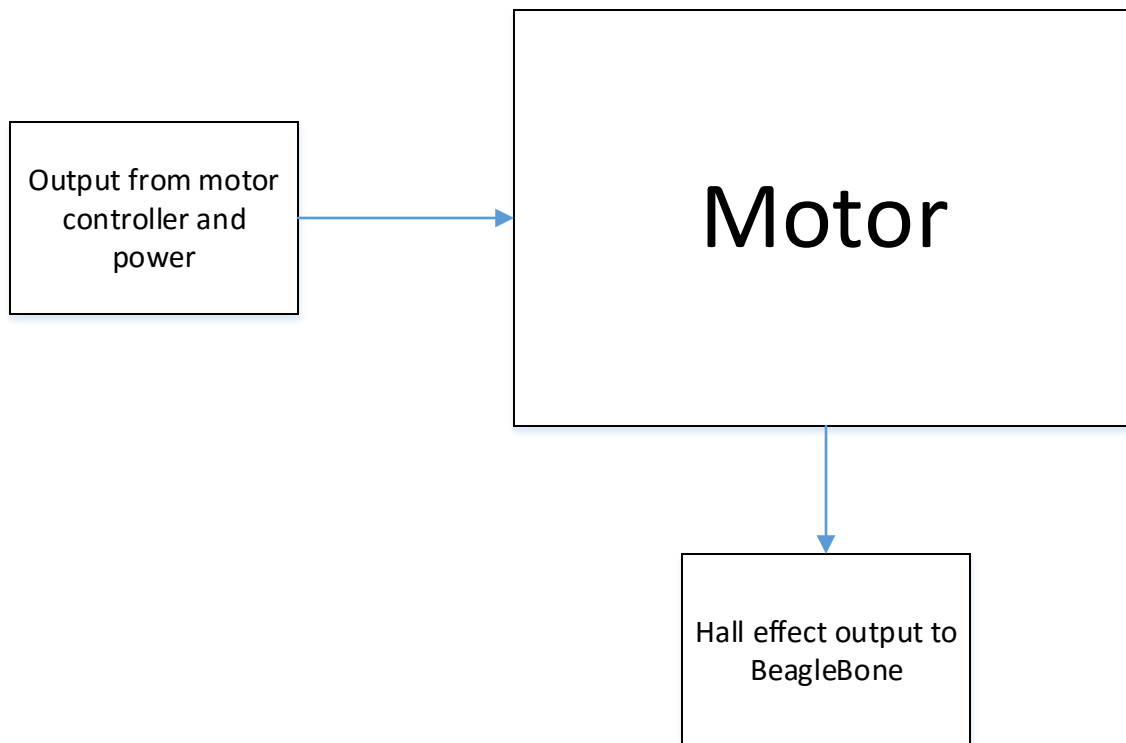
Output: 24V,
14.6A



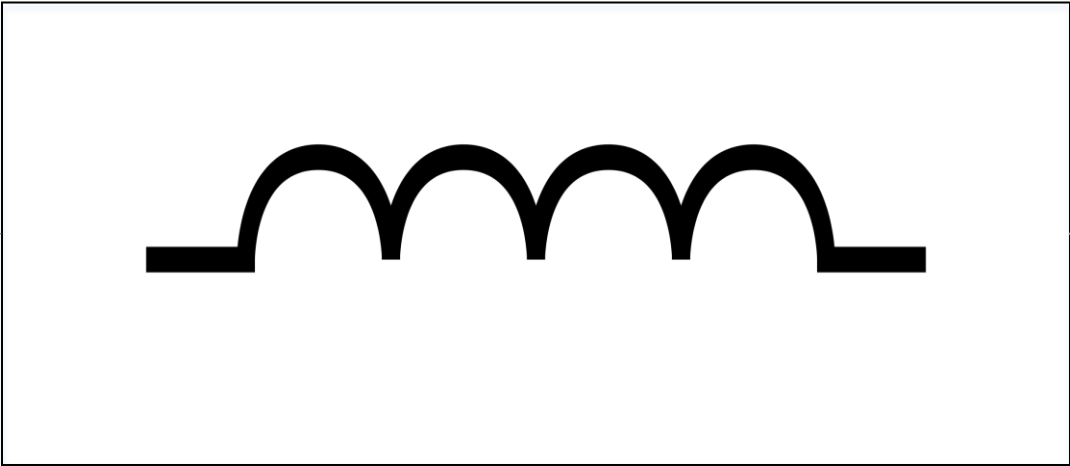








Output from
solenoid controller



Leads to output
from Hall effect
sensors