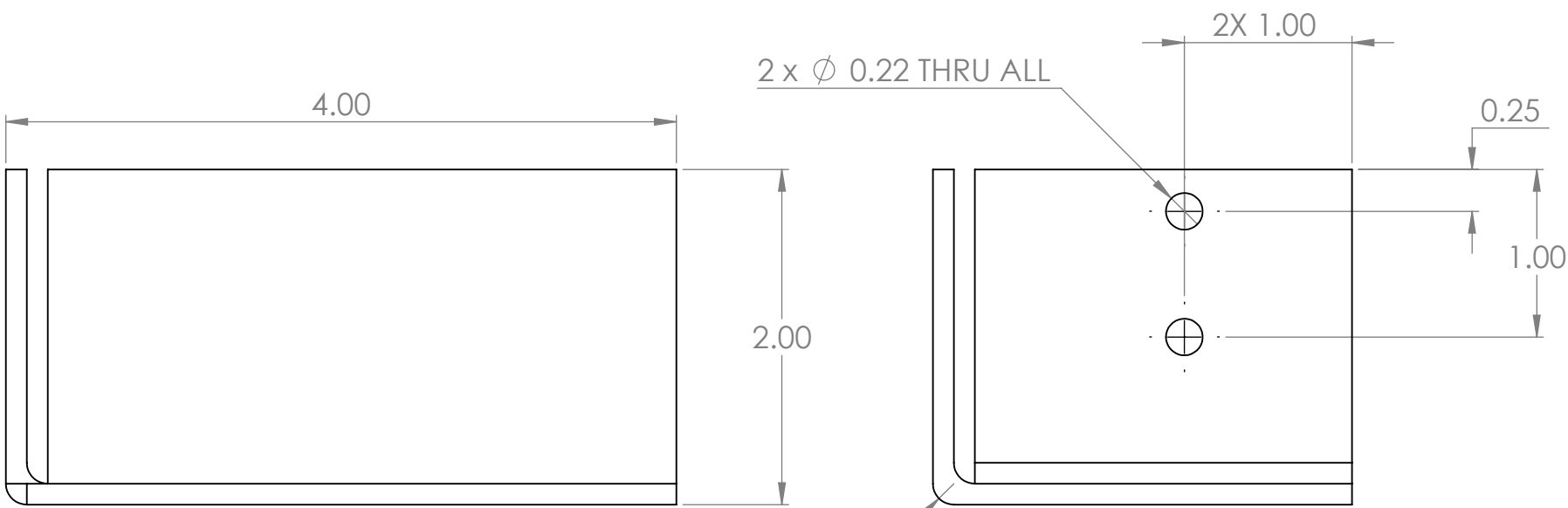
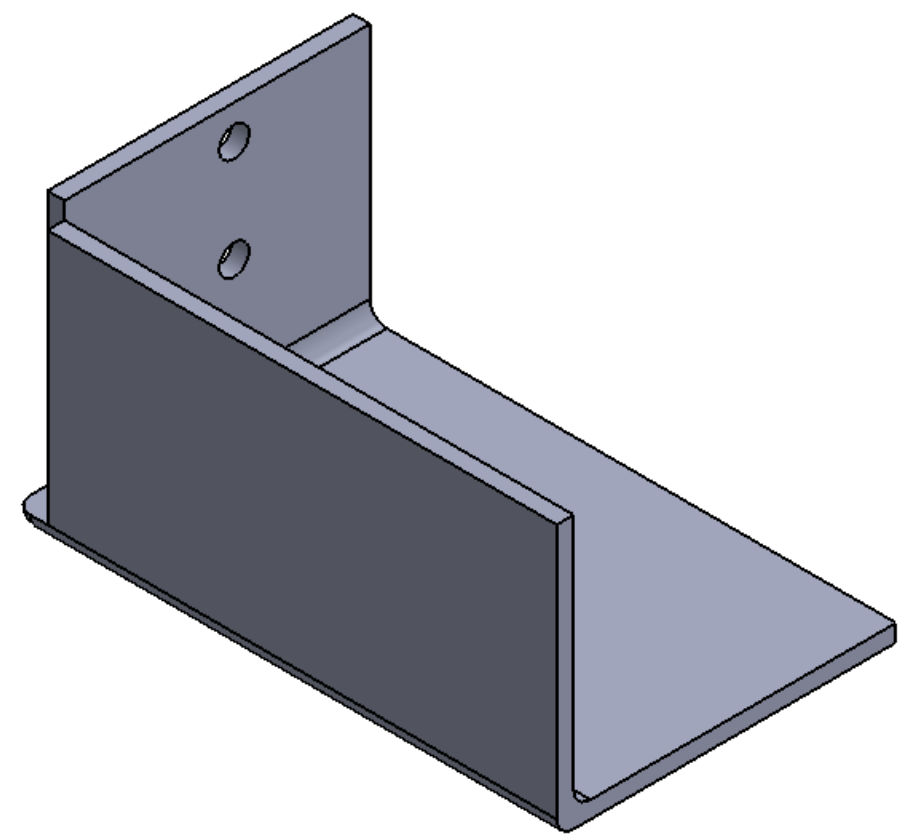
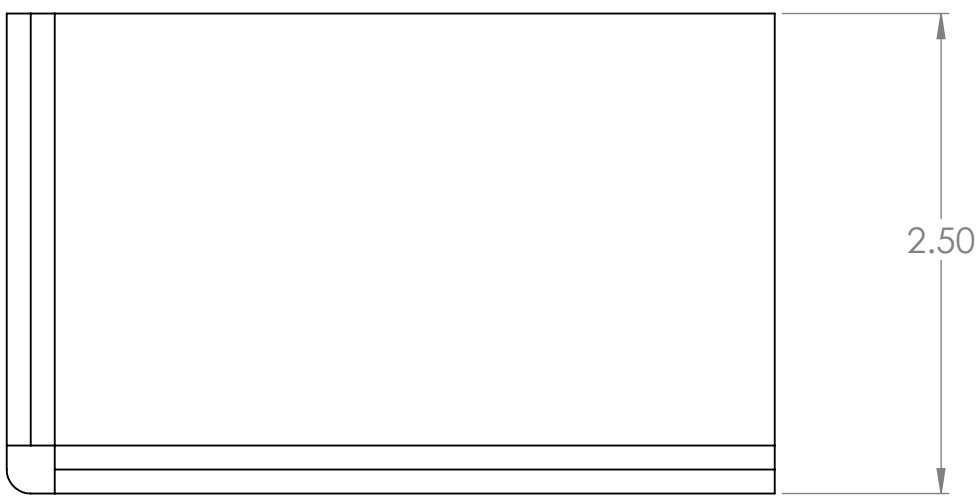


4

3

2

1



**NOTE:** Part fabricated from 1/8" thk steel sheet. Dimensions approximated from prototype.

BEND  
2X R 0.13 max.

UNLESS OTHERWISE SPECIFIED:	NAME	DATE
DIMENSIONS ARE IN INCHES	DRAWN	EMS 12/6/15
TOLERANCES:	CHECKED	
FRACTIONAL $\pm .050$	ENG APPR.	
ANGULAR: MACH $\pm .5^\circ$ BEND $\pm 2.0^\circ$	MFG APPR.	
TWO PLACE DECIMAL $\pm .015$	Q.A.	
THREE PLACE DECIMAL $\pm .005$	COMMENTS:	

**PROPRIETARY AND CONFIDENTIAL**  
THE INFORMATION CONTAINED IN THIS DRAWING IS THE SOLE PROPERTY OF RIT MSD P16241. ANY REPRODUCTION IN PART OR AS A WHOLE WITHOUT THE WRITTEN PERMISSION OF RIT MSD P16241 IS PROHIBITED.

MATERIAL  
Low Carbon Steel

FINISH  
Corosion Resistant

DO NOT SCALE DRAWING



TITLE: Brake Actuator Mounting Bracket		
SIZE	DWG. NO.	REV
<b>B</b>	<b>B Mount</b>	<b>A</b>
SCALE: 1:1	WEIGHT:	SHEET 1 OF 1

4

3

2

1

B

B

A

A