

4

3

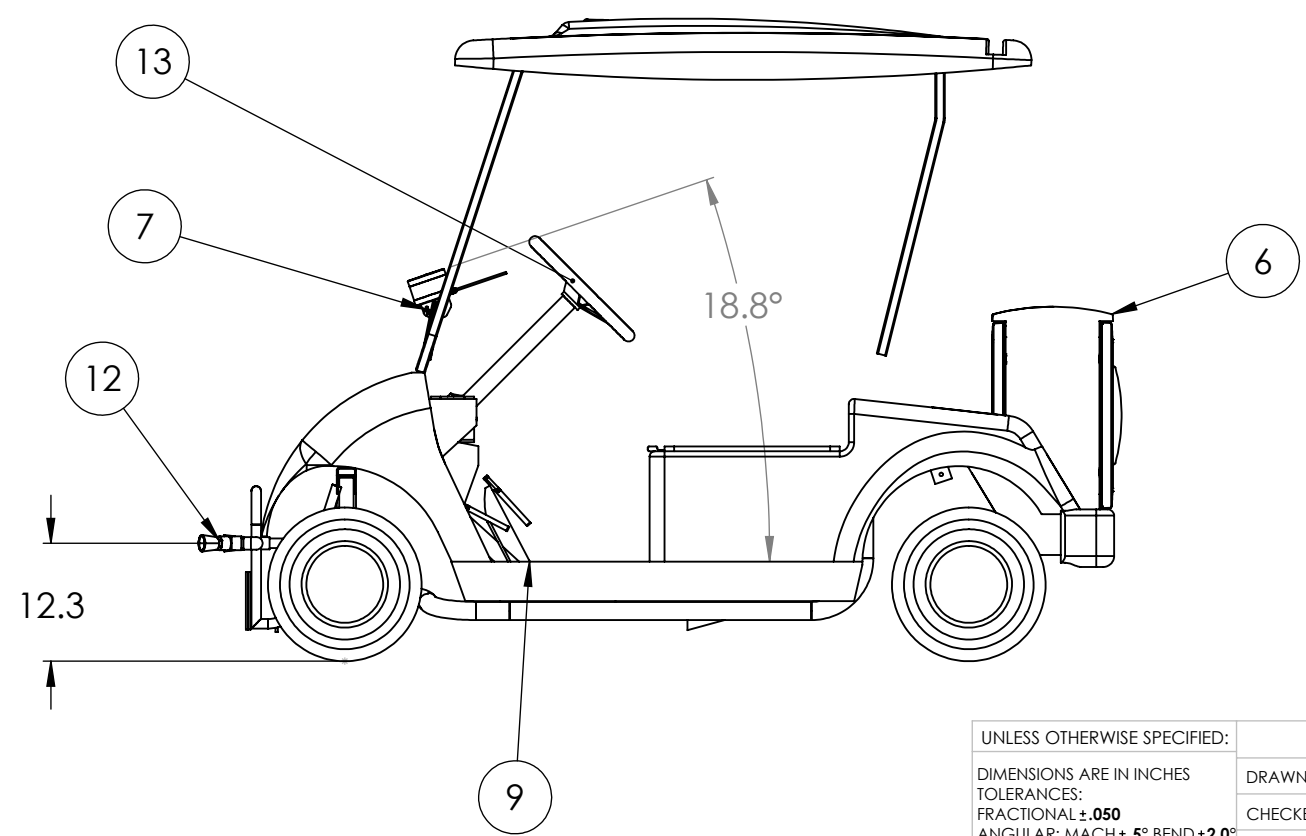
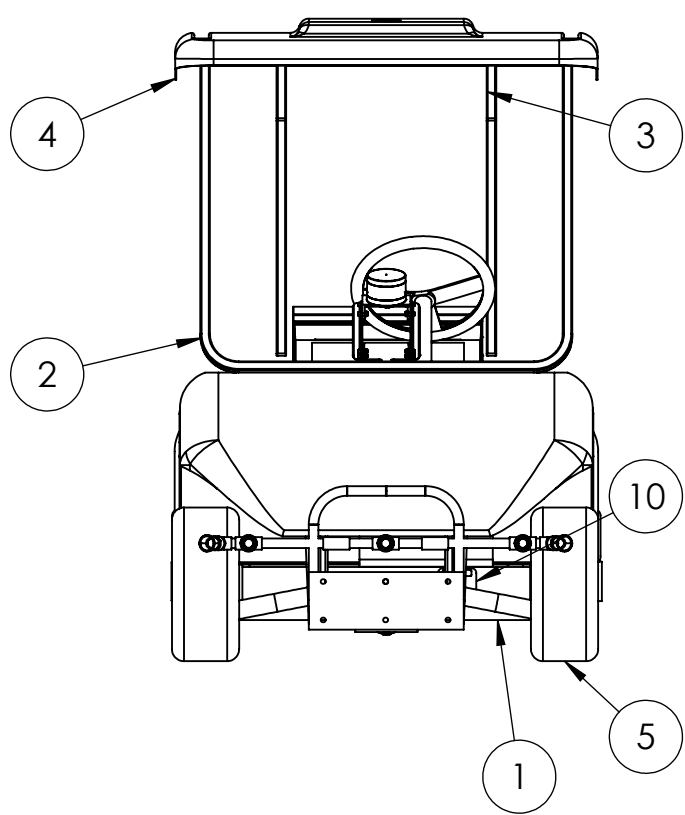
2

1

ITEM NO.	PART NUMBER	DESCRIPTION	QTY.
1	Body	g16 body and frame	1
2	Front Vertical		1
3	Rear Vertical		2
4	Roof		1
5	Wheel		4
6	enclosure_NSYPLAT55 3	Electronics Enclosure	1
7	Lidar Angle Mount		1
8	9833T82	Gas Spring for E-Stop	1
9	Brake Pedal		2
10	Brake Linkage		1
11	Gas Spring Linkage		1
12	Ultrasonic Assembly -		1
13	Steering Wheel		1

B

B



A

A

UNLESS OTHERWISE SPECIFIED:		NAME	DATE
DIMENSIONS ARE IN INCHES		DRAWN	EMS 12/6/15
TOLERANCES:		CHECKED	
FRACTIONAL ±.050		ENG APPR.	
ANGULAR: MACH ±.5° BEND ±2.0°		MFG APPR.	
TWO PLACE DECIMAL ±.015		Q.A.	
THREE PLACE DECIMAL ±.005		COMMENTS:	
INTERPRET GEOMETRIC TOLERANCING PER: Y14.5-2009			
MATERIAL			
FINISH			
DO NOT SCALE DRAWING			

PROPRIETARY AND CONFIDENTIAL
 THE INFORMATION CONTAINED IN THIS DRAWING IS THE SOLE PROPERTY OF RIT MSD P16241. ANY REPRODUCTION IN PART OR AS A WHOLE WITHOUT THE WRITTEN PERMISSION OF RIT MSD P16241 IS PROHIBITED.



TITLE: Autonomous People Mover
 SIZE DWG. NO. REV
B Cart **A**
 SCALE: 1:50 WEIGHT: SHEET 1 OF 1

4

3

2

1