

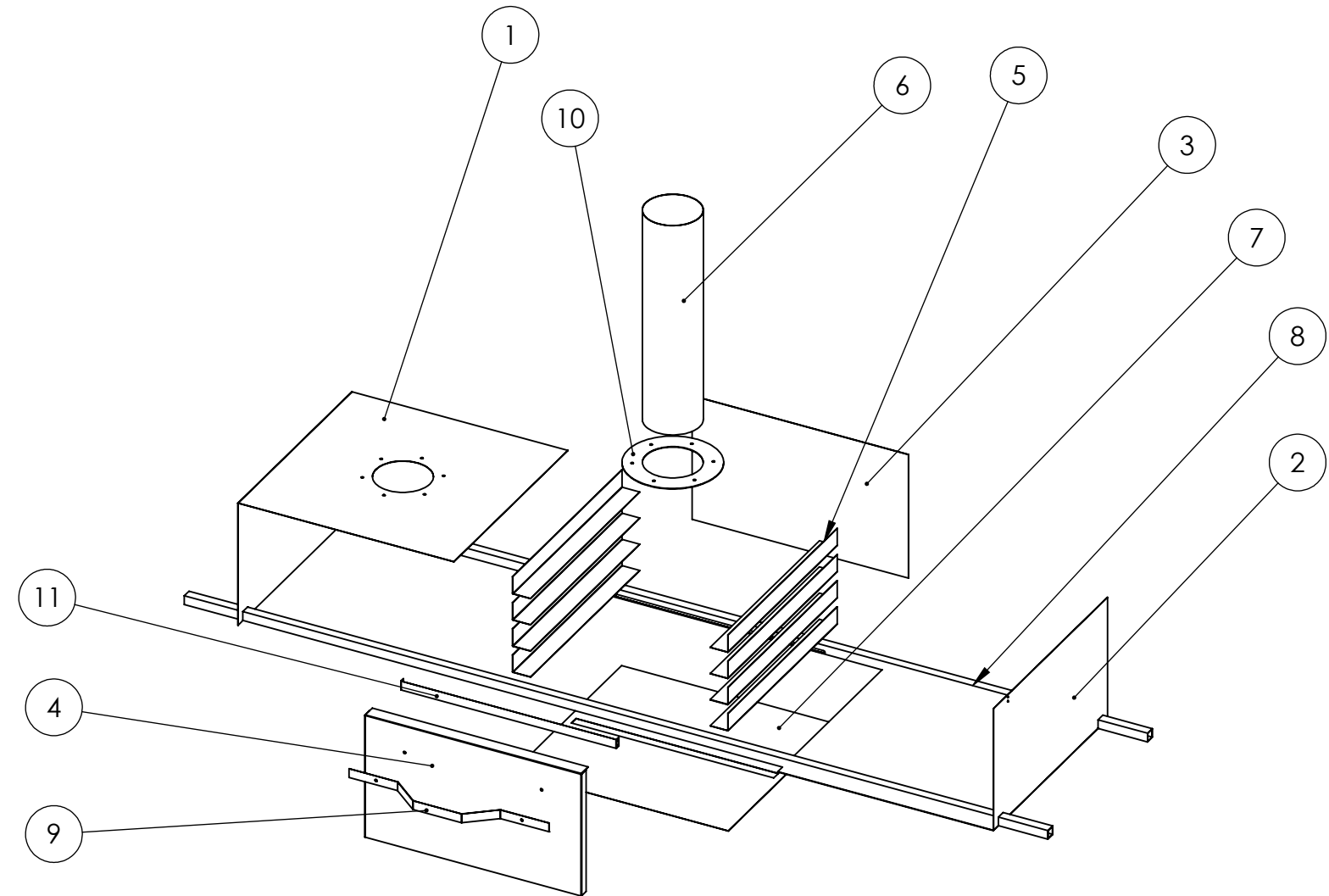
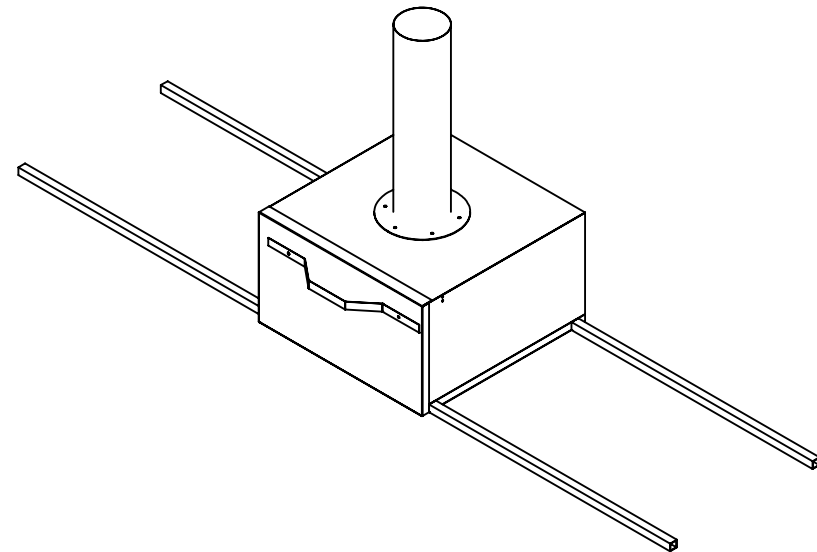
4

3

2

1

REVISIONS				
ZONE	REV.	DESCRIPTION	DATE	APPROVED
	A	Created new drawing	1/28/2016	



ITEM NO.	PART NUMBER	DESCRIPTION	QTY.
1	LS-101	Top/Side Panel	1
2	LS-102	Bottom/Side Panel	1
3	LS-103	Box Rear Wall	1
4	LS-104	Door	1
5	LS-105	Leaf Tray Holder	8
6	LS-106	Chimney	1
7	LS-107	Bottom Vent	1
8	LS-108	Crossbar	2
9	LS-109	Door Handle	1
10	LS-110	Chimney Flange	1
11	LS-111	Roof Support Rib	1

PROPRIETARY AND CONFIDENTIAL
 THE INFORMATION CONTAINED IN THIS DRAWING IS THE SOLE PROPERTY OF <INSERT COMPANY NAME HERE>. ANY REPRODUCTION IN PART OR AS A WHOLE WITHOUT THE WRITTEN PERMISSION OF <INSERT COMPANY NAME HERE> IS PROHIBITED.

UNLESS OTHERWISE SPECIFIED:		NAME	DATE	TITLE: Dehydrator Box
DIMENSIONS ARE IN INCHES TOLERANCES: FRACTIONAL ± ANGULAR: MACH ± BEND ± TWO PLACE DECIMAL ± THREE PLACE DECIMAL ±		DRAWN ZWG	12/5/15	
INTERPRET GEOMETRIC TOLERANCING PER:		CHECKED		SIZE DWG. NO. REV B LS-100 A
MATERIAL		ENG APPR.		
FINISH		MFG APPR.		SCALE: 1:20 WEIGHT: SHEET 1 OF 1
NEXT ASSY	Full Dehydrator Box	Q.A.		
APPLICATION		COMMENTS:		
DO NOT SCALE DRAWING				

4

3

2

1

B

B

A

A