

4

3

2

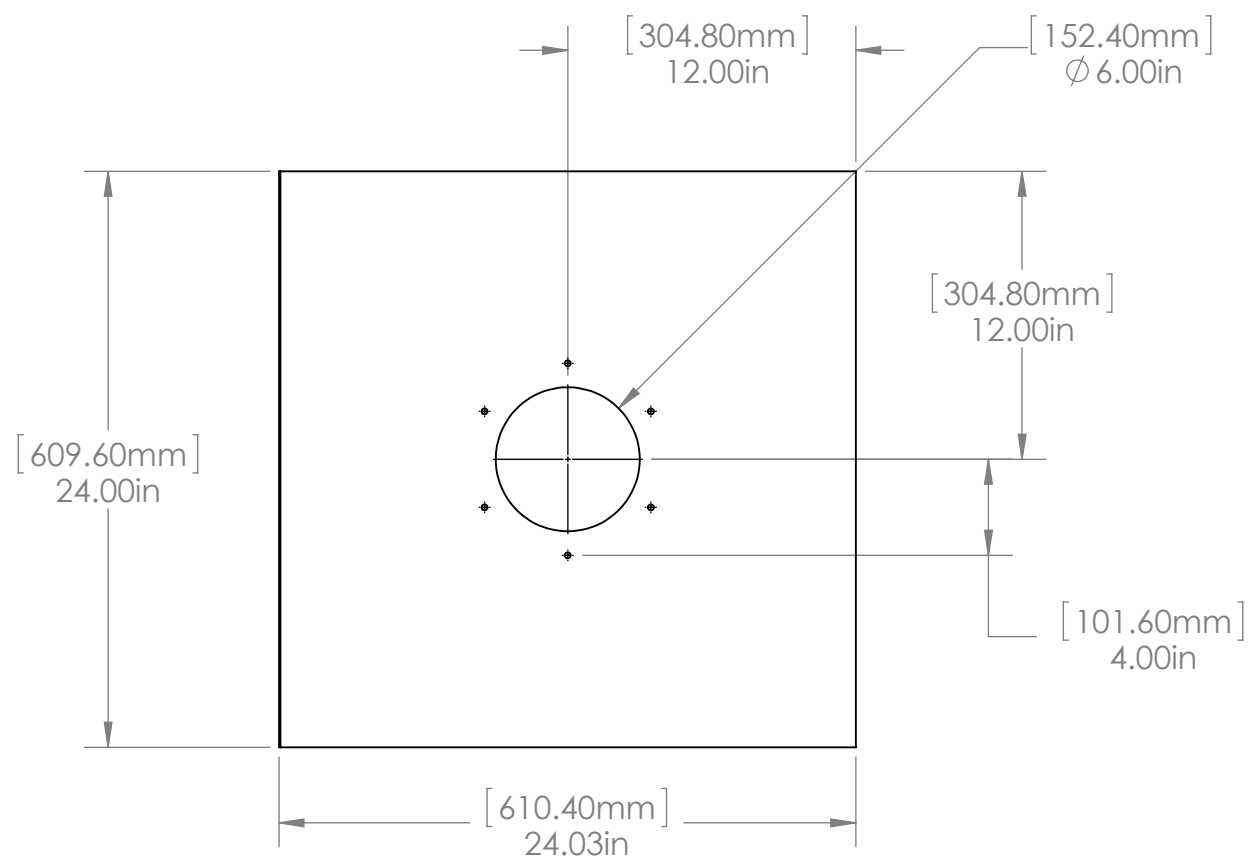
1

B

B

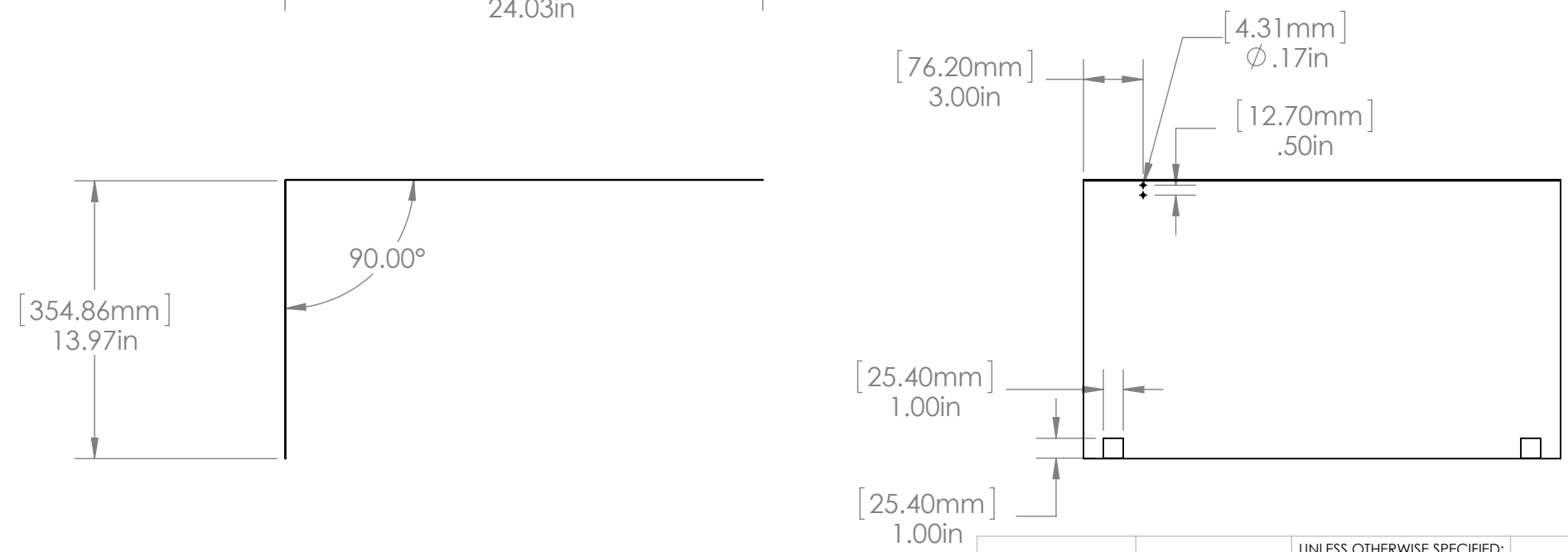
A

A



REVISIONS				
ZONE	REV.	DESCRIPTION	DATE	APPROVED
	A	Created new drawing	2/29/2016	

Note: - Material thickness is 0.8mm or 0.03i



PROPRIETARY AND CONFIDENTIAL
 THE INFORMATION CONTAINED IN THIS DRAWING IS THE SOLE PROPERTY OF <INSERT COMPANY NAME HERE>. ANY REPRODUCTION IN PART OR AS A WHOLE WITHOUT THE WRITTEN PERMISSION OF <INSERT COMPANY NAME HERE> IS PROHIBITED.

		UNLESS OTHERWISE SPECIFIED:	NAME	DATE		
		DIMENSIONS ARE IN METERS	DRAWN	ZWG	2/29/16	TITLE: Top/Side Panel
		TOLERANCES:	CHECKED			
		X ± 1	ENG APPR.			
		.X ± .1	MFG APPR.			
		.XX ± .01	Q.A.			
		.XXX ± .005	COMMENTS:			
		ANGLES ± .5°				
		INTERPRET GEOMETRIC TOLERANCING PER:				
		MATERIAL				
		Sheet Metal				
NEXT ASSY	Dehydrator Box	FINISH				
APPLICATION		DO NOT SCALE DRAWING				
SIZE	DWG. NO.	REV				
B	LS-101	A				
SCALE: 1:8		WEIGHT:	SHEET 1 OF 1			

4

3

2

1