

4

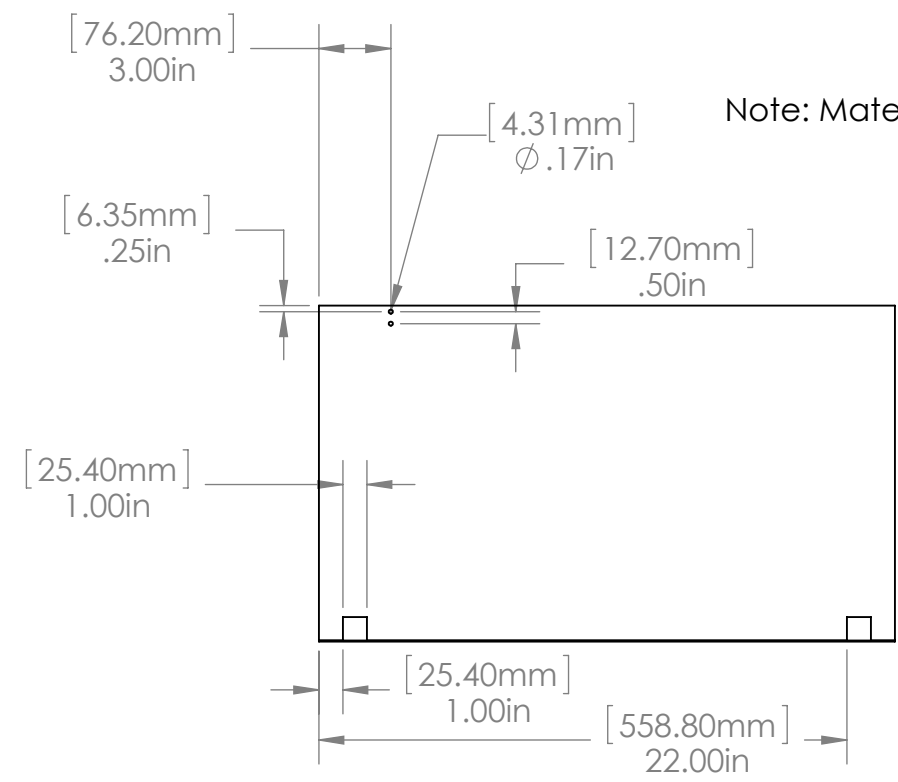
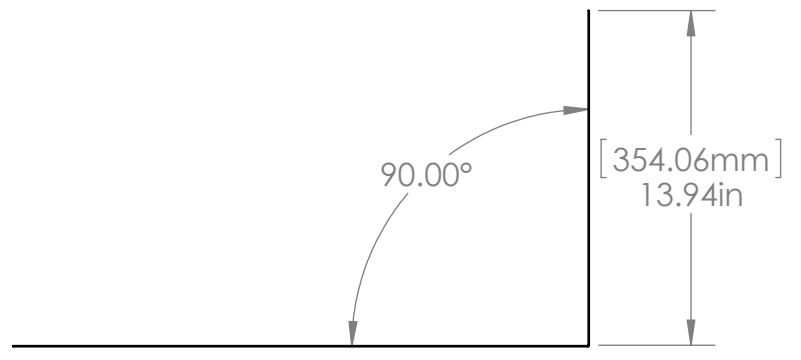
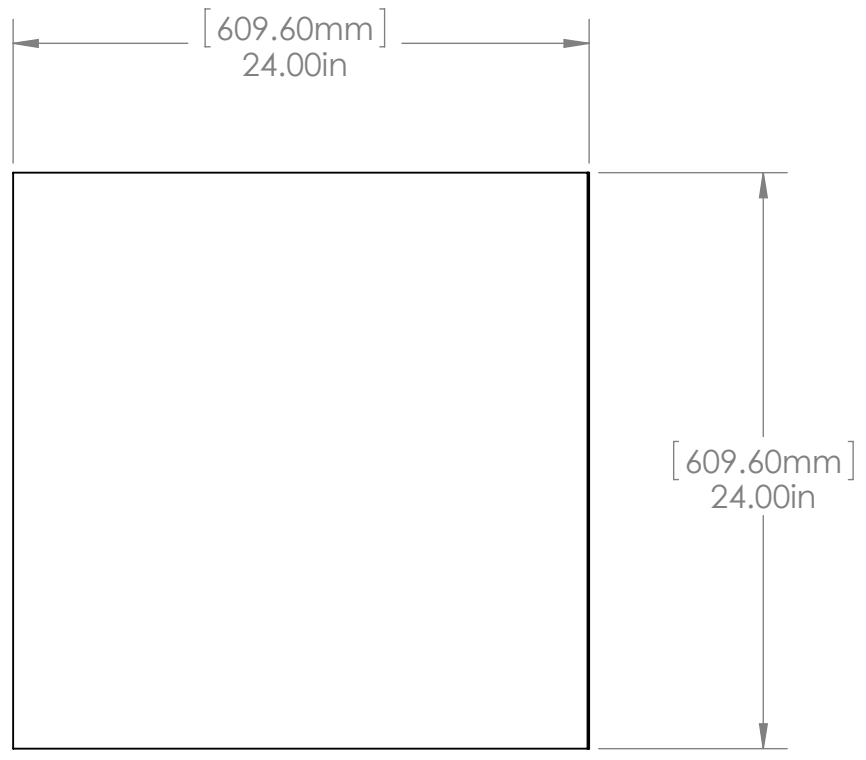
3

2

1

REVISIONS

| ZONE | REV. | DESCRIPTION | DATE | APPROVED |
|------|------|---------------------|-----------|----------|
| | A | Created new drawing | 2/29/2016 | |



Note: Material thickness is 0.8mm or 0.03in

PROPRIETARY AND CONFIDENTIAL
 THE INFORMATION CONTAINED IN THIS DRAWING IS THE SOLE PROPERTY OF <INSERT COMPANY NAME HERE>. ANY REPRODUCTION IN PART OR AS A WHOLE WITHOUT THE WRITTEN PERMISSION OF <INSERT COMPANY NAME HERE> IS PROHIBITED.

| | | | | | | |
|-------------|----------------|--------------------------------------|-----------|------|---------|------------------------------------|
| | | UNLESS OTHERWISE SPECIFIED: | NAME | DATE | | |
| | | DIMENSIONS ARE IN METERS | DRAWN | ZWG | 2/29/16 | TITLE: Bottom/Side Panel |
| | | TOLERANCES: | CHECKED | | | |
| | | X ± 1 | ENG APPR. | | | |
| | | .X ± .1 | MFG APPR. | | | |
| | | .XX ± .01 | Q.A. | | | |
| | | .XXX ± .005 | COMMENTS: | | | |
| | | ANGLES ± .5° | | | | |
| | | INTERPRET GEOMETRIC TOLERANCING PER: | | | | |
| | | MATERIAL | | | | |
| | | Sheet Metal | | | | |
| NEXT ASSY | Dehydrator Box | FINISH | | | | |
| APPLICATION | | DO NOT SCALE DRAWING | | | | |
| SIZE | DWG. NO. | REV | | | | |
| B | LS-102 | A | | | | |
| SCALE: 1:8 | WEIGHT: | SHEET 1 OF 1 | | | | |

4

3

2

1

B

B

A

A