

4

3

2

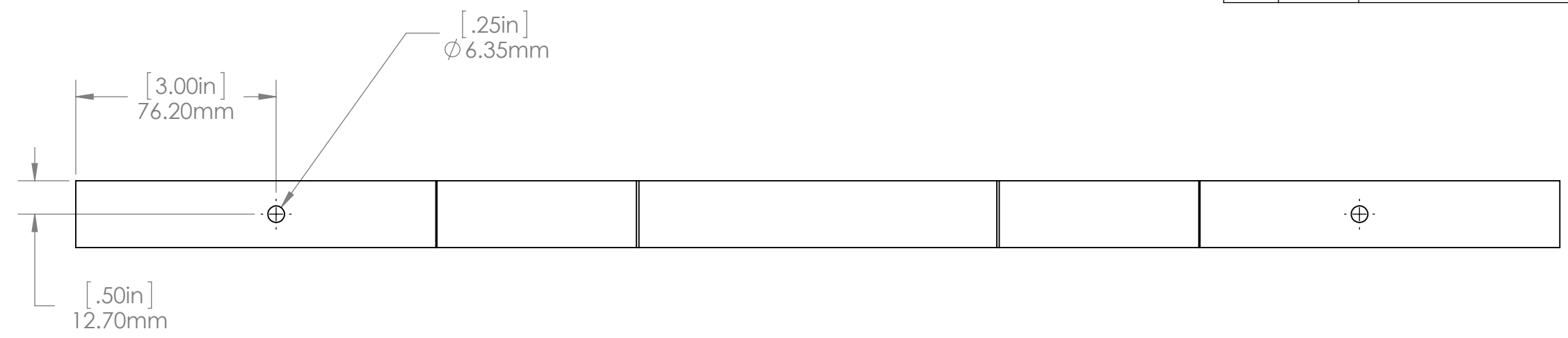
1

Note: - Material thickness is 0.8mm or 0.03in  
- Holes are identical (size and location)

REVISIONS				
ZONE	REV.	DESCRIPTION	DATE	APPROVED
	A	Created new drawing	2/2/2016	
	B	Changed from wooden handle to sheet metal handle	4/16/2016	

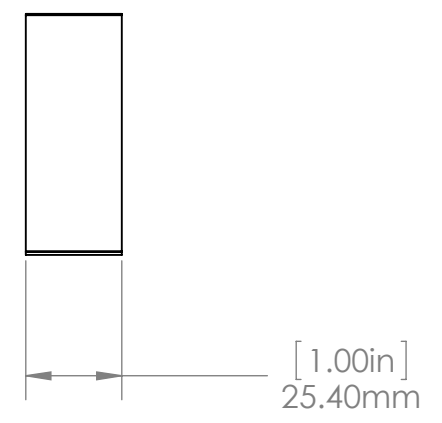
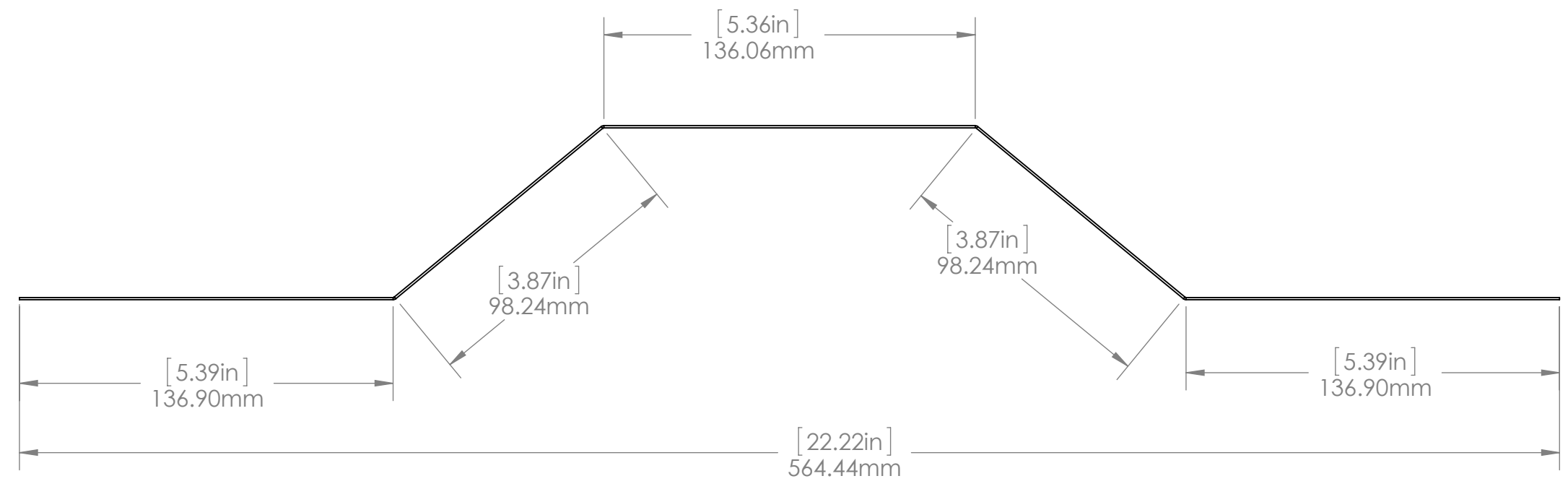
B

B



A

A



**PROPRIETARY AND CONFIDENTIAL**  
 THE INFORMATION CONTAINED IN THIS DRAWING IS THE SOLE PROPERTY OF <INSERT COMPANY NAME HERE>. ANY REPRODUCTION IN PART OR AS A WHOLE WITHOUT THE WRITTEN PERMISSION OF <INSERT COMPANY NAME HERE> IS PROHIBITED.

		UNLESS OTHERWISE SPECIFIED:	NAME	DATE		
		DIMENSIONS ARE IN INCHES	DRAWN	ZWG	2/2/16	TITLE: <b>Door Handle</b>
		TOLERANCES:	CHECKED			
		FRACTIONAL ±	ENG APPR.			
		ANGULAR: MACH ± BEND ±	MFG APPR.			
		TWO PLACE DECIMAL ±	Q.A.			
		THREE PLACE DECIMAL ±	COMMENTS:			
		INTERPRET GEOMETRIC TOLERANCING PER:				
		MATERIAL	Wood			
NEXT ASSY	Dehydrator Box	FINISH				
APPLICATION		DO NOT SCALE DRAWING				
SIZE	DWG. NO.	REV				
<b>B</b>	<b>LS-109</b>	<b>B</b>				
SCALE: 1:2		WEIGHT:	SHEET 1 OF 1			

4

3

2

1