

4

3

2

1

| REVISIONS |      |                     |           |          |
|-----------|------|---------------------|-----------|----------|
| ZONE      | REV. | DESCRIPTION         | DATE      | APPROVED |
|           | A    | Created new drawing | 4/16/2016 |          |

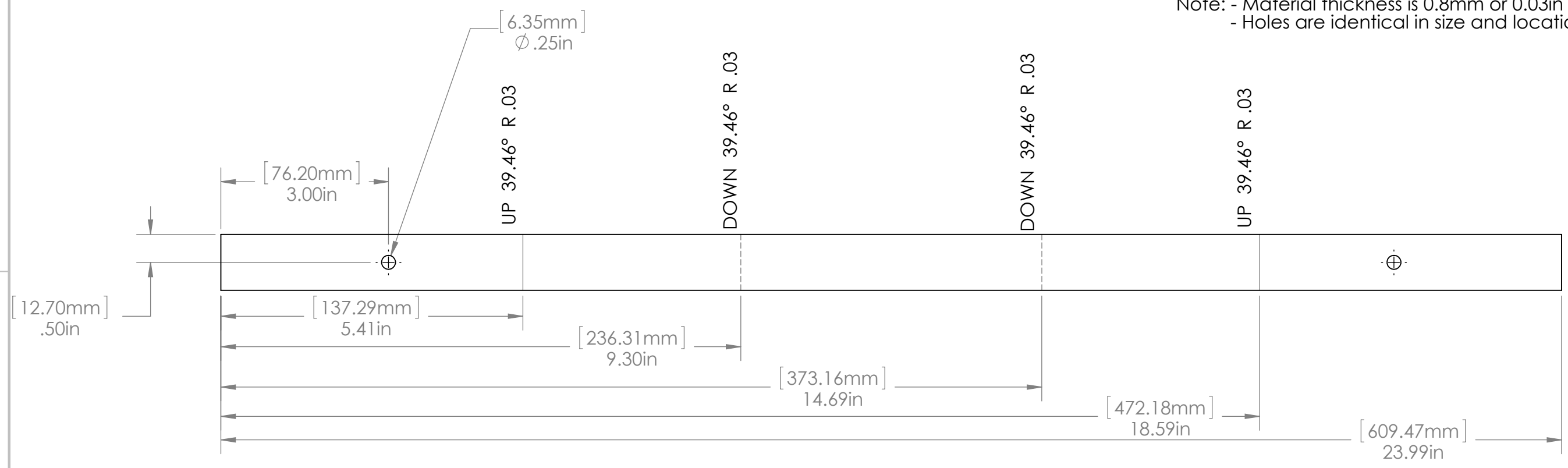
Note: - Material thickness is 0.8mm or 0.03in  
 - Holes are identical in size and location

B

B

A

A



**PROPRIETARY AND CONFIDENTIAL**  
 THE INFORMATION CONTAINED IN THIS DRAWING IS THE SOLE PROPERTY OF <INSERT COMPANY NAME HERE>. ANY REPRODUCTION IN PART OR AS A WHOLE WITHOUT THE WRITTEN PERMISSION OF <INSERT COMPANY NAME HERE> IS PROHIBITED.

|             |        |                                      |           |      |         |                                     |
|-------------|--------|--------------------------------------|-----------|------|---------|-------------------------------------|
|             |        | UNLESS OTHERWISE SPECIFIED:          | NAME      | DATE |         |                                     |
|             |        | DIMENSIONS ARE IN METERS             | DRAWN     | ZWG  | 4/16/16 | TITLE:<br><b>Door Handle - Flat</b> |
|             |        | TOLERANCES:                          | CHECKED   |      |         |                                     |
|             |        | X ± 1                                | ENG APPR. |      |         |                                     |
|             |        | .X ± .1                              | MFG APPR. |      |         |                                     |
|             |        | .XX ± .01                            | Q.A.      |      |         |                                     |
|             |        | .XXX ± .005                          | COMMENTS: |      |         | SIZE DWG. NO. REV                   |
|             |        | ANGLES ± .5°                         |           |      |         | <b>B LS-109F A</b>                  |
|             |        | INTERPRET GEOMETRIC TOLERANCING PER: |           |      |         | SCALE: 1:2 WEIGHT: SHEET 1 OF 1     |
|             |        | MATERIAL                             |           |      |         |                                     |
|             |        | Sheet metal                          |           |      |         |                                     |
|             |        | FINISH                               |           |      |         |                                     |
| NEXT ASSY   | LS-100 |                                      |           |      |         |                                     |
| APPLICATION |        | DO NOT SCALE DRAWING                 |           |      |         |                                     |

4

3

2

1