

4

3

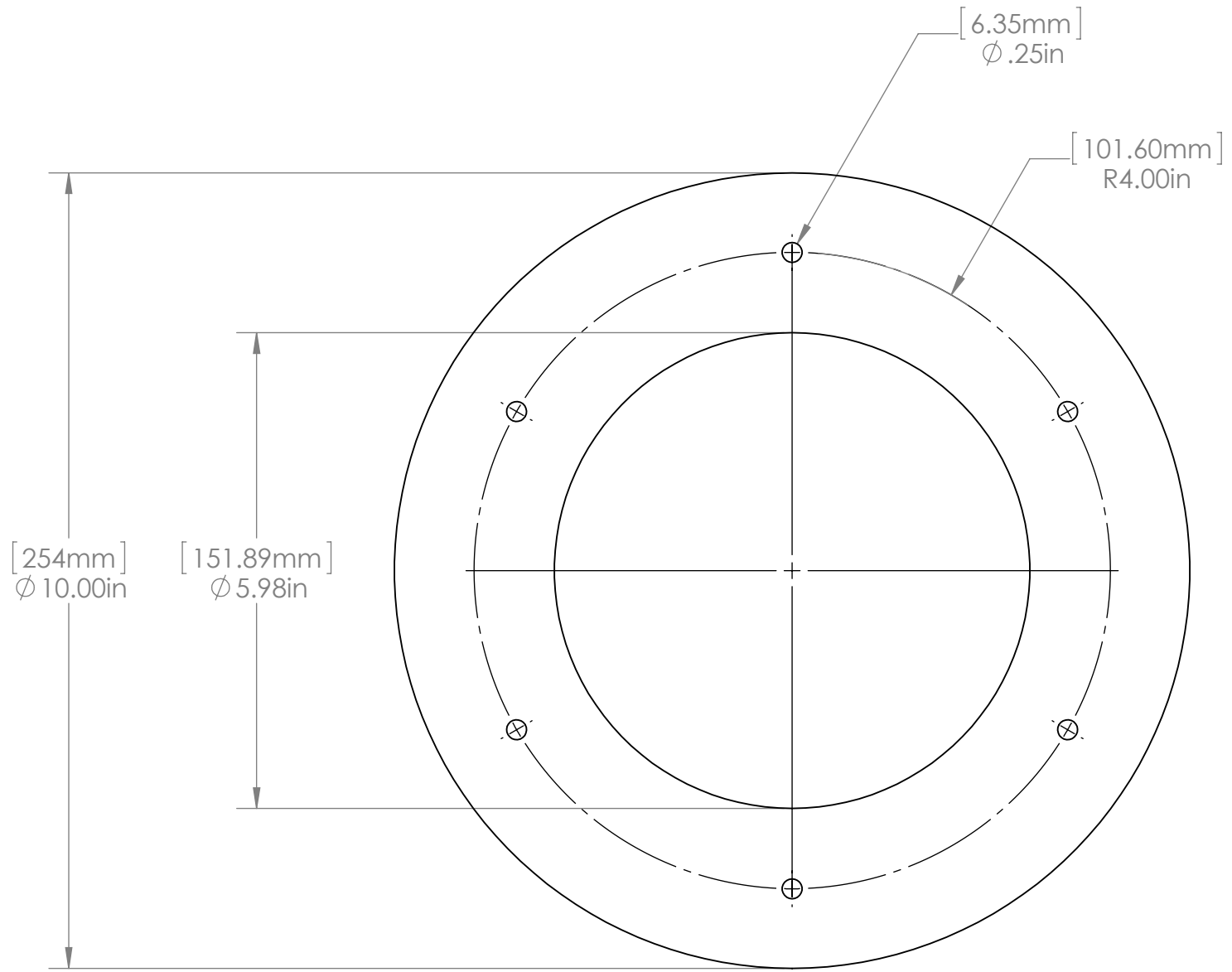
2

1

REVISIONS				
ZONE	REV.	DESCRIPTION	DATE	APPROVED
	A	Created new drawing	3/1/2016	

B

B



Note: Material thickness is 01.6mm or 0.06in

A

A

4

3

2

1

PROPRIETARY AND CONFIDENTIAL
 THE INFORMATION CONTAINED IN THIS DRAWING IS THE SOLE PROPERTY OF <INSERT COMPANY NAME HERE>. ANY REPRODUCTION IN PART OR AS A WHOLE WITHOUT THE WRITTEN PERMISSION OF <INSERT COMPANY NAME HERE> IS PROHIBITED.

		UNLESS OTHERWISE SPECIFIED:		NAME	DATE	
		DIMENSIONS ARE IN METERS		DRAWN	ZWG	3/1/16
		TOLERANCES:		CHECKED		
		X ± 1		ENG APPR.		
		.X ± .1		MFG APPR.		
		.XX ± .01		Q.A.		
		.XXX ± .005		COMMENTS:		
		ANGLES ± .5°				
		INTERPRET GEOMETRIC TOLERANCING PER:				
		MATERIAL				
		Sheet Metal				
NEXT ASSY	Dehydrator Box	FINISH				
		DO NOT SCALE DRAWING				
			TITLE:			
			Chimney Flange			
		SIZE	DWG. NO.	REV		
		B	LS-110	A		
		SCALE: 1:4	WEIGHT:			SHEET 1 OF 1