

4

3

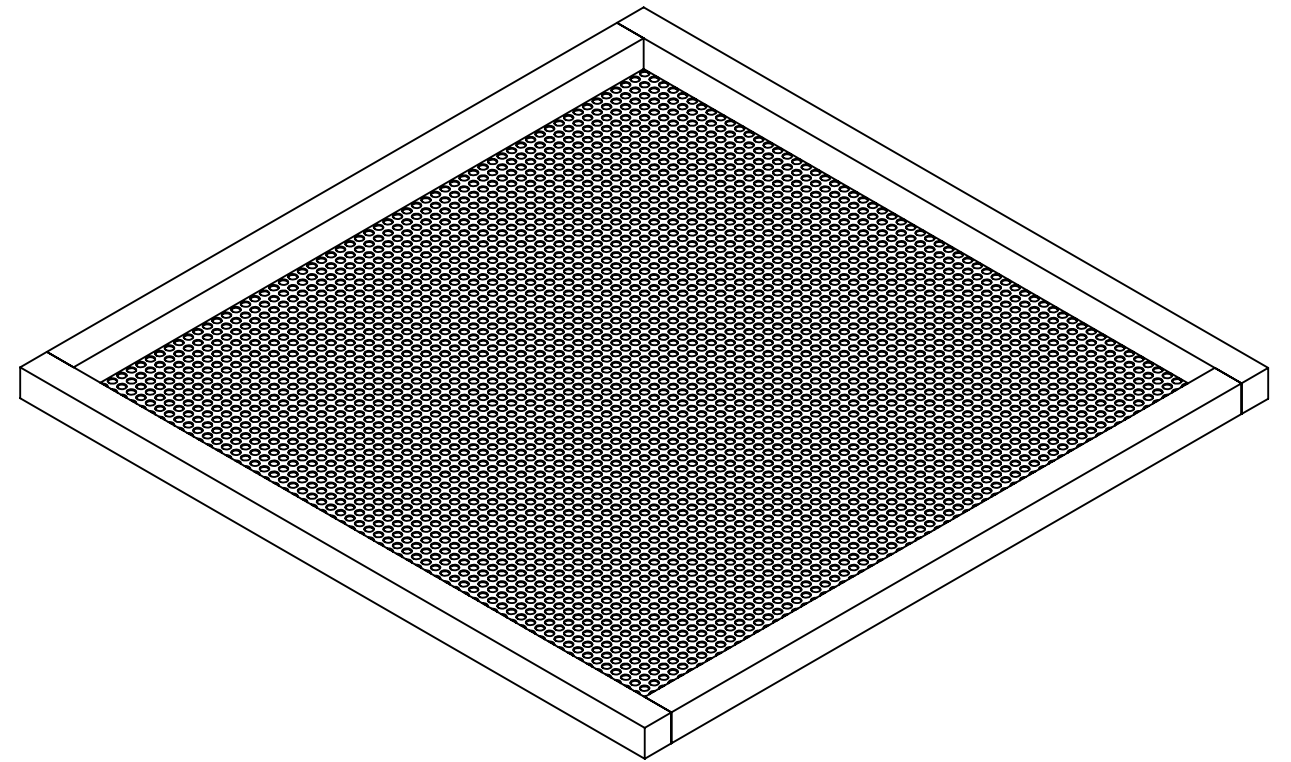
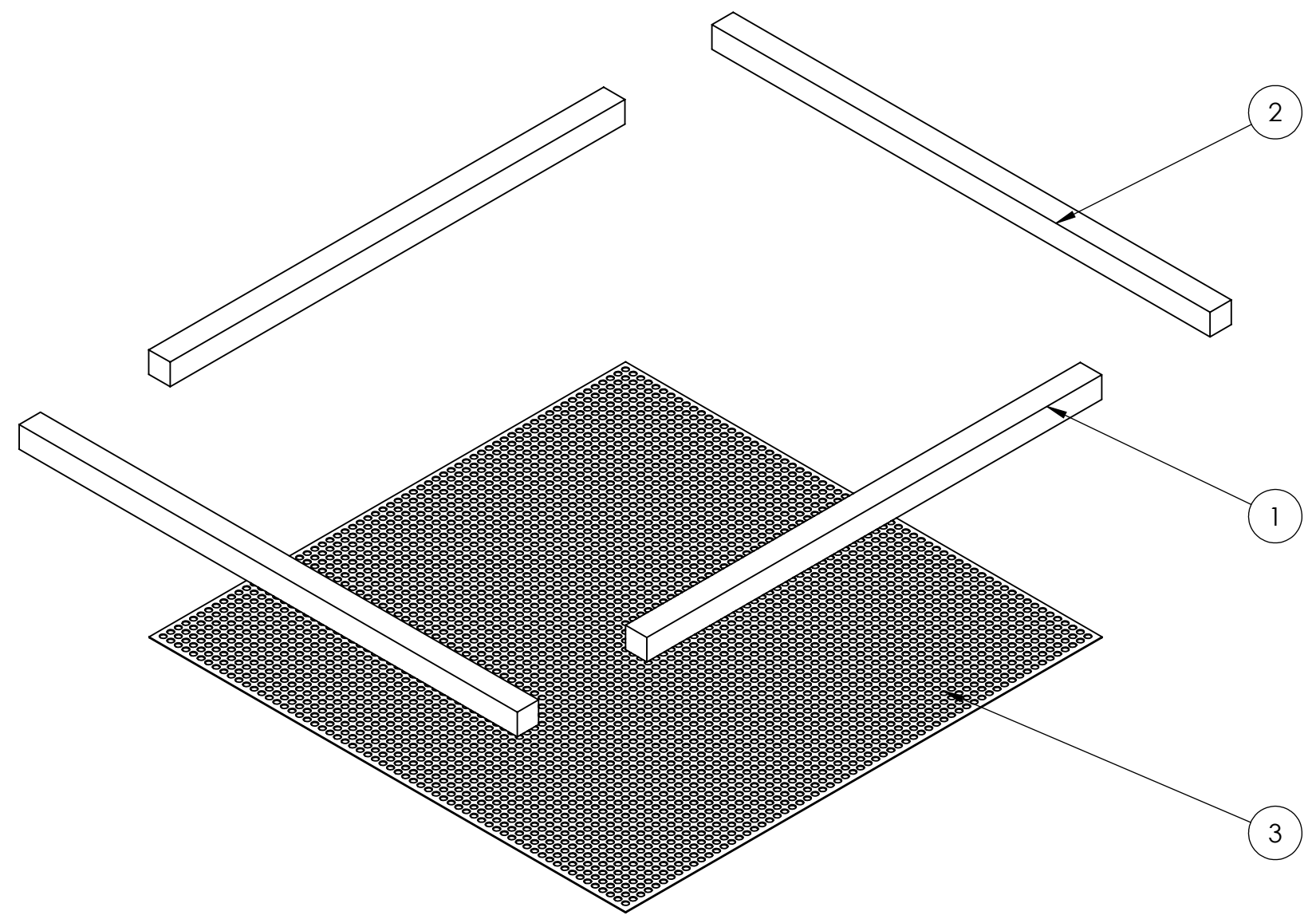
2

1

REVISIONS				
ZONE	REV.	DESCRIPTION	DATE	APPROVED
	A	Created new drawing	1/28/2016	

B

B



A

A

ITEM NO.	PART NUMBER	DESCRIPTION	QTY.
1	LS-201 (Leaf Tray Side FB)		2
2	LS-202 (Leaf Tray Side LR)		2
3	LS-203 (Tray Mesh)		1

**PROPRIETARY AND CONFIDENTIAL**  
 THE INFORMATION CONTAINED IN THIS DRAWING IS THE SOLE PROPERTY OF <INSERT COMPANY NAME HERE>. ANY REPRODUCTION IN PART OR AS A WHOLE WITHOUT THE WRITTEN PERMISSION OF <INSERT COMPANY NAME HERE> IS PROHIBITED.

		UNLESS OTHERWISE SPECIFIED:	NAME	DATE		
		DIMENSIONS ARE IN INCHES	DRAWN	ZWG	12/5/15	TITLE: <b>Leaf Tray</b>
		TOLERANCES:	CHECKED			
		FRACTIONAL ±	ENG APPR.			
		ANGULAR: MACH ± BEND ±	MFG APPR.			
		TWO PLACE DECIMAL ±	Q.A.			SIZE DWG. NO. REV <b>B LS-200 A</b>
		THREE PLACE DECIMAL ±	COMMENTS:			
		INTERPRET GEOMETRIC TOLERANCING PER:				SCALE: 1:10 WEIGHT: SHEET 1 OF 1
		MATERIAL				
NEXT ASSY	Full Dehydrator Box	FINISH				
APPLICATION		DO NOT SCALE DRAWING				

4

3

2

1