

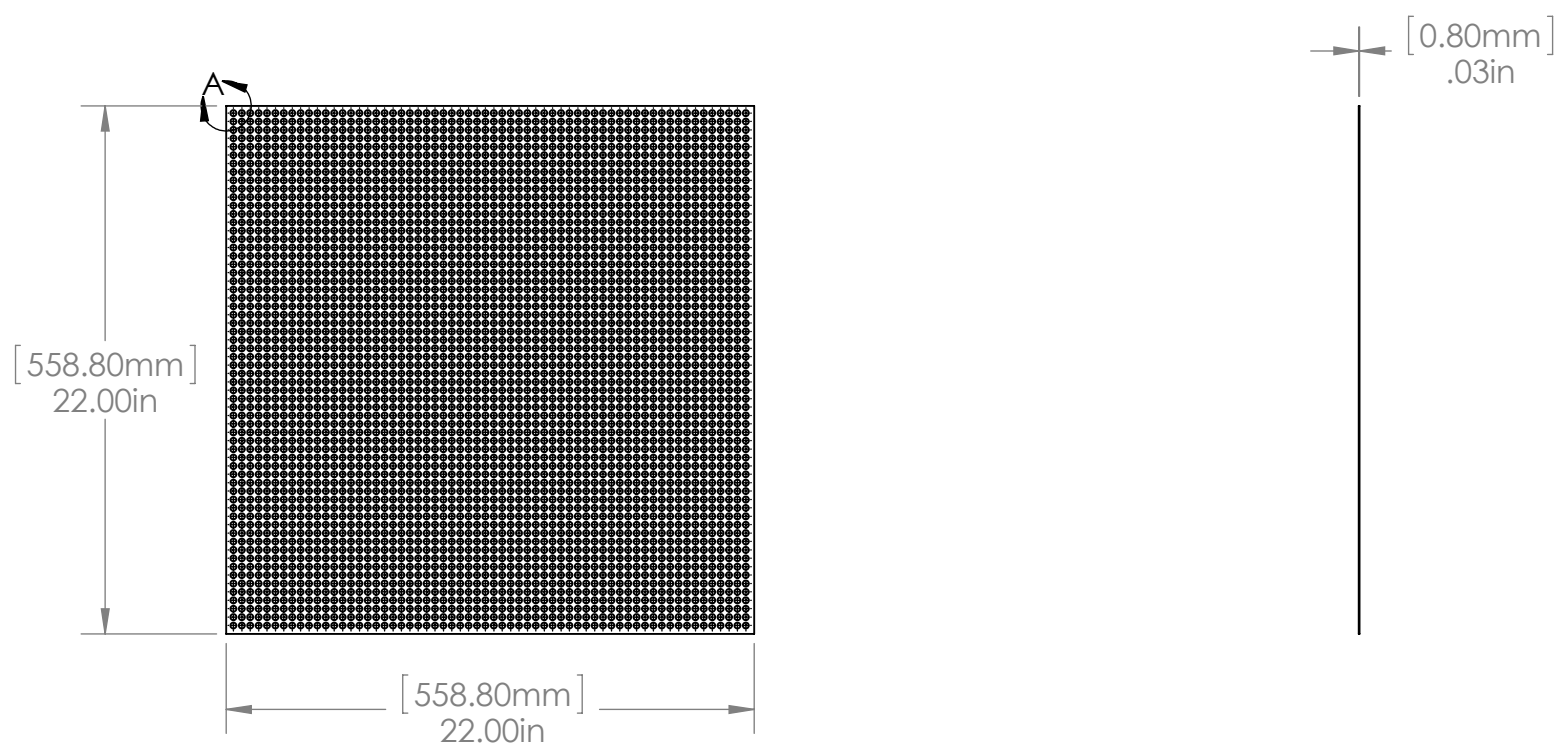
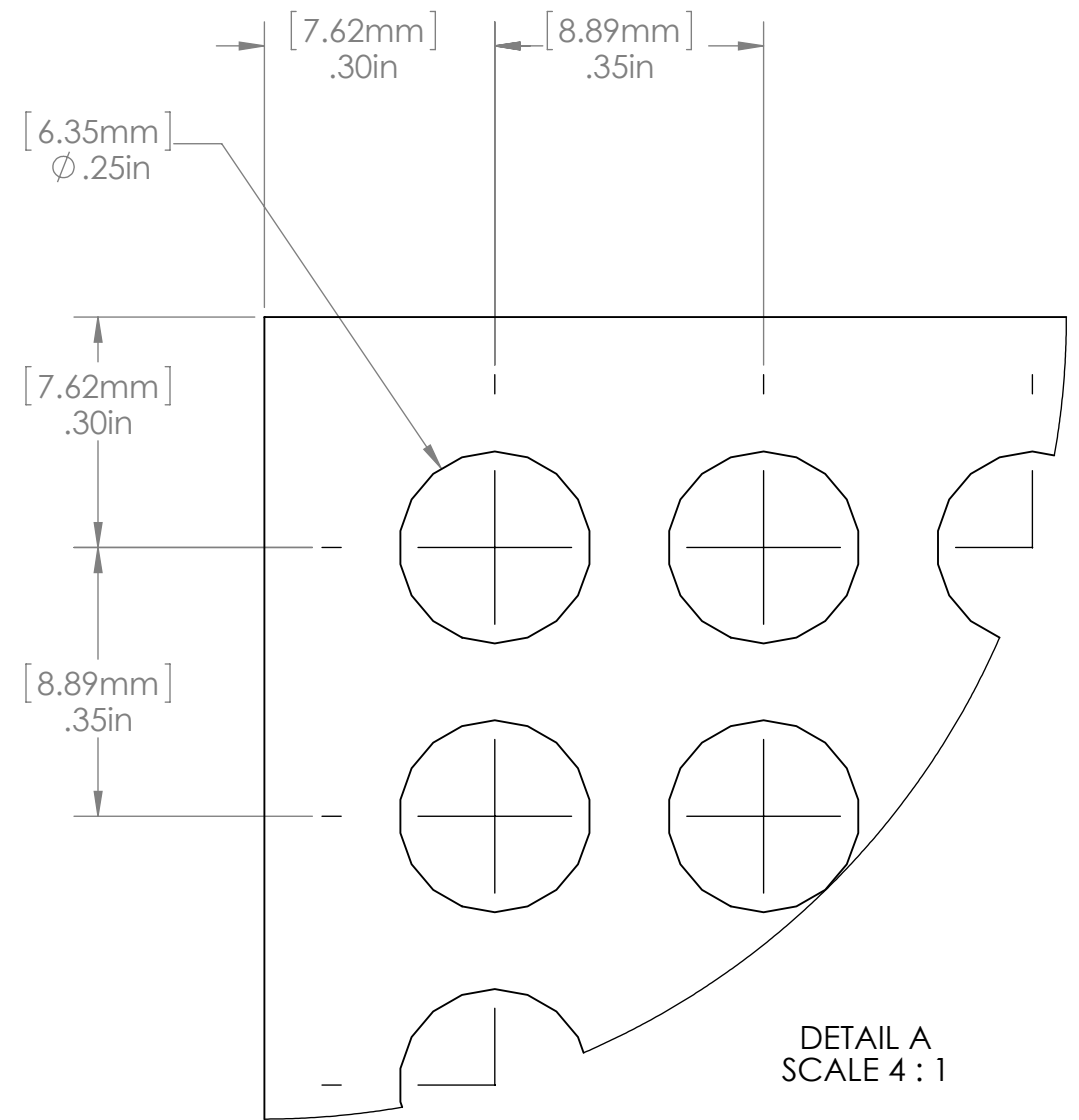
4

3

2

1

REVISIONS				
ZONE	REV.	DESCRIPTION	DATE	APPROVED
	A	Created new drawing	1/27/2016	



DETAIL A
SCALE 4:1

PROPRIETARY AND CONFIDENTIAL
 THE INFORMATION CONTAINED IN THIS DRAWING IS THE SOLE PROPERTY OF <INSERT COMPANY NAME HERE>. ANY REPRODUCTION IN PART OR AS A WHOLE WITHOUT THE WRITTEN PERMISSION OF <INSERT COMPANY NAME HERE> IS PROHIBITED.

		UNLESS OTHERWISE SPECIFIED:		NAME	DATE					
		DIMENSIONS ARE IN METERS		DRAWN	ZWG	12/5/15	TITLE: Tray Mesh			
		TOLERANCES:		CHECKED						
		X ± 1		ENG APPR.						
		.X ± .1		MFG APPR.						
		.XX ± .01		Q.A.						
		.XXX ± .005		COMMENTS:			SIZE	DWG. NO.	REV	
		ANGLES ± .5°					B	LS-203	A	
		INTERPRET GEOMETRIC TOLERANCING PER:					SCALE: 1:8		WEIGHT:	SHEET 1 OF 1
		MATERIAL								
		Aluminum								
NEXT ASSY		Leaf Tray								
APPLICATION		DO NOT SCALE DRAWING								

4

3

2

1

B

B

A

A