

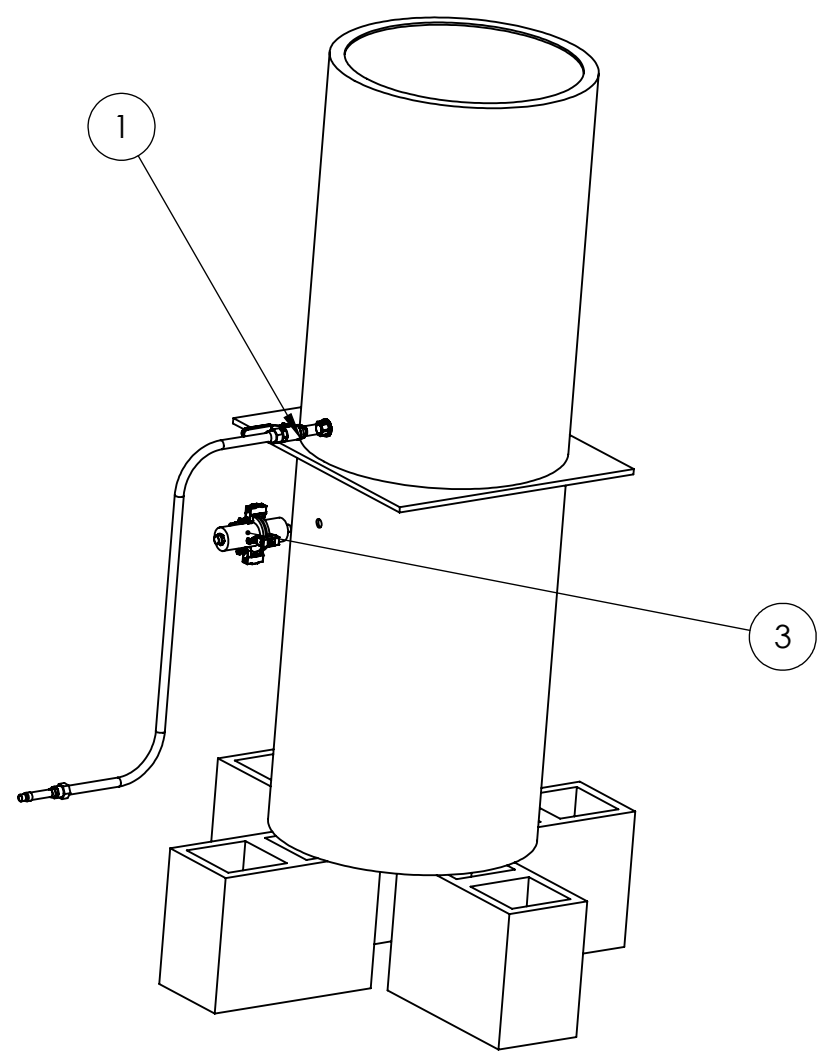
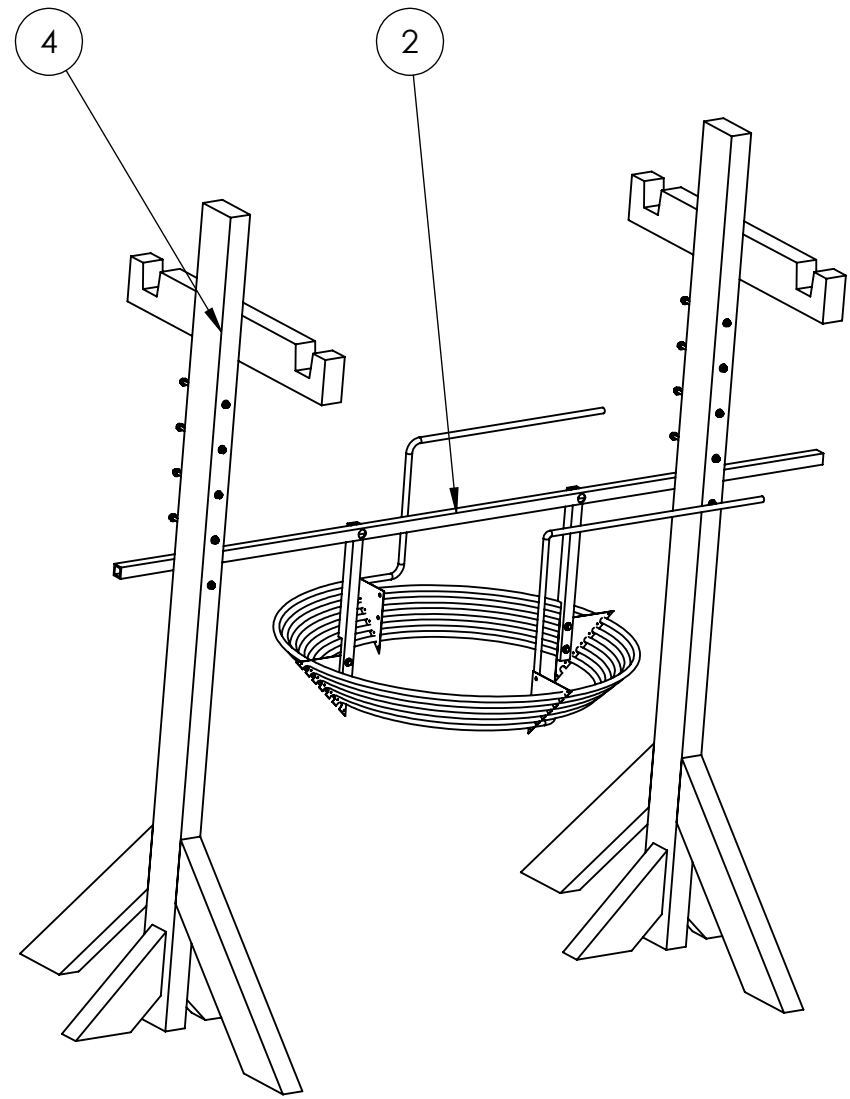
4

3

2

1

REVISIONS				
ZONE	REV.	DESCRIPTION	DATE	APPROVED
	A	CREATED NEW DRAWING	12/9/2015	KD
	B	UPDATED PARTS TO MATCH CURRENT SPECS	4/11/2016	KD



ITEM NO.	PART NUMBER	DESCRIPTION	QTY.
1	WS-100	WATER INLET ASSEMBLY	1
2	WS-200	HEAT EXCHANGER ASSEMBLY	1
3	WS-300	WATER OUTLET ASSEMBLY	1
4	WS-400	SUPPORT RACK ASSEMBLY	2

PROPRIETARY AND CONFIDENTIAL
 THE INFORMATION CONTAINED IN THIS DRAWING IS THE SOLE PROPERTY OF <INSERT COMPANY NAME HERE>. ANY REPRODUCTION IN PART OR AS A WHOLE WITHOUT THE WRITTEN PERMISSION OF <INSERT COMPANY NAME HERE> IS PROHIBITED.

		UNLESS OTHERWISE SPECIFIED:	NAME	DATE	TITLE: <h1 style="text-align: center;">WATER SUBSYSTEM ASSY.</h1> SIZE DWG. NO. REV B WS-000 B SCALE: 1:48 WEIGHT: SHEET 1 OF 1	
		DIMENSIONS ARE IN METERS	DRAWN	KD		12/9/15
		TOLERANCES:	CHECKED			
		X ± 1	ENG APPR.			
		.X ± .1	MFG APPR.			
		.XX ± .01	Q.A.			
		.XXX ± .005	COMMENTS:			
		ANGLES ± .5°				
		INTERPRET GEOMETRIC TOLERANCING PER:				
		MATERIAL				
NEXT ASSY	USED ON	FINISH				
APPLICATION		DO NOT SCALE DRAWING				

4

3

2

1

B

B

A

A