

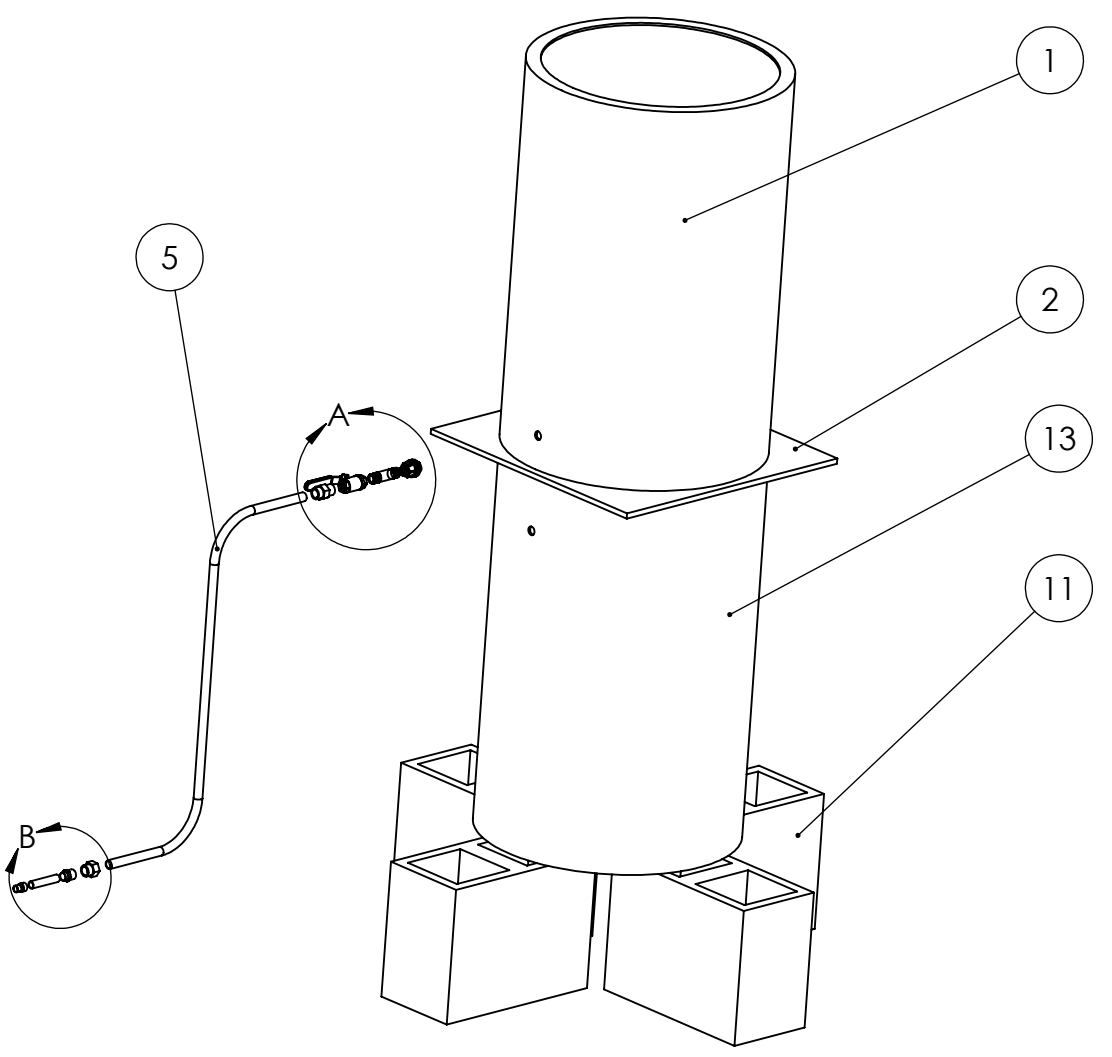
4

3

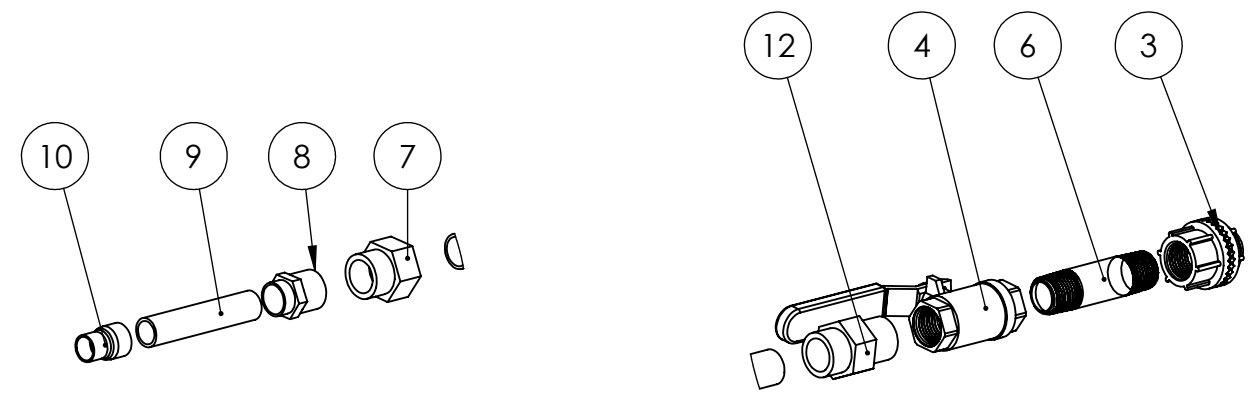
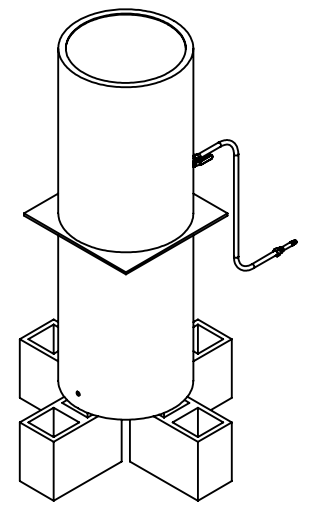
2

1

REVISIONS				
ZONE	REV.	DESCRIPTION	DATE	APPROVED
	A	CREATED NEW DRAWING	12/7/2015	KD
	B	UPDATED HOSE FITTINGS, ADDED CONCRETE BLOCKS AND BRASS HOSE BIBB	2/26/2016	KD
	C	UPDATED NEW BALL VALVE FITTINGS	4/6/2016	KD



ITEM NO.	PART NUMBER	DESCRIPTION	QUANTITY
1	WS-101	WATER INLET TANK	1
2	WS-102	PLYWOOD (2' x 2')	1
3	WS-103	1/2" CONDUIT HUB	1
4	WS-104	1/2" BRASS BALL VALVE	1
5	WS-105	5/8" DRINKING WATER HOSE	1
6	WS-106	1/2" x 3" NIPPLE	1
7	WS-107	3/4" HOSE TO 1/2" PIPE (FEMALE)	1
8	WS-108	1/2" MALE COPPER ADAPTER	1
9	WS-109	1/2" TYPE L COPPER PIPE	1
10	WS-110	1/2" TO 3/8" COPPER REDUCER	1
11	WS-111	CINDER BLOCK	4
12	WS-112	3/4" HOSE TO 1/2" PIPE (MALE)	1
13	WS-301	WATER OUTLET TANK	1



DETAIL B
SCALE 1 : 4

DETAIL A
SCALE 1 : 4

- NOTES:
- PLYWOOD TO BE CENTERED ON WATER TANK
 - CONCRETE BLOCKS TO BE CENTERED UNDER WATER TANK

PROPRIETARY AND CONFIDENTIAL
 THE INFORMATION CONTAINED IN THIS DRAWING IS THE SOLE PROPERTY OF <INSERT COMPANY NAME HERE>. ANY REPRODUCTION IN PART OR AS A WHOLE WITHOUT THE WRITTEN PERMISSION OF <INSERT COMPANY NAME HERE> IS PROHIBITED.

		UNLESS OTHERWISE SPECIFIED:	NAME	DATE	TITLE: <h1>Water Inlet Subsystem</h1>	
		DIMENSIONS ARE IN METERS	DRAWN	KD		12/7/15
		TOLERANCES:	CHECKED			
		X ± 1	ENG APPR.			
		.X ± .1	MFG APPR.			
		.XX ± .01	Q.A.			
		.XXX ± .005	COMMENTS:			
		ANGLES ± .5°				
		INTERPRET GEOMETRIC TOLERANCING PER:				
		MATERIAL				
NEXT ASSY	USED ON	FINISH			SIZE B DWG. NO. WS-100 REV C	
APPLICATION		DO NOT SCALE DRAWING			SCALE: 1:32 WEIGHT: SHEET 1 OF 1	

4

3

2

1