

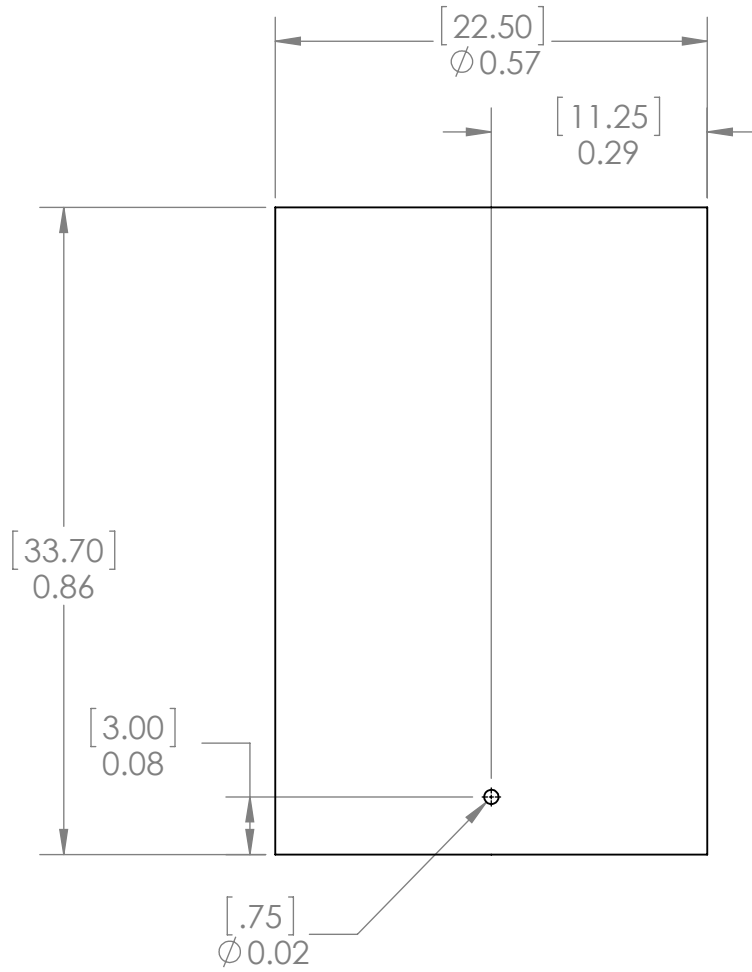
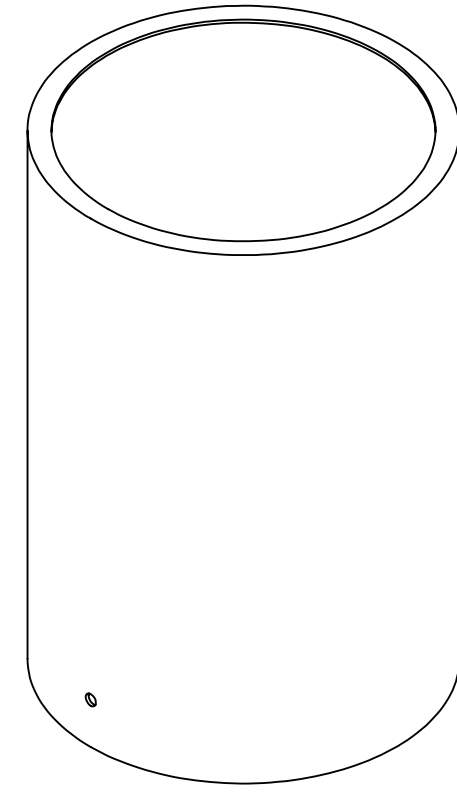
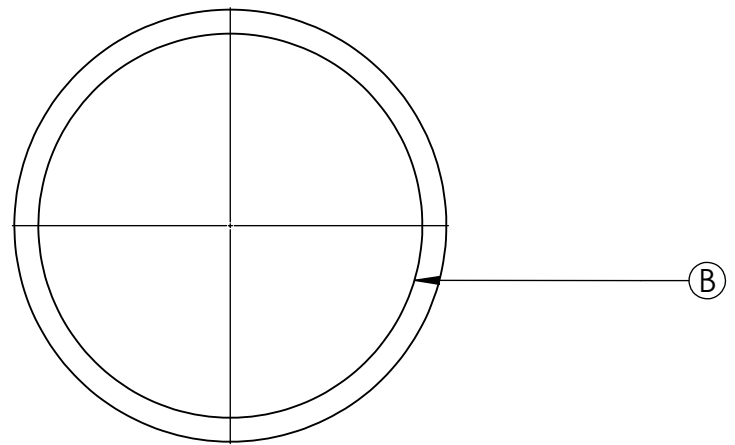
4

3

2

1

REVISIONS				
ZONE	REV.	DESCRIPTION	DATE	APPROVED
	A	CREATED NEW DRAWING	12/1/2015	KD
B3	B	ADDED CUT AT THE TOP OF THE TANK	3/31/2016	KD



- NOTES:
1. TANK WALL THICKNESSES IS 0.0508 M (0.2 IN)
  2. NOMINAL DIMENSIONS ARE SPECIFIED BY MANUFACTURER
  3. WATER OUTLET HOLE TO BE BORED OUT WITH X/X DRILL BIT
  4. CUT OUT TOP OF TANK ENOUGH TO REACH ARM TO BOTTOM OF TANK

**PROPRIETARY AND CONFIDENTIAL**  
 THE INFORMATION CONTAINED IN THIS DRAWING IS THE SOLE PROPERTY OF <INSERT COMPANY NAME HERE>. ANY REPRODUCTION IN PART OR AS A WHOLE WITHOUT THE WRITTEN PERMISSION OF <INSERT COMPANY NAME HERE> IS PROHIBITED.

		UNLESS OTHERWISE SPECIFIED:	NAME	DATE		
		DIMENSIONS ARE IN METERS	DRAWN	KD	12/1/15	TITLE: <b>55 GAL. WATER TANK</b>
		TOLERANCES:	CHECKED			
		X ± 1	ENG APPR.			
		.X ± .1	MFG APPR.			
		.XX ± .01	Q.A.			SIZE DWG. NO. REV <b>B WS-101 B</b>
		.XXX ± .005	COMMENTS:			
		ANGLES ± .5°				SCALE: 1:10 WEIGHT:
INTERPRET GEOMETRIC TOLERANCING PER:	MATERIAL	FINISH				
	PLASTIC					
NEXT ASSY	USED ON	APPLICATION	DO NOT SCALE DRAWING			
						SHEET 1 OF 1

4

3

2

1

B

B

A

A