

4

3

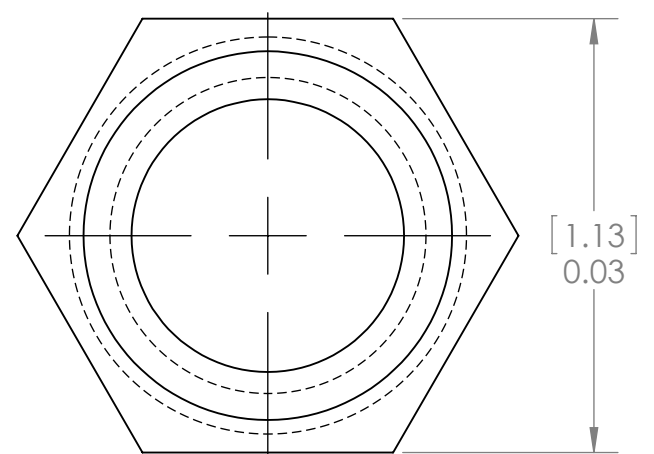
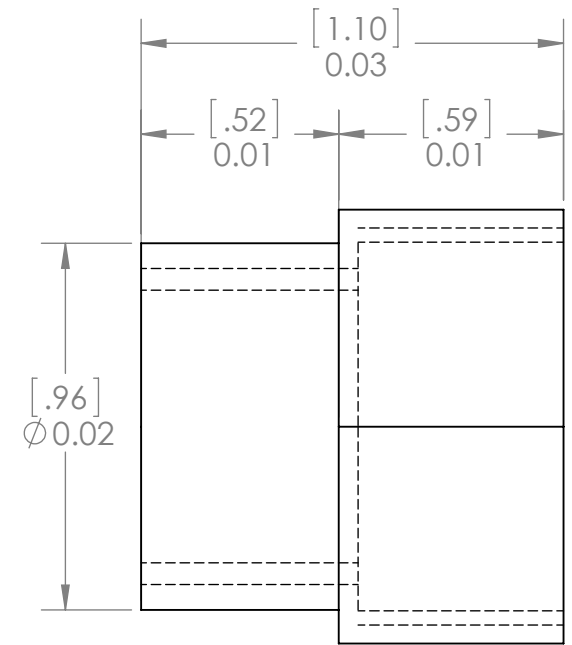
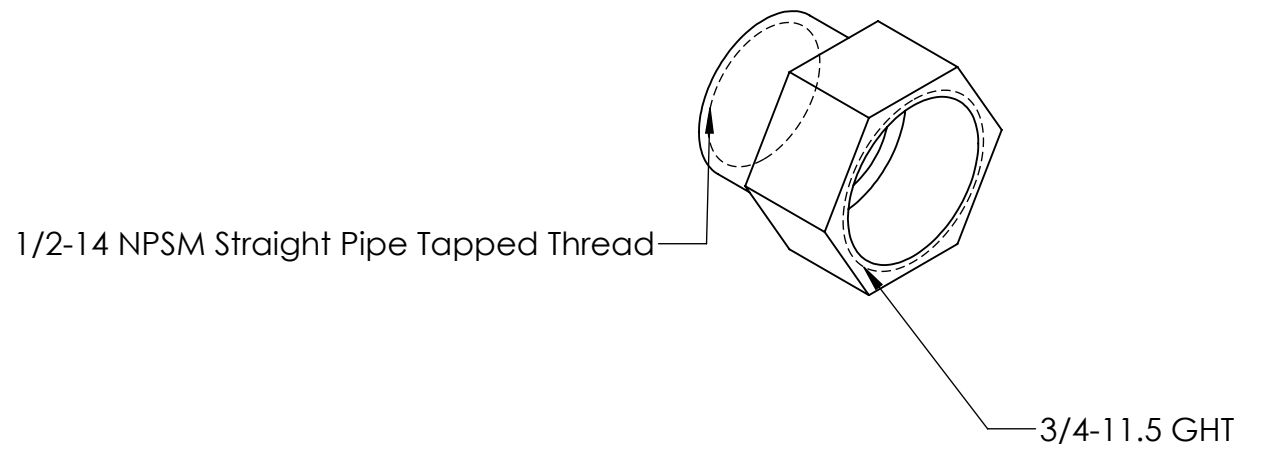
2

1

REVISIONS				
ZONE	REV.	DESCRIPTION	DATE	APPROVED
	A	CREATED NEW DRAWING	2/25/2016	KD

B

B



A

A

NOTES:
 1. WATTS # LFA-672 ADAPTER (3/4IN FH X 1/2 IN FIP)

PROPRIETARY AND CONFIDENTIAL
 THE INFORMATION CONTAINED IN THIS DRAWING IS THE SOLE PROPERTY OF <INSERT COMPANY NAME HERE>. ANY REPRODUCTION IN PART OR AS A WHOLE WITHOUT THE WRITTEN PERMISSION OF <INSERT COMPANY NAME HERE> IS PROHIBITED.

		UNLESS OTHERWISE SPECIFIED:	NAME	DATE	TITLE: 3/4" Hose to 1/2" Copper Adapter SIZE DWG. NO. REV B WS-107 A SCALE: 2:1 WEIGHT: SHEET 1 OF 1	
		DIMENSIONS ARE IN METERS	DRAWN	KD		2/25/16
		TOLERANCES:	CHECKED			
		X ± 1	ENG APPR.			
		.X ± .1	MFG APPR.			
		.XX ± .01	Q.A.			
		.XXX ± .005	COMMENTS:			
		ANGLES ± .5°				
		INTERPRET GEOMETRIC TOLERANCING PER:				
		MATERIAL				
		BRASS				
NEXT ASSY	USED ON	FINISH				
APPLICATION		DO NOT SCALE DRAWING				

4

3

2

1