

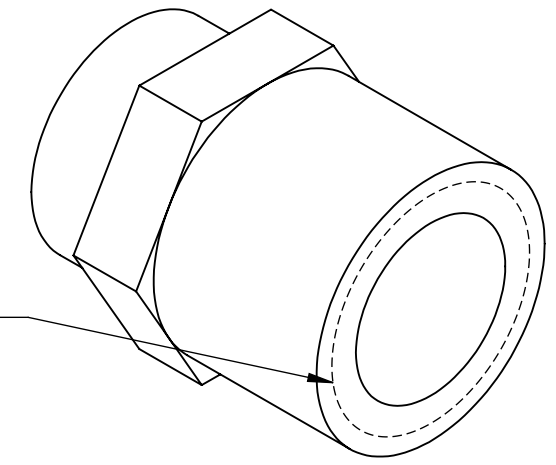
4

3

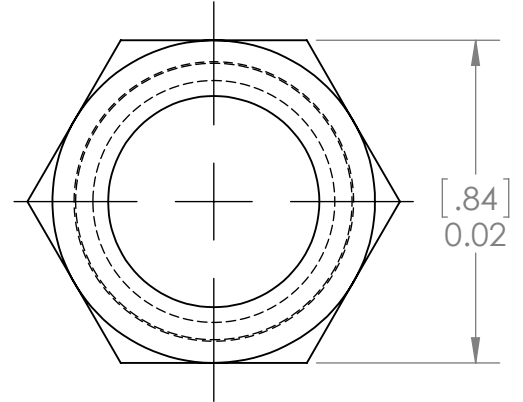
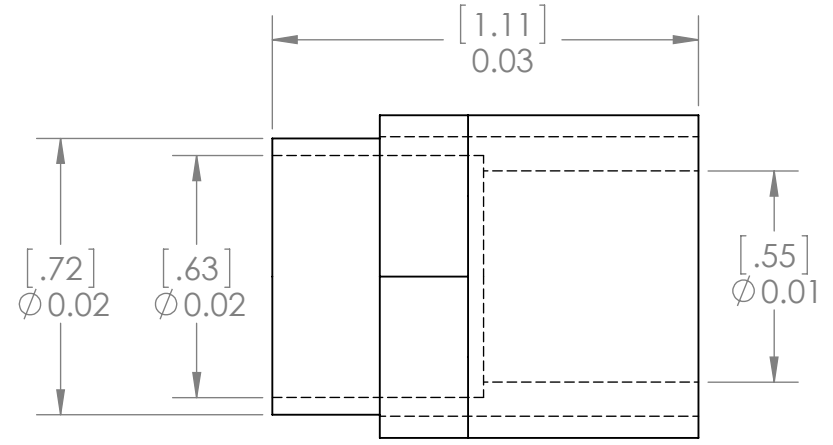
2

1

REVISIONS				
ZONE	REV.	DESCRIPTION	DATE	APPROVED
	A	CREATED NEW DRAWING	2/25/2016	KD



1/2-14 NPSM Straight Pipe Tapped Thread



NOTES:
1. MODEL # C604HD12 FROM HOME DEPOT

PROPRIETARY AND CONFIDENTIAL
THE INFORMATION CONTAINED IN THIS DRAWING IS THE SOLE PROPERTY OF <INSERT COMPANY NAME HERE>. ANY REPRODUCTION IN PART OR AS A WHOLE WITHOUT THE WRITTEN PERMISSION OF <INSERT COMPANY NAME HERE> IS PROHIBITED.

		UNLESS OTHERWISE SPECIFIED: DIMENSIONS ARE IN METERS TOLERANCES: X ± 1 .X ± .1 .XX ± .01 .XXX ± .005 ANGLES ± .5°	NAME	DATE		
		INTERPRET GEOMETRIC TOLERANCING PER:	DRAWN	KD	2/25/16	TITLE: 1/2" Male Adapter
		MATERIAL COPPER	CHECKED			
		FINISH	ENG APPR.			
NEXT ASSY	USED ON		MFG APPR.			
APPLICATION		DO NOT SCALE DRAWING	Q.A.			
			COMMENTS:		SIZE	DWG. NO.
					B	WS-108
					SCALE: 2:1	WEIGHT:
					SHEET 1 OF 1	
					REV	A

4

3

2

1

B

B

A

A