

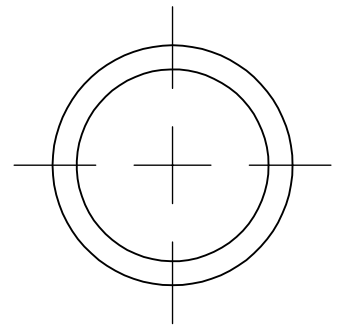
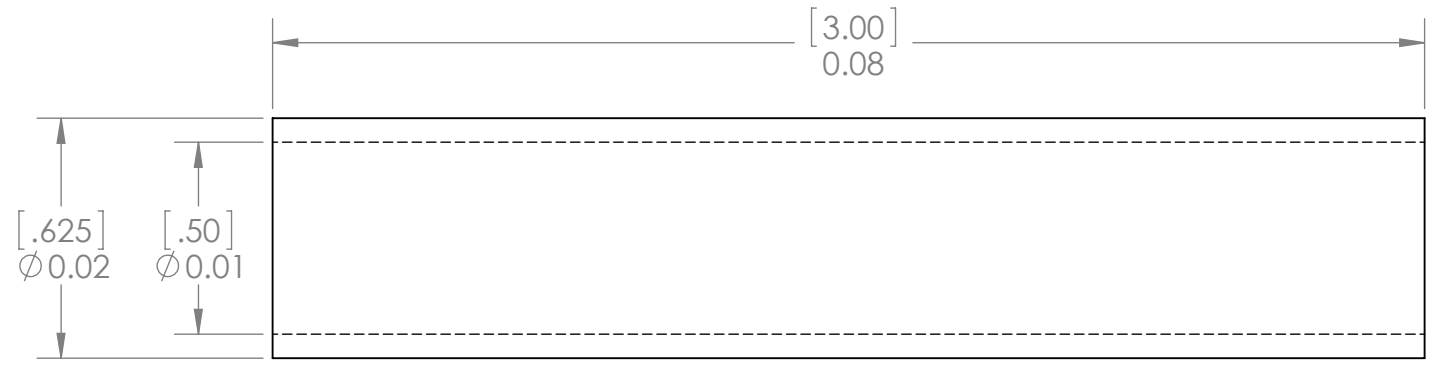
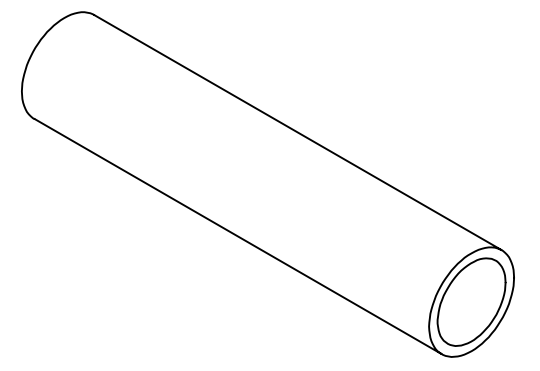
4

3

2

1

REVISIONS				
ZONE	REV.	DESCRIPTION	DATE	APPROVED
	A	CREATED NEW DRAWING	2/25/2016	KD



NOTES:
1. 1/2" TYPE L COPPER PIPE

PROPRIETARY AND CONFIDENTIAL
THE INFORMATION CONTAINED IN THIS DRAWING IS THE SOLE PROPERTY OF <INSERT COMPANY NAME HERE>. ANY REPRODUCTION IN PART OR AS A WHOLE WITHOUT THE WRITTEN PERMISSION OF <INSERT COMPANY NAME HERE> IS PROHIBITED.

		UNLESS OTHERWISE SPECIFIED:	NAME	DATE		
		DIMENSIONS ARE IN INCHES	DRAWN	KD	2/25/16	TITLE: 1/2" Copper Pipe
		TOLERANCES: FRACTIONAL ± ANGULAR: MACH ± BEND ± TWO PLACE DECIMAL ± THREE PLACE DECIMAL ±	CHECKED			
		INTERPRET GEOMETRIC TOLERANCING PER:	ENG APPR.			
		MATERIAL COPPER	MFG APPR.			
NEXT ASSY	USED ON	FINISH	Q.A.	COMMENTS:		SIZE B
APPLICATION		DO NOT SCALE DRAWING				DWG. NO. WS-109
						REV A
						SCALE: 1:1
						WEIGHT:
						SHEET 1 OF 1

4

3

2

1

B

B

A

A