

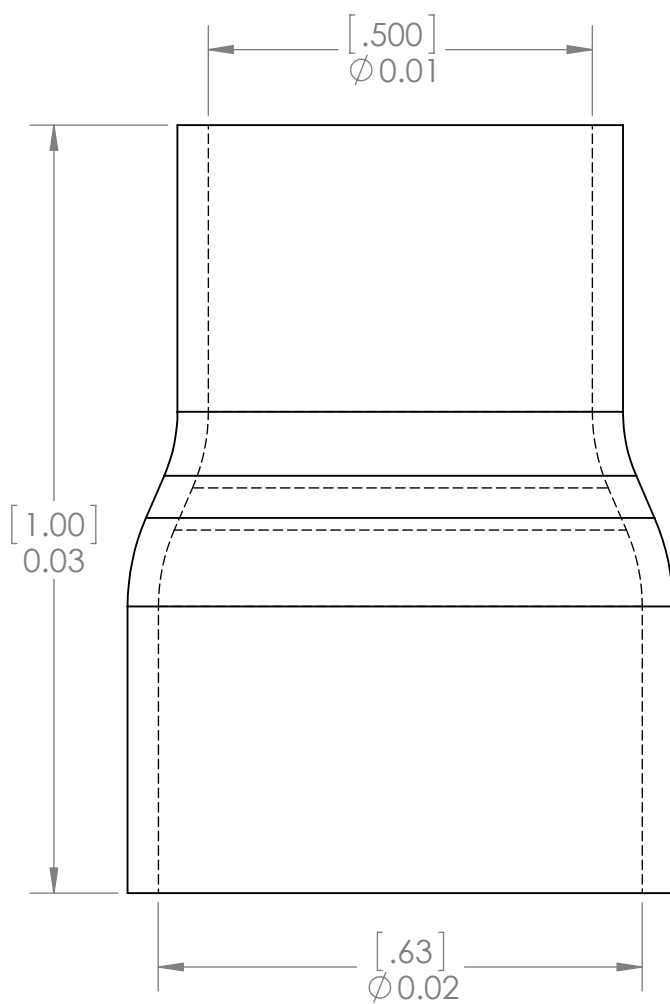
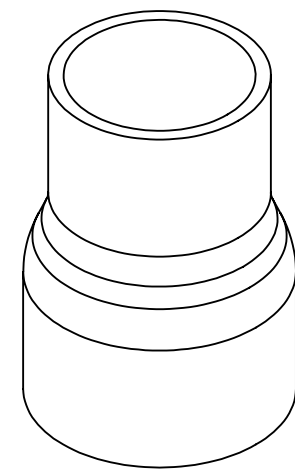
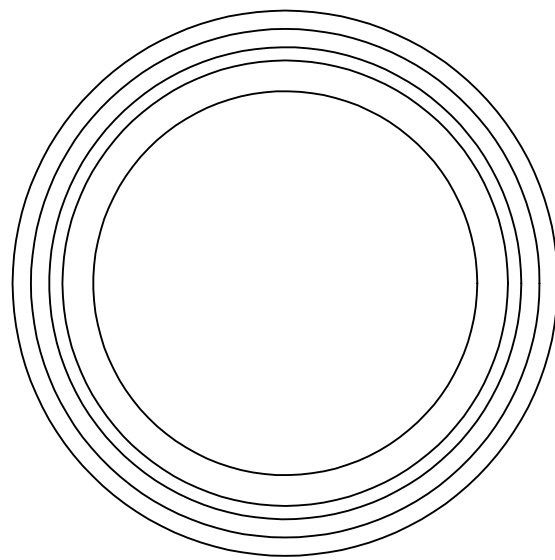
4

3

2

1

REVISIONS				
ZONE	REV.	DESCRIPTION	DATE	APPROVED
	A	CREATED NEW DRAWING	2/25/2016	KD



NOTES:
 1. MODEL # C600HD21238 FROM HOME DEPOT

PROPRIETARY AND CONFIDENTIAL
 THE INFORMATION CONTAINED IN THIS DRAWING IS THE SOLE PROPERTY OF <INSERT COMPANY NAME HERE>. ANY REPRODUCTION IN PART OR AS A WHOLE WITHOUT THE WRITTEN PERMISSION OF <INSERT COMPANY NAME HERE> IS PROHIBITED.

		UNLESS OTHERWISE SPECIFIED:	NAME	DATE		
		DIMENSIONS ARE IN METERS	DRAWN	KD	2/25/16	TITLE: 1/2" to 3/8" Reducer
		TOLERANCES:	CHECKED			
		X ± 1	ENG APPR.			
		.X ± .1	MFG APPR.			
		.XX ± .01	Q.A.			
		.XXX ± .005	COMMENTS:			
		ANGLES ± .5°				
		INTERPRET GEOMETRIC TOLERANCING PER:				
		MATERIAL				
		COPPER				
NEXT ASSY	USED ON	FINISH				
APPLICATION		DO NOT SCALE DRAWING				
SIZE	DWG. NO.	REV				
B	WS-110	A				
SCALE: 2:1	WEIGHT:	SHEET 1 OF 1				

4

3

2

1

B

B

A

A