

4

3

2

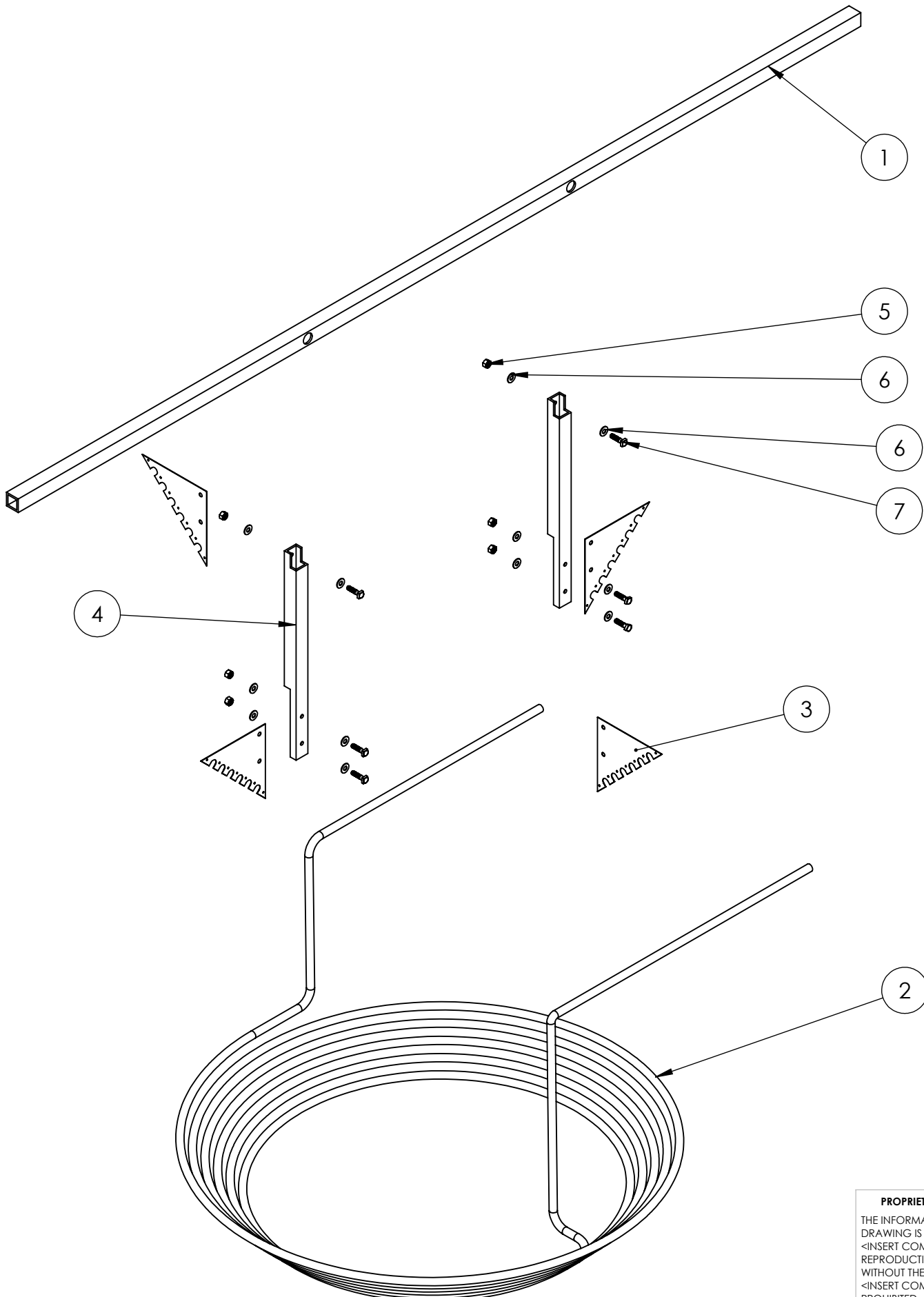
1

B

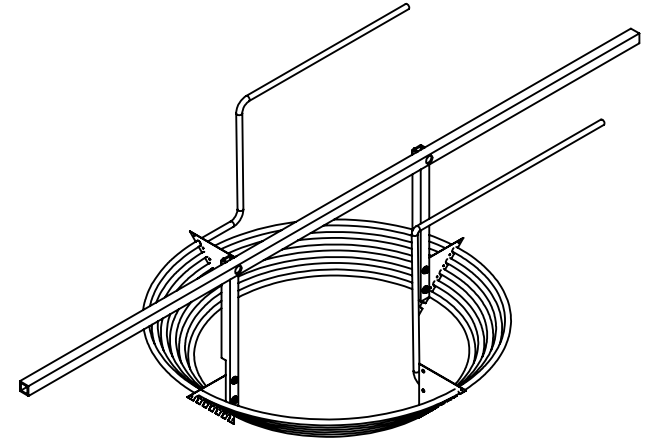
B

A

A



REVISIONS				
ZONE	REV.	DESCRIPTION	DATE	APPROVED
	A	CREATED NEW DRAWING	12/7/2016	KD
	B	UPDATED ALL PARTS TO CURRENT SPECS	4/11/2016	KD



ITEM NO.	PART NUMBER	DESCRIPTION	Quantity
1	WS-201	SQUARE SUPPORT PIPE	1
2	WS-202	HEAT EXCHANGER COIL	1
3	WS-203	COIL SUPPORT	4
4	WS-204	SUSPENSION BAR	2
5	WS-304	1/4" NUT	6
6	WS-305	1/4" WASHER	12
7	WS-308	1/4" BOLT	6

NOTES:
 1. USE .1" COPPER WIRE (OR SMALLER) TO CONNECT COIL TO COIL SUPPORTS

PROPRIETARY AND CONFIDENTIAL
 THE INFORMATION CONTAINED IN THIS DRAWING IS THE SOLE PROPERTY OF <INSERT COMPANY NAME HERE>. ANY REPRODUCTION IN PART OR AS A WHOLE WITHOUT THE WRITTEN PERMISSION OF <INSERT COMPANY NAME HERE> IS PROHIBITED.

UNLESS OTHERWISE SPECIFIED:		NAME	DATE
DIMENSIONS ARE IN METERS		DRAWN	KD 12/7/16
TOLERANCES:		CHECKED	
X	± 1	ENG APPR.	
.X	± .1	MFG APPR.	
.XX	± .01	Q.A.	
.XXX	± .005	COMMENTS:	
ANGLES	± .5°		
INTERPRET GEOMETRIC TOLERANCING PER:			
MATERIAL			
FINISH			
NEXT ASSY	USED ON		
APPLICATION	DO NOT SCALE DRAWING		

TITLE:
HEAT EXCHANGER ASSEMBLY

SIZE **B** DWG. NO. **WS-200** REV **B**

SCALE: 1:24 WEIGHT: SHEET 1 OF 1

4

3

2

1